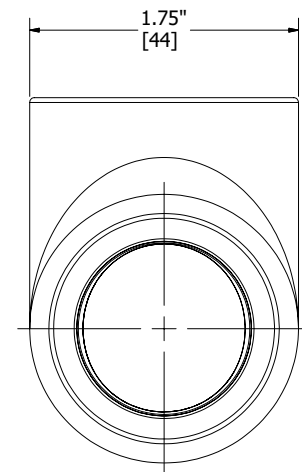


1" "C"  
WET LOCATIONS  
TYPE 4X

1" NPT  
(2 PLACES)



CATALOG NUMBER	C38SS
<small>THIS DOCUMENT IS THE PROPERTY OF KILLARK. IT IS LOANED TO YOU AND MUST NOT BE USED IN ANY WAY DETRIMENTAL TO THE INTEREST OF KILLARK.</small>	