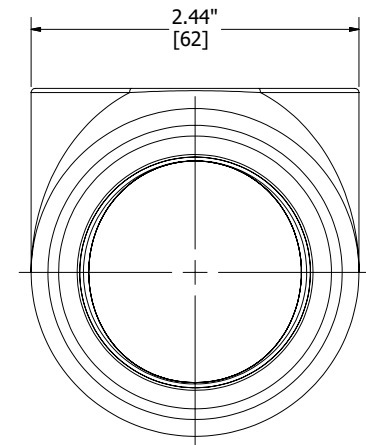


1 1/2" NPT
(2 PLACES)



CATALOG NUMBER

C58SS



THIS DOCUMENT IS THE PROPERTY OF KILLARK.
IT IS LOANED TO YOU AND MUST NOT BE USED
IN ANY WAY DETRIMENTAL TO THE INTEREST
OF KILLARK.