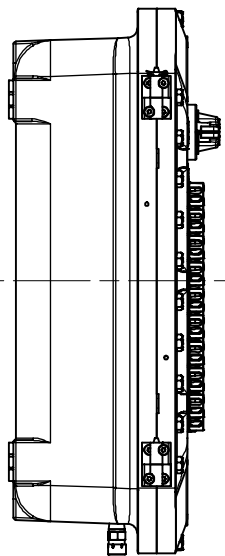
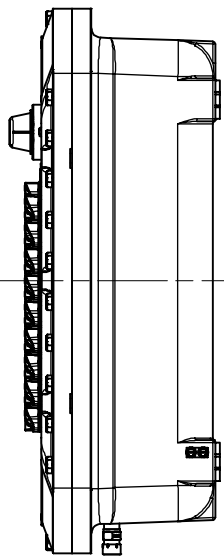
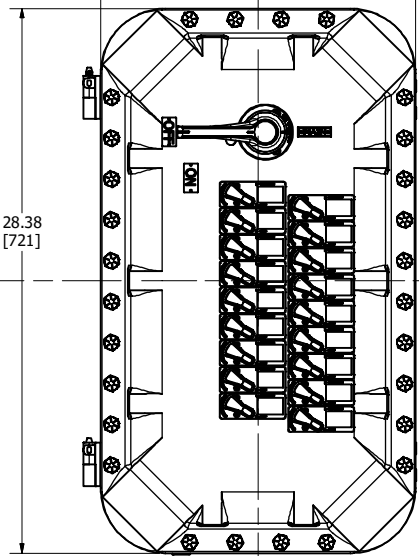


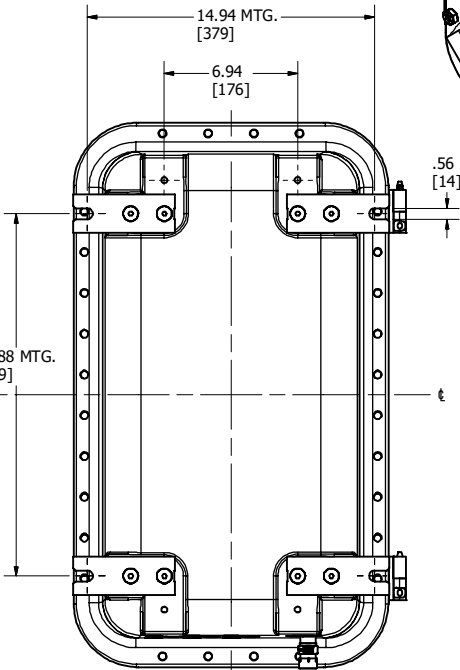
16.38
[416]



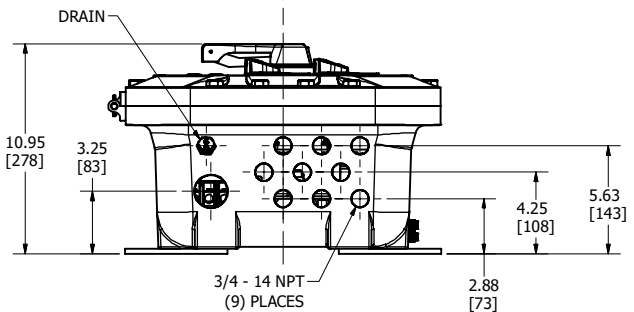
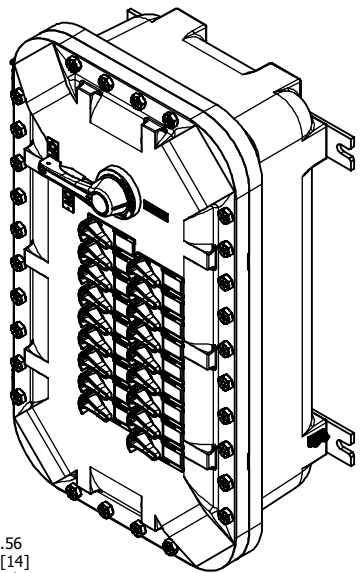
28.38
[721]



18.88 MTG.
[479]



MOUNTING FEET



10.95
[278]

3.25
[83]

4.25
[108]

5.63
[143]

3/4 - 14 NPT
(9) PLACES

2.88
[73]

DESCRIPTION	EXBLI 18CT MB
 KILLARK	<small>THIS DOCUMENT IS THE PROPERTY OF KILLARK. IT IS LOANED TO YOU AND MUST NOT BE USED IN ANY WAY DETRIMENTAL TO THE INTEREST OF KILLARK.</small>