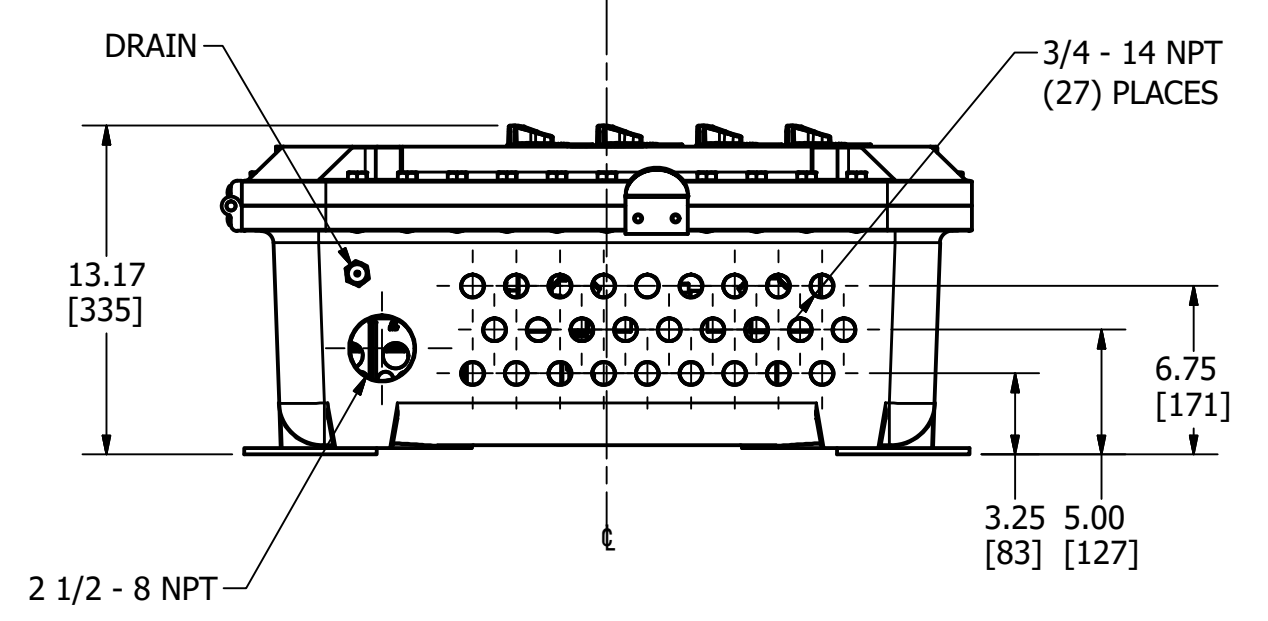
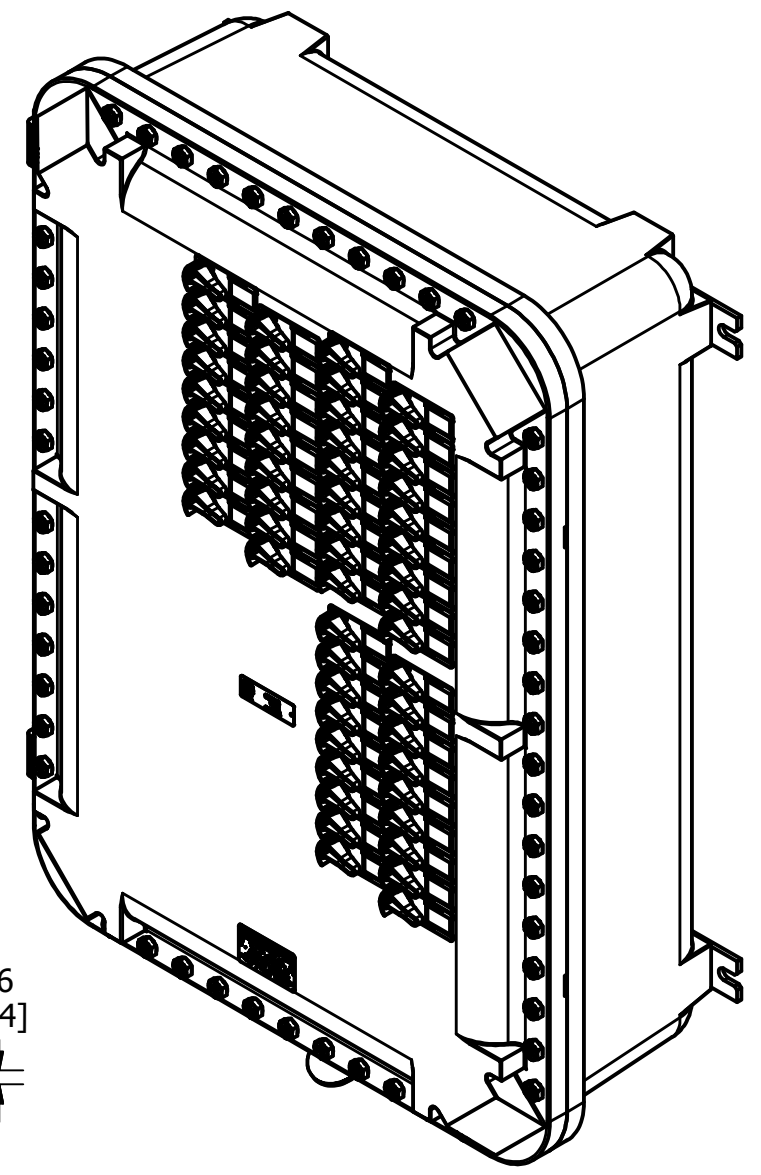


MOUNTING FEET



DESCRIPTION	EXBLI 54CT ML
 KILLARK	THIS DOCUMENT IS THE PROPERTY OF KILLARK. IT IS LOANED TO YOU AND MUST NOT BE USED IN ANY WAY DETRIMENTAL TO THE INTEREST OF KILLARK.