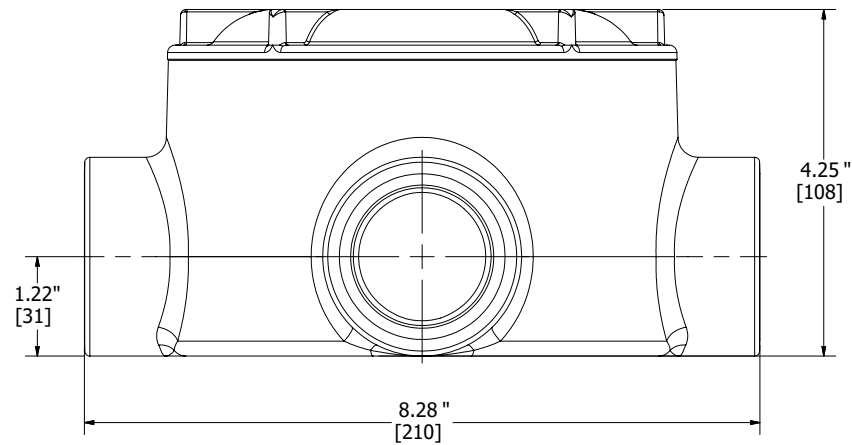
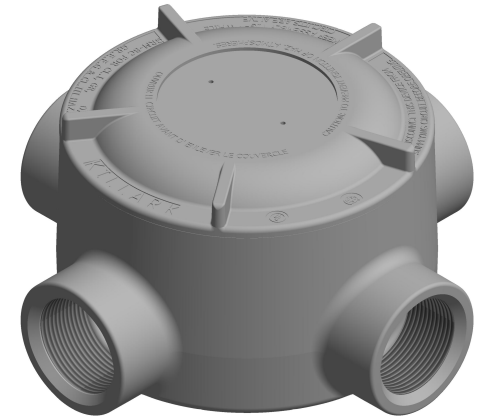
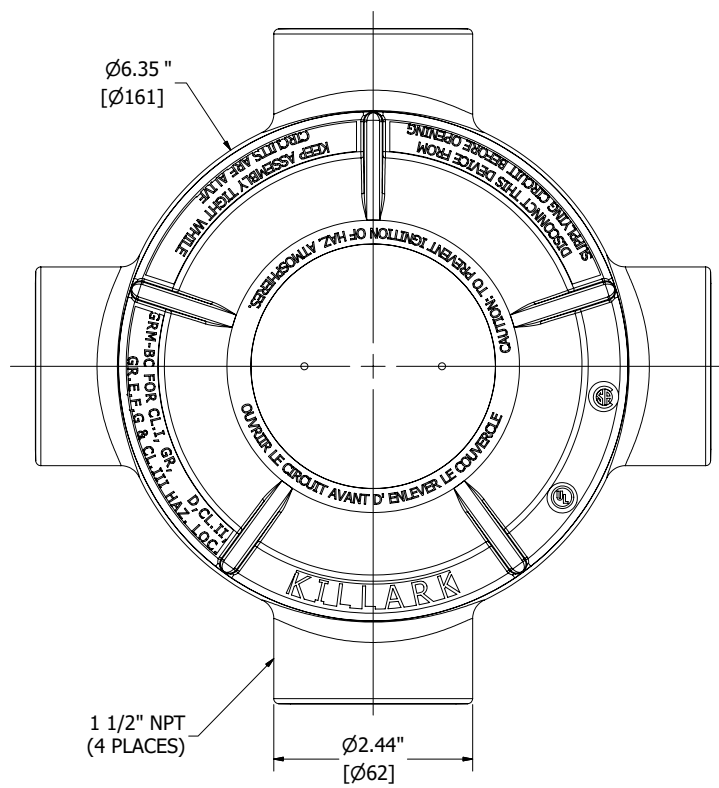


8.28"
[210]



CATALOG NUMBER	GEJXT-5M
	
<small>THIS DOCUMENT IS THE PROPERTY OF KILLARK. IT IS LOANED TO YOU AND MUST NOT BE USED IN ANY WAY DETRIMENTAL TO THE INTEREST OF KILLARK.</small>	