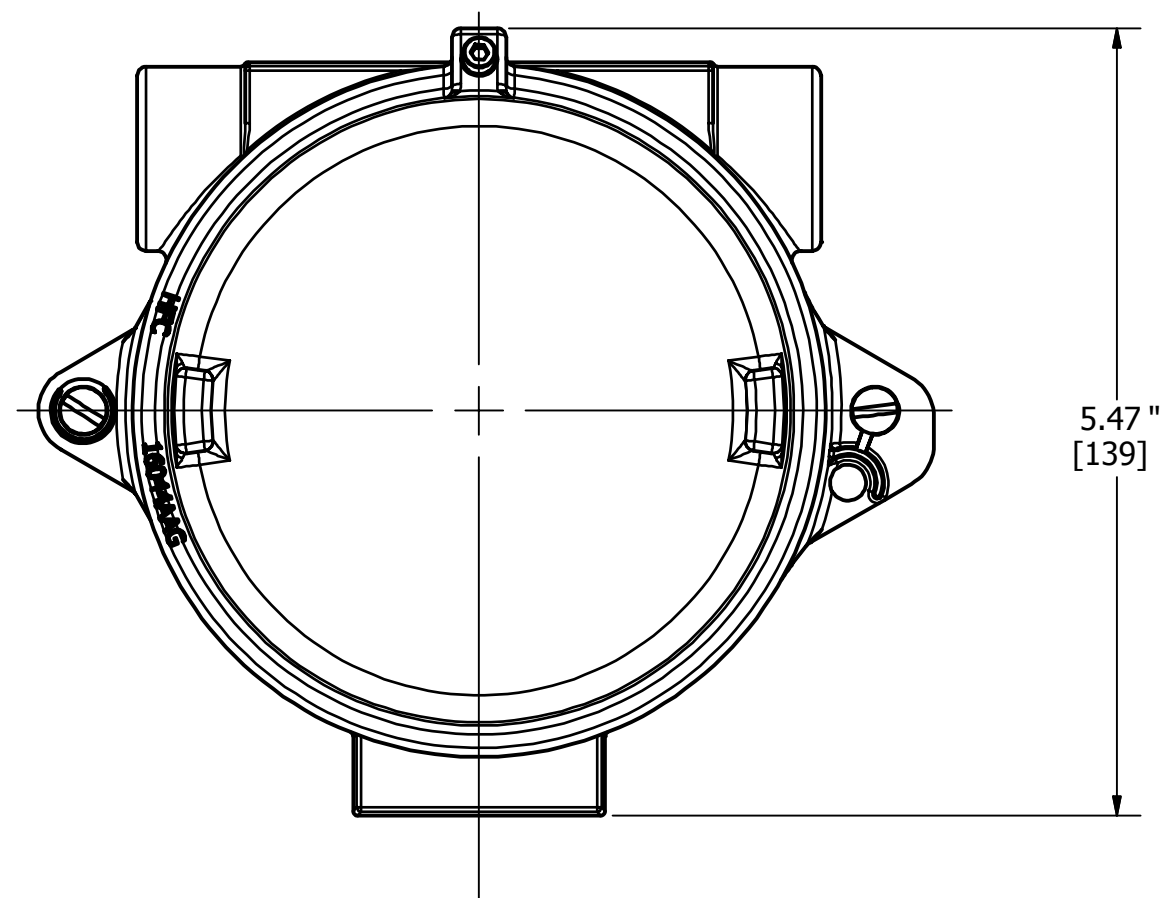
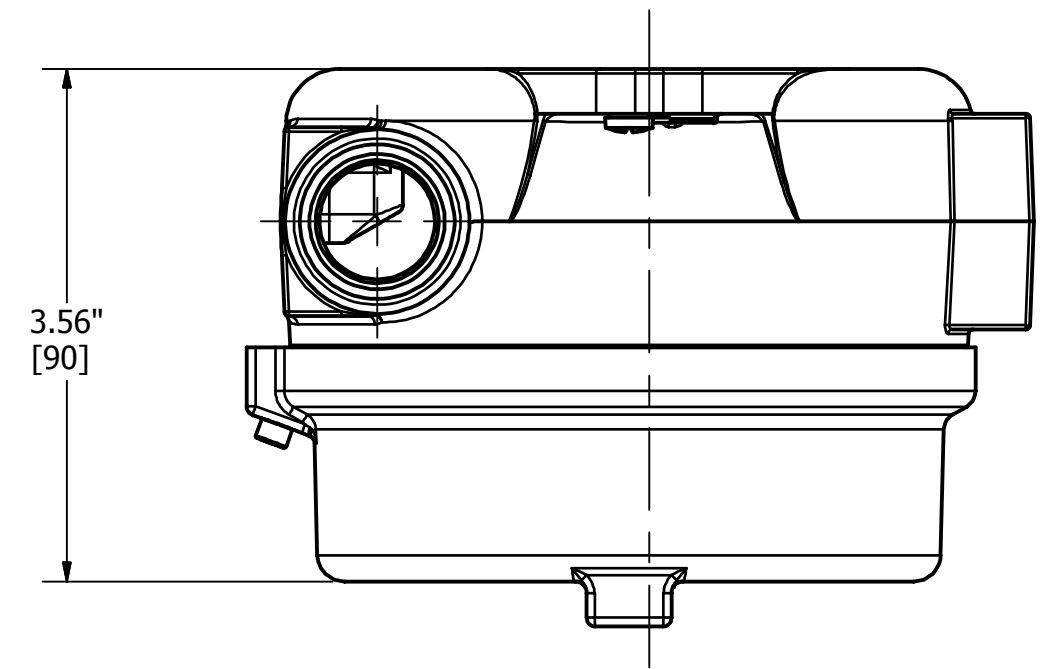
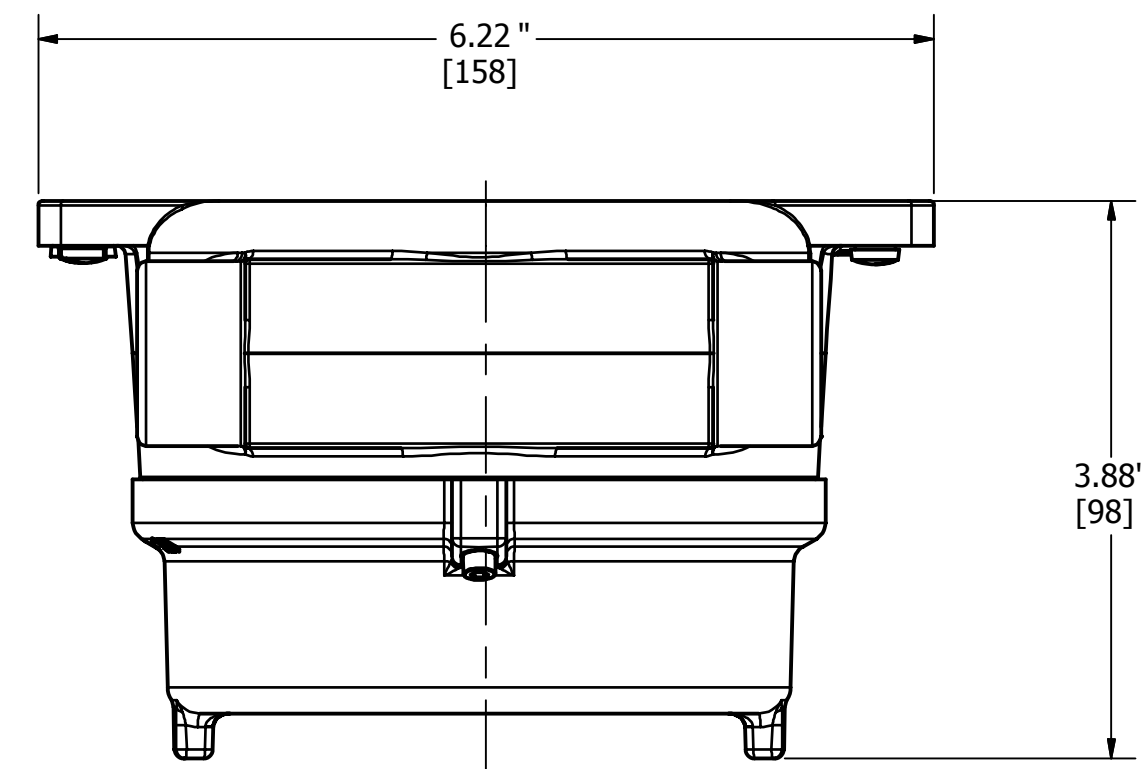
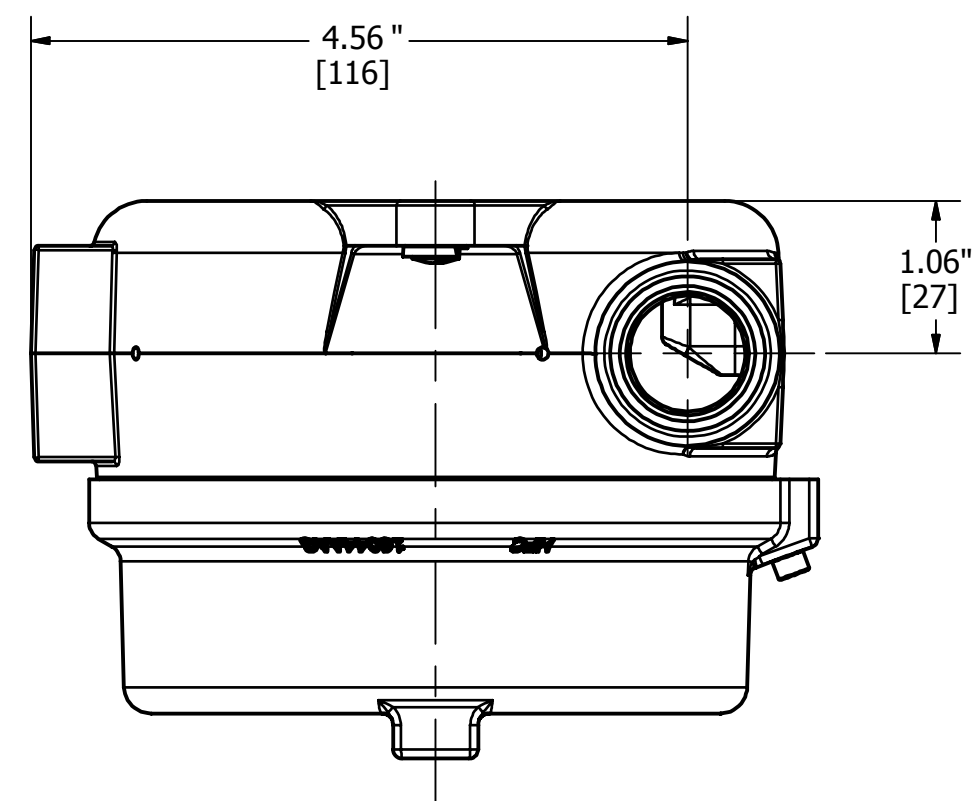
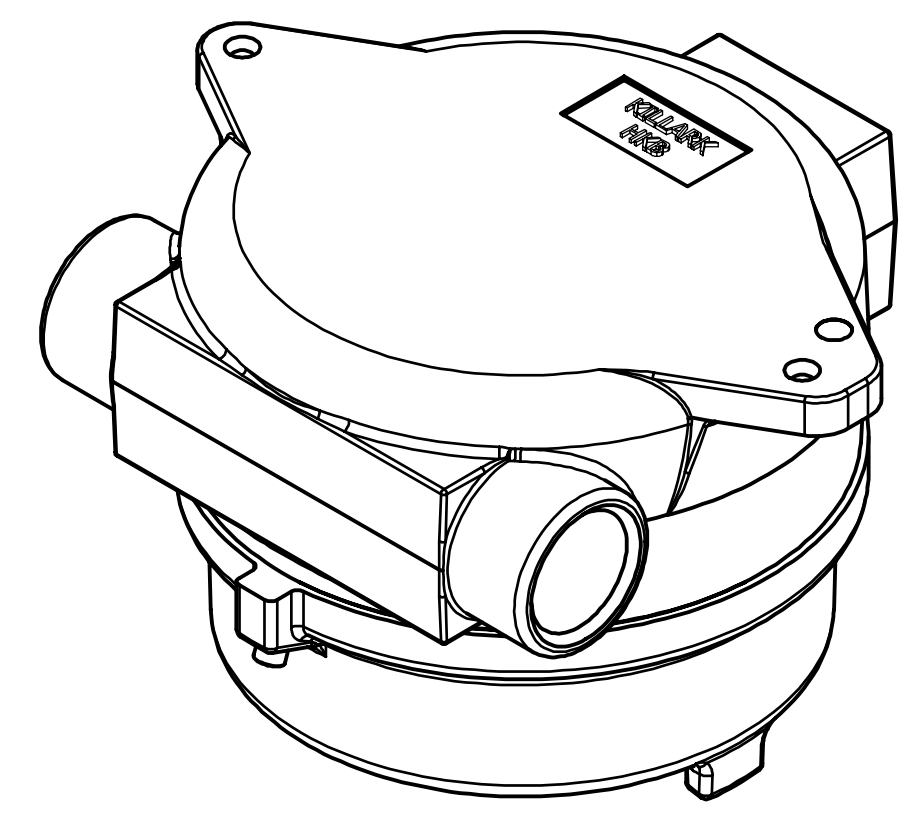
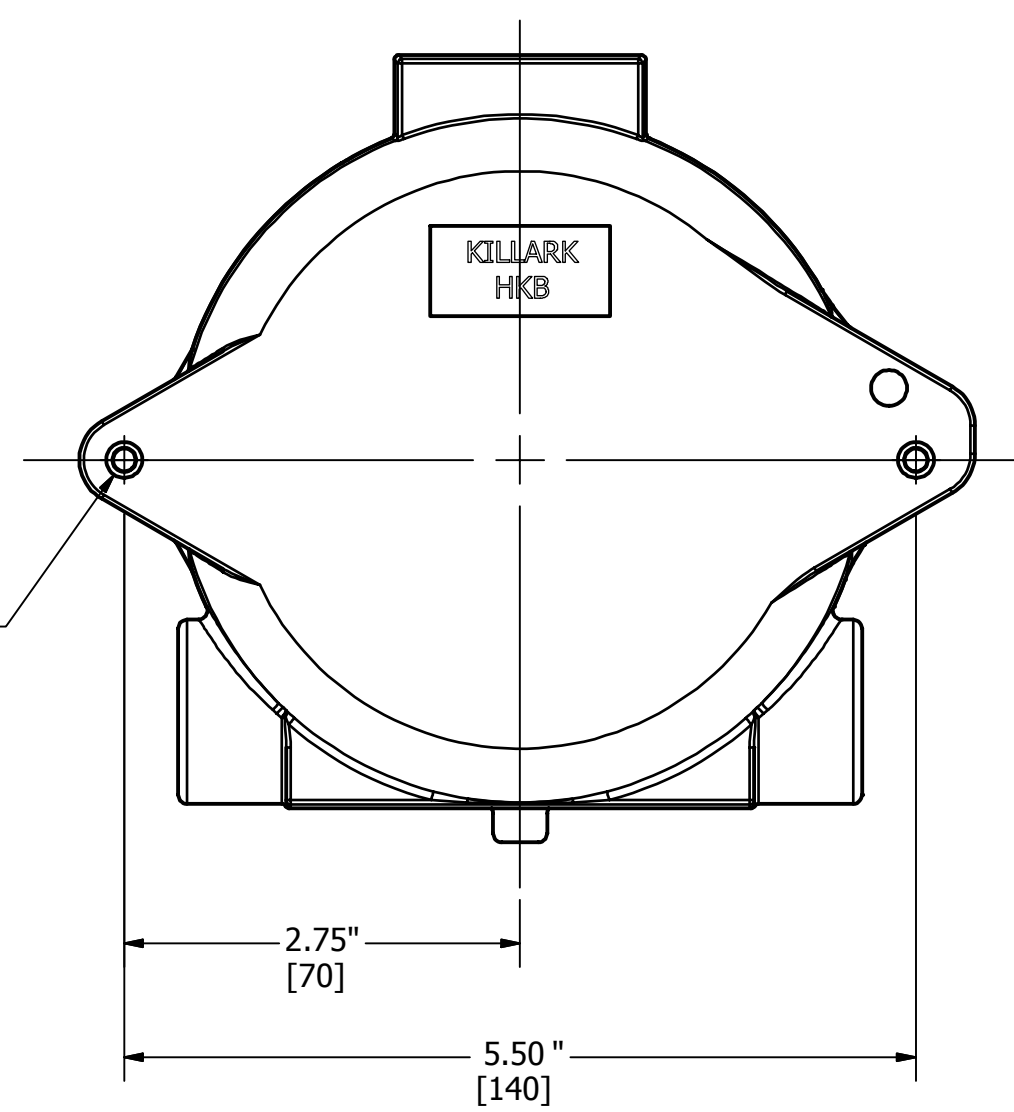


Ø.25"  
[Ø6]  
(2 PLACES)



DESCRIPTION	HKB-BC
 <b>KILLARK</b>	<small>THIS DOCUMENT IS THE PROPERTY OF KILLARK. IT IS LOANED TO YOU AND MUST NOT BE USED IN ANY WAY DETRIMENTAL TO THE INTEREST OF KILLARK.</small>