

4

3

2

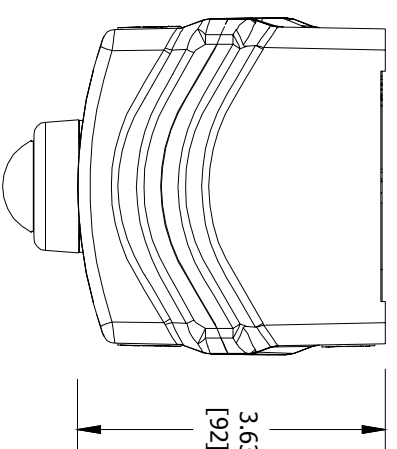
1

ENCLOSURE INFORMATION	
P/N:	DESCRIPTION:
23196CBAM	BOX PLASTIC 1q, 3/4 NPT BOTTOM
23198BAAB	COVER PLASTIC HKH 1q, SINGLE DEVICE
23203AAMB	ASSY, DIN RAIL HKH 1 TIER

PILOT LIGHT RATINGS:
LIGHT EMITTING DIODE
12-254 VAC/DC LED
0.6WTERMINALS RATED FOR 1-2 CONDUCTORS
#22-10 AWG. (0.5-4mm²)

D

DEVICE 1 ASSEMBLY (1F)	
P/N:	DESCRIPTION:
HKHPLR	PILOT LIGHT RED LENS ASSEMBLY
23225AAMB	Blank
LOCKOUT ACQ:	N/A
CONTACT 1:	PILOT LIGHT MOD. DM



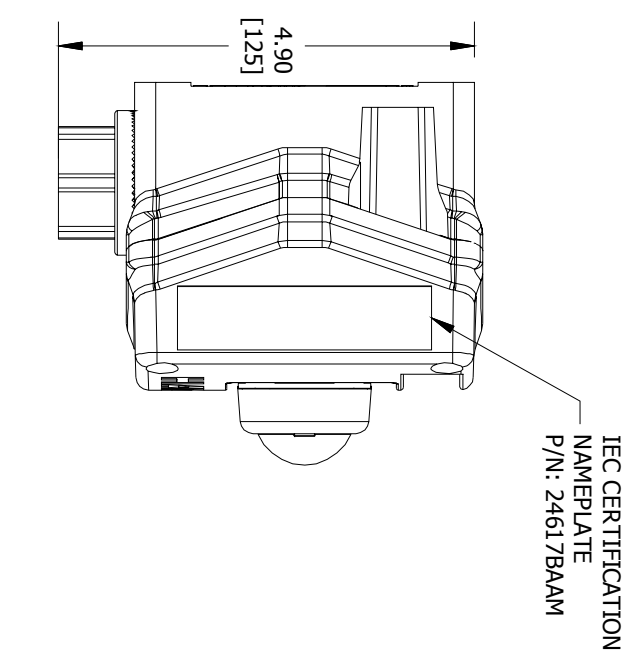
TOP VIEW

 Harsh & Hazardous WWW.HARSHANDHAZARDOUS.COM	CAT. NO. HKHMOD Series	DATE CODE 5/N ST. LOUIS, MO 63113
	INDUSTRIAL CONTROL EQUIPMENT FOR USE IN ZONE CLASSIFIED HAZ. LOCs. CLASS I, ZONE 1, AEx de IIC T6..T4 Gb CLASS II, DIV 2, GRP. A, B, C, D; CLASS II, DIV 1, GRP. E, F, G (CANADA ONLY) CLASS III, TYPE 3/4/4X/12/13; -50°C STAs+60°C SEE IOM FORM KI466 FOR ELECTRICAL RATINGS.	FOR T-CODES AND FOR ELECTRICAL RATINGS. SEE IOM FORM KI466 & KI470 ST. LOUIS, MO 63113

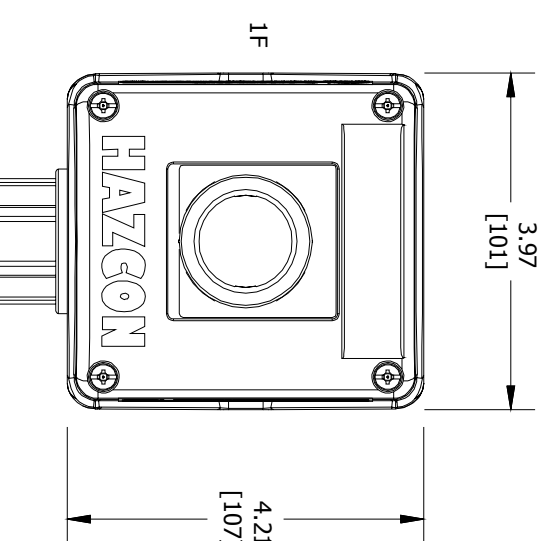
HKHMOD Series

INDUSTRIAL CONTROL EQUIPMENT FOR USE IN ZONE CLASSIFIED HAZ. LOCs.
CLASS I, ZONE 1, AEx de IIC T6..T4 Gb; Ex de IIC T6..T4 Gb
CLASS II, DIV 2, GRP. A, B, C, D; CLASS II, DIV 1, GRP. E, F, G (CANADA ONLY)
CLASS III, TYPE 3/4/4X/12/13; -50°C STAs+60°C
SEE IOM FORM KI466 FOR ELECTRICAL RATINGS.

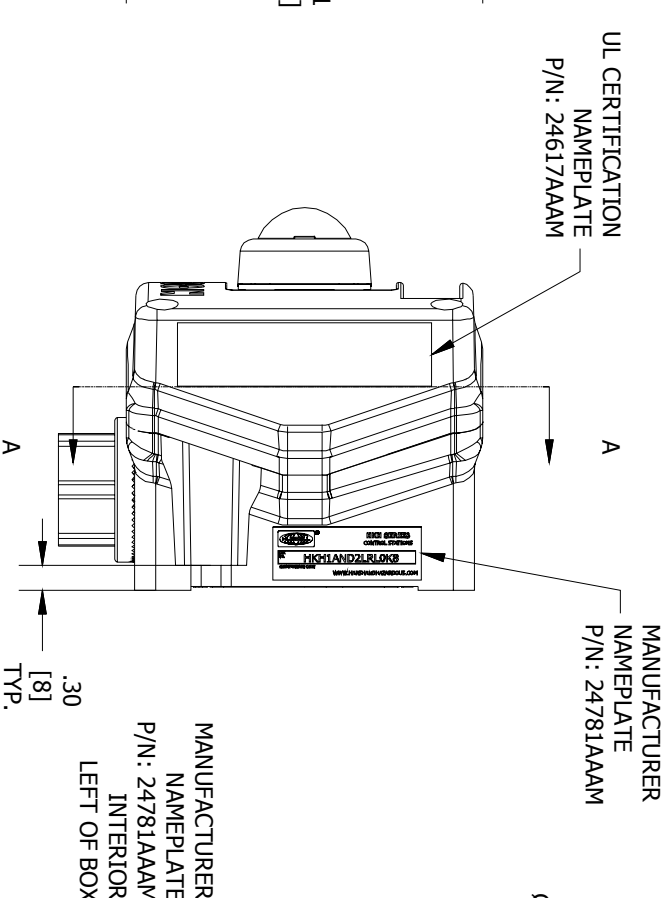
CERTIFICATION NAME PLATES



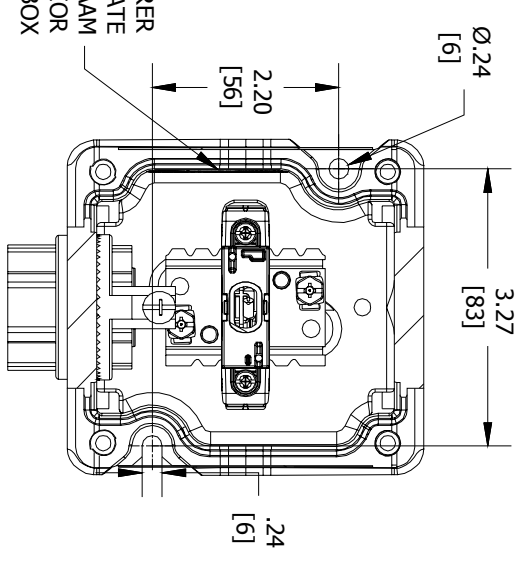
LEFT SIDE VIEW



FRONT VIEW



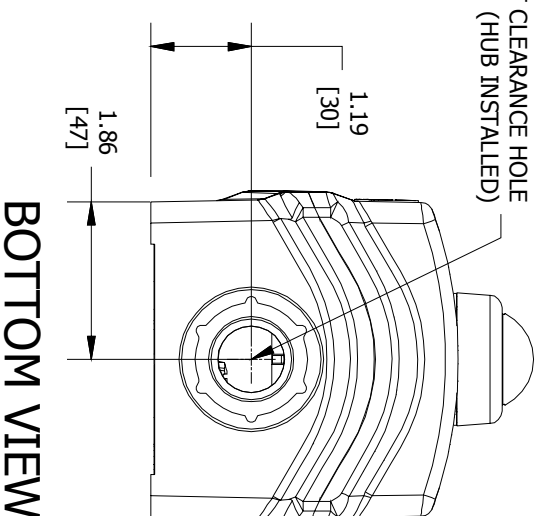
RIGHT SIDE VIEW



SECTION A-A VIEW

B

B



BOTTOM VIEW

ENTRY HUB/GLAND SELECTION CHART*

ENTRY NO.	HUB/GLAND:
ENTRY 1	K8; WH-2SSG

*HUBS & CABLE GLANDS ARE SHIPPED WITH ENCLOSURE

COMMENT:

SGN:

DATE:

ACCEPTANCE:

DRAWN BY:

DATE:

DWG NUMBER:

A

CODE 1: APPROVED (NO COMMENTS)

CODE 2: APPROVED FOR MANUFACTURING

CODE 3: NOT APPROVED RE-SUBMIT

CODE 4: FOR INFORMATION ONLY

TITLE:

07-27-2016

SALES/QUOTE NO.:

A

WITH COMMENTS TO BE INCORPORATED

WITH COMMENTS TO BE INCORPORATED

WITH COMMENTS TO BE INCORPORATED

WITH COMMENTS TO BE INCORPORATED

WITH COMMENTS TO BE INCORPORATED

WITH COMMENTS TO BE INCORPORATED

WITH COMMENTS TO BE INCORPORATED

A



MFG. NAME PLATE (REF.)

REVISION



KILLARK

THIS DOCUMENT IS THE PROPERTY OF HUBBELL - KILLARK. IT IS LOANED TO YOU AND MUST NOT BE USED IN ANY WAY DETRIMENTAL TO THE INTEREST HUBBELL - KILLARK.

HKH MODIFIED ENCLOSURE (HKH1AND2LRL0K8)

SHEET 1 OF 1

A

A

4

3

2

1