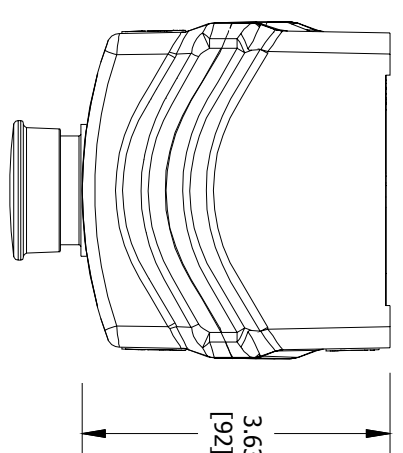


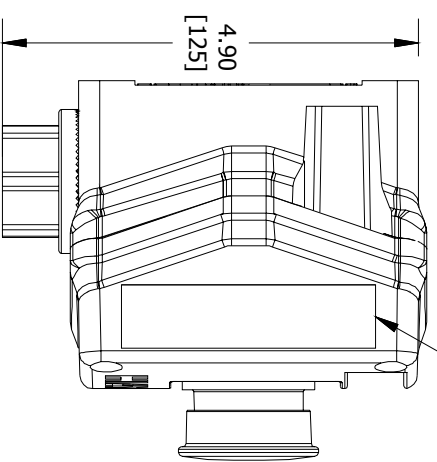
ENCLOSURE INFORMATION	
P/N:	DESCRIPTION:
23196CBAM	BOX PLASTIC 1q, 3/4 NPT BOTTOM
23193BAAB	COVER PLASTIC HKH 1q, SINGLE DEVICE
23203AAMB	ASSY, DIN RAIL HKH 1 TIER
MOUNT METHOD:	
	AC690V 16A AC-12
	AC230V 16A AC-15
	50-60HZ
	DC60V 5A DC-13
	TERMINALS RATED FOR 1-2 CONDUCTORS
	#22-10 AWG. (0.5-4mm ²)
P/N:	DESCRIPTION:
HKHPBPTMR	MAINTAINED PUSH PULL MUSHROOM HD, RED
23225TAAB	EMERGENCY STOP
LOCKOUT ACY:	N/A
CONTACT 1:	CONTACT BLCK, FACT SEALED N.O. DRM, 20A
CONTACT 2:	CONTACT BLCK, FACT SEALED N.C. DRM, 20A

CONTACT BLOCK RATINGS:
690 VAC, 20A, 50-60
60 VDC, 5A, 110VDC, 1.5A

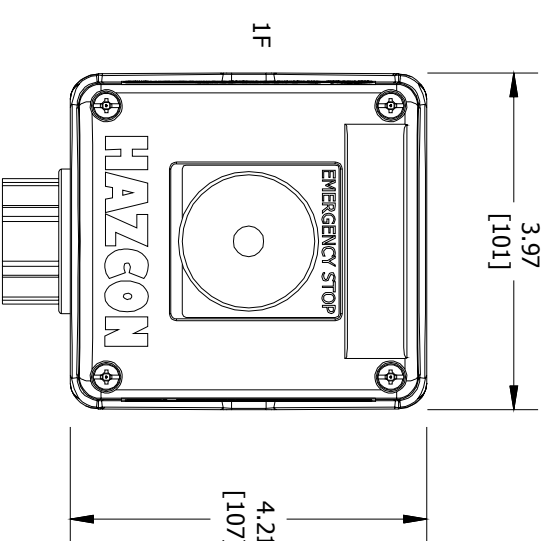
1/2 HP @ 120 VAC, 1 HP @ 208/240/277VAC
NEMA A600/P600 - PILOT DUTY
350VAC, 20A - TUNGSTEN
AC690V 16A AC-12
AC230V 16A AC-15
50-60HZ
DC60V 5A DC-13
TERMINALS RATED FOR 1-2 CONDUCTORS
#22-10 AWG. (0.5-4mm²)



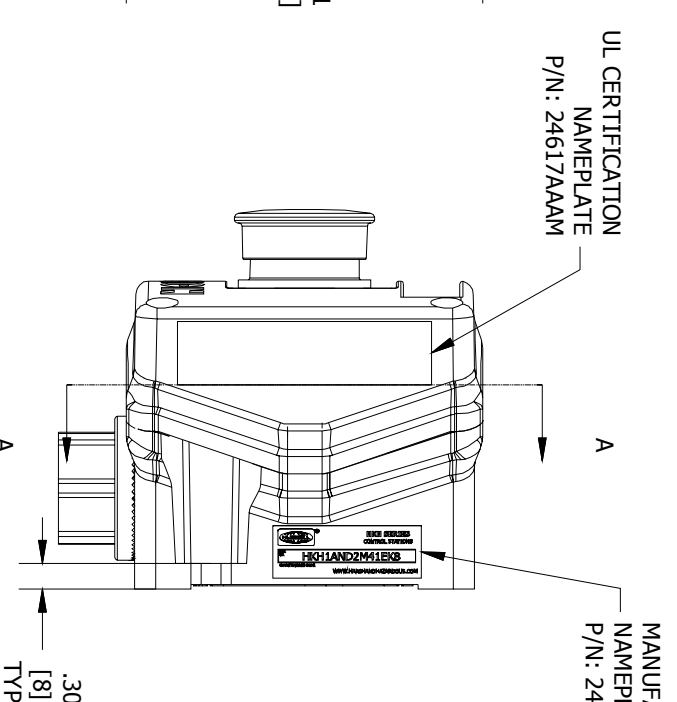
TOP VIEW



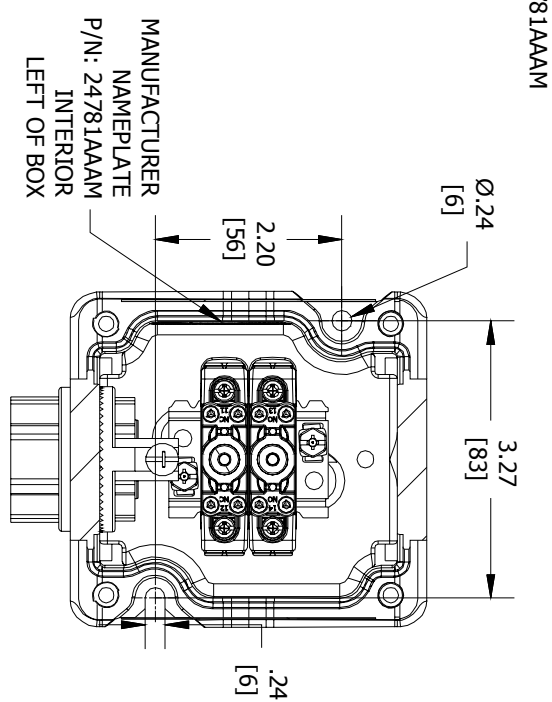
LEFT SIDE VIEW



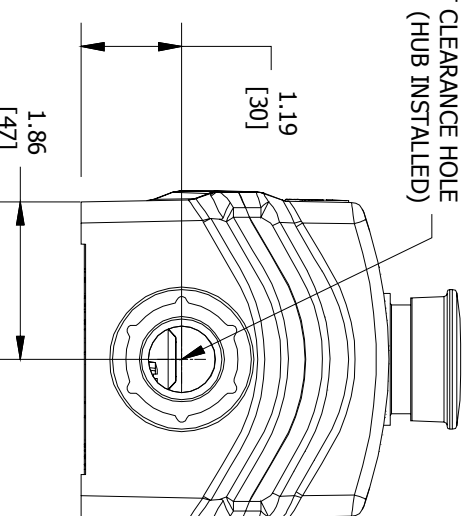
FRONT VIEW



RIGHT SIDE VIEW



SECTION A-A VIEW



BOTTOM VIEW

 Harsh & Hazardous www.harshandhazardous.com	CAT. NO. HKHMOD Series	DATE CODE S/N ST. LOUIS, MO 63113
	CAT. NO. HKHMOD Series	DATE CODE S/N ST. LOUIS, MO 63113
INDUSTRIAL CONTROL EQUIPMENT FOR USE IN ZONE CLASSIFIED HAZ. LOCS. CLASS I, ZONE 1, AEX de IIC T6..T4 Gb; Ex de IIC T6..T4 Gb CLASS II, DIV 2, GRPS. A, B, C, D; CLASS III, DIV 1, GRPS. E, F, G (CANADA ONLY) CLASS III, TYPE 3/4/4X/12/13; -50°C ≤Tas+60°C		
SEE IOM FORM KI466 FOR ELECTRICAL RATINGS.		

CERTIFICATION NAME PLATES

COMMENT:	SGN:	DATE:	ACCEPTANCE:	DRAWN BY:	DATE:	DWG NUMBER:	ENTRY NO.	HUB/GLAND:	ENTRY 1	K8: WH-255G	ITEM:
			CODE 1: APPROVED (NO COMMENTS)	PR	08/03/2016	HKH1AND2M41EK8					N/A
			CODE 2: APPROVED FOR MANUFACTURING WITH COMMENTS TO BE INCORPORATED								
			CODE 3: NOT APPROVED RE-SUBMIT								
			CODE 4: FOR INFORMATION ONLY								

*HUBS & CABLE GLANDS ARE SHIPPED WITH ENCLOSURE

ENTRY HUB/GLAND SELECTION CHART*

ENTRY NO.	HUB/GLAND:
ENTRY 1	K8: WH-255G

COMMENT:

ACCEPTANCE:

DRAWN BY:

DATE:

DWG NUMBER:

SALES/QUOTE NO.:

ITEM:

HKH SERIES
CONTROL STATIONS

NO. **HKH1AND2M41EK8**
COUNT/DATE CODE

WWW.HARSHANDHAZARDOUS.COM

MFG. NAME PLATE (REF.)

REVISION



KILLARK

THIS DOCUMENT IS THE PROPERTY OF HUBBELL - KILLARK. IT IS LOANED TO YOU AND MUST NOT BE USED IN ANY WAY DETRIMENTAL TO THE INTEREST HUBBELL - KILLARK.

HKH MODIFIED ENCLOSURE
(HKH1AND2M41EK8)

SHEET 1 OF 1

4

3

2

1

A

B

C

D

A

B

C

D

4

3

2

1