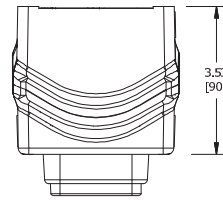


ENCLOSURE INFORMATION		
P/N:	DESCRIPTION:	
BOX:	23196CBAM	BOX PLASTIC 1a, 3/4 NPT BOTTOM
COVER:	24968AAAM	MCHD, COVER PLASTIC 1a RKRSWT
MOUNT METHOD:	23203AAAB	ASSY, DIN RAIL HKH 1 TIER

ROCKER SWITCH 1 TABLE		
P/N:	DESCRIPTION:	
ROCKER SWITCH:	HKHRKRSWT	ROCKER SWITCH, MAINTAINED UP AND DOWN
CONTACT 1:	HKH1NC20D	CONTACT BLCK, FACT SEALED N.C. DRM, 20A
CONTACT 2:	HKH1NO20D	CONTACT BLCK, FACT SEALED N.O. DRM, 20A



TOP VIEW

**CAT. NO. HKHMOD Series** DATE CODE-S/N

Harsh & Hazardous WWW.HARSHANDHAZARDOUS.COM ST. LOUIS, MO 63113

0539 II2G Ex de IIC T6...T4 Gb  
0539 II2D Ex tb IIC T85°C...T135°C Db IP66  
DENKO 15 AT EX 1405X  
Ex de IIC T6...T4 Gb  
Ex tb IIC T85°C...T135°C Db IP66  
IECEx UL 15.0052X  
-50°C ≤Tas+55°C (-40°C ≤Tas+55°C WITH AMMETER)

SEE IOM FORM K1466 & K1470 FOR T-CODES AND FOR ELECTRICAL RATINGS.

EX GAC Seguranca

TR RU C-US.M1062.B.04167 IEX 16.0079 INMETRO

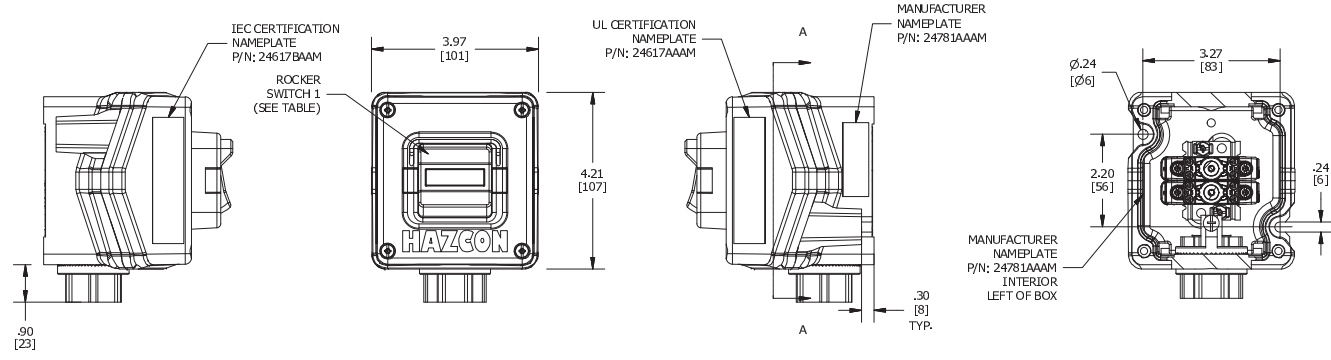
**CAT. NO. HKHMOD Series** DATE CODE-S/N

Harsh & Hazardous WWW.HARSHANDHAZARDOUS.COM ST. LOUIS, MO 63113

INDUSTRIAL CONTROL EQUIPMENT FOR USE IN ZONE CLASSIFIED HAZ. LOCS.  
CLASS I, ZONE 1, AEx de IIC T6...T4 Gb; Ex de IIC T6...T4 Gb  
ZONE 2I, AEx tb IIC T85°C...T135°C Db IP66; Ex tb IIC T85°C...T135°C Db IP66  
CLASS I, DIV 2, GRPS. A,B,C,D; CLASS II, DIV 1, GRPS. E,F,G (CANADA ONLY)  
CLASS II, DIV 2, GROUPS E,F,G; CLASS III  
CLASS III, TYPE 3/4/4X/12/13; -50°C ≤Tas+60°C

SEE IOM FORM K1466 FOR ELECTRICAL RATINGS.

UL LISTED A243

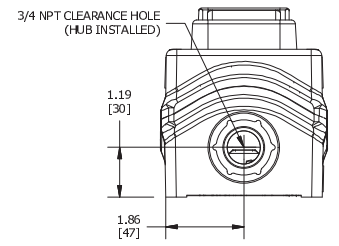


LEFT SIDE VIEW

FRONT VIEW

RIGHT SIDE VIEW

SECTION A-A VIEW



BOTTOM VIEW

ENTRY HUB/GLAND SELECTION CHART*	
ENTRY NO.	HUB/GLAND:
ENTRY 1	KB; WH-2AG

\*HUBS & CABLE GLANDS ARE SHIPPED WITH ENCLOSURE

HKH SERIES CONTROL STATION

QNT NO. **HKH1AND2RS1K8**

COUNTRY/DATE CODE

WWW.HARSHANDHAZARDOUS.COM

COMMENT:	SGN:	DATE:	ACCEPTANCE:	DRAWN BY:	DATE:	DWG NUMBER:	SALES/QUOTE NO.:	ITEM:
			CODE 1: APPROVED (NO COMMENTS)	PR	09/07/2017	HKH1AND2RS1K8	N/A	N/A
			CODE 2: APPROVED FOR MANUFACTURING WITH COMMENTS TO BE INCORPORATED					
			CODE 3: NOT APPROVED RE-SUBMIT					
			CODE 4: FOR INFORMATION ONLY					
REVISION				TITLE: HKH MODIFIED ENCLOSURE (HKH1AND2RS1KB)			SHEET 1 OF 1	

