

4

3

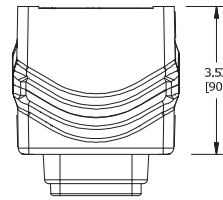
2

1

ENCLOSURE INFORMATION		
P/N:	DESCRIPTION:	
BOX:	23196CBAM	BOX PLASTIC 1a, 3/4 NPT BOTTOM
COVER:	24968AAM	MCHD, COVER PLASTIC 1a RKRSWT
MOUNT METHOD:	23203AAB	ASSY, DIN RAIL HKH 1 TIER
ROCKER SWITCH 1 TABLE		
P/N:	DESCRIPTION:	
ROCKER SWITCH:	HKHRKRSWT	ROCKER SWITCH, MAINTAINED UP AND DOWN
CONTACT 1:	HKH1NO20D	CONTACT BLCK, FACT SEALED N.O. DRM, 20A
CONTACT 2:	HKH1NO20D	CONTACT BLCK, FACT SEALED N.O. DRM, 20A

CONTACT BLOCK RATINGS:
690 VAC, 20A, 50-60
60 VDC, 5A, 110VDC, 1.5A

1/2 HP @ 120 VAC, 1 HP @ 208/240/277VAC
NEMA A600/P600 - PILOT DUTY
350VAC, 20A - TUNGSTEN
AC690V 16A AC-12
AC230V 16A AC-15
50-60HZ
DC60V 5A DC-13
TERMINALS RATED FOR 1-2 CONDUCTORS
#22-10 AWG. (0.5-4mm²)



TOP VIEW

HKHMOD Series CAT. NO. DATE CODE-S/N

Harsh & Hazardous WWW.HARSHANDHAZARD.US.COM ST. LOUIS, MO 63113

0539 II 2G Ex de IIC T6...T4 Gb
0539 II 2D Ex tb IIC T85°C...T135°C Db IP66
DENKO 15 AT EX 1405X
Ex de IIC T6...T4 Gb
Ex tb IIC T85°C...T135°C Db IP66
IEC EX UL 15.0052X
-50°C ≤ T_{amb} ≤ +55°C
(-40°C ≤ T_{amb} ≤ +55°C WITH AMMETER)

SEE IOM FORM K1466 & K1470 FOR T-CODES AND FOR ELECTRICAL RATINGS.

EX IEC Seguranca

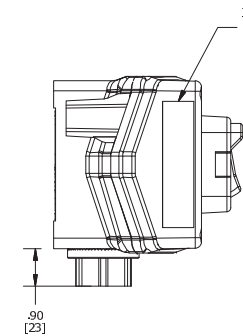
TR RU C-US.M1062.B.04167 IEX 16.0079 INMETRO

HKHMOD Series CAT. NO. DATE CODE-S/N

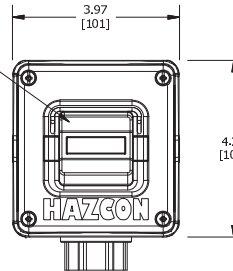
Harsh & Hazardous WWW.HARSHANDHAZARD.US.COM ST. LOUIS, MO 63113

INDUSTRIAL CONTROL EQUIPMENT FOR USE IN ZONE CLASSIFIED HAZ. LOCS.
CLASS I, ZONE 1, AEx de IIC T6...T4 Gb; Ex de IIC T6...T4 Gb
ZONE 2I, AEx tb IIC T85°C...T135°C Db IP66; Ex tb IIC T85°C...T135°C Db IP66
CLASS I, DIV 2, GRPS. A,B,C,D; CLASS II, DIV 1, GRPS. E,F,G (CANADA ONLY)
CLASS II, DIV 2, GROUPS E,F,G; CLASS III
CLASS III, TYPE 3/4/4X/12/13; -50°C ≤ T_{amb} ≤ +60°C

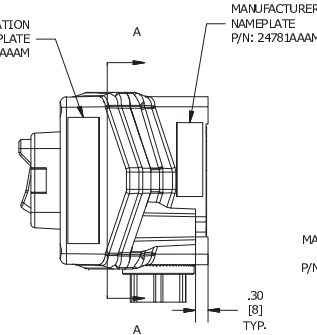
SEE IOM FORM K1466 FOR ELECTRICAL RATINGS.



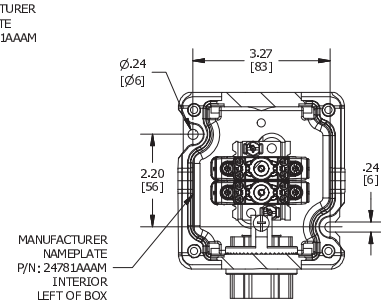
LEFT SIDE VIEW



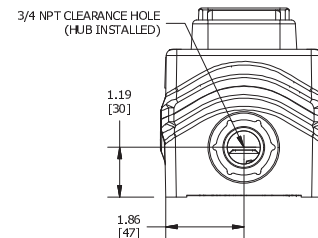
FRONT VIEW



RIGHT SIDE VIEW



SECTION A-A VIEW



BOTTOM VIEW

ENTRY HUB/GLAND SELECTION CHART*	
ENTRY NO.	HUB/GLAND:
ENTRY 1	K8; WH-2SSG

*HUBS & CABLE GLANDS ARE SHIPPED WITH ENCLOSURE

HKH SERIES CONTROL STATION

CAT. NO. **HKH1AND2RS4K8**

COUNTRY/DATE CODE

WWW.HARSHANDHAZARD.US.COM

COMMENT:	SGN:	DATE:	ACCEPTANCE:	DRAWN BY:	DATE:	DWG NUMBER:	SALES/QUOTE NO.:	ITEM:
			CODE 1: APPROVED (NO COMMENTS)	PR	09/06/2017	HKH1AND2RS4K8	N/A	N/A
			CODE 2: APPROVED FOR MANUFACTURING WITH COMMENTS TO BE INCORPORATED					
			CODE 3: NOT APPROVED RE-SUBMIT					
			CODE 4: FOR INFORMATION ONLY					
REVISION				TITLE: HKH MODIFIED ENCLOSURE (HKH1AND2RS4K8)			SHEET 1 OF 1	



4

3

2

1

D

D

C

C

B

B

A

A