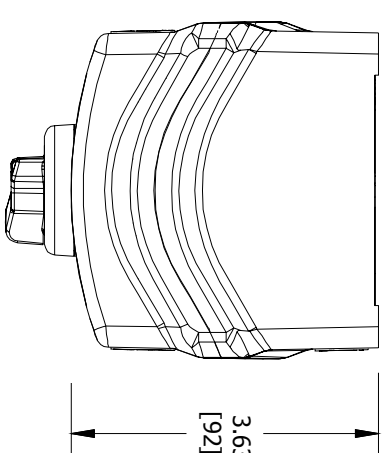


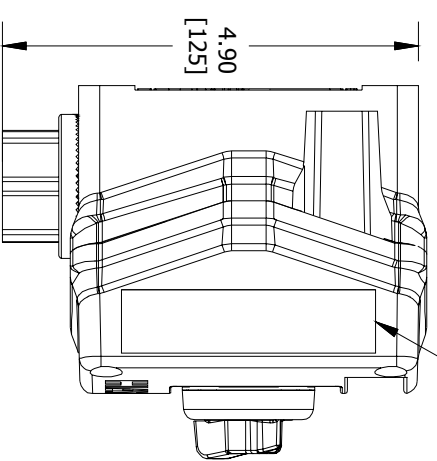
ENCLOSURE INFORMATION	
P/N:	DESCRIPTION:
23196CBAM	BOX PLASTIC 1q, 3/4 NPT BOTTOM
23198BAAB	COVER PLASTIC HKH 1q, SINGLE DEVICE
23203AAMB	ASSY, DIN RAIL HKH 1 TIER
MOUNT METHOD:	
	AC690V 16A AC-12
	AC230V 16A AC-15
	50-60HZ
P/N:	DESCRIPTION:
HHKH2PSMMRV	2 POS SEL SWT MOMENTARY RIGHT, VERT
23225AAMB	Blank
LOCKOUT ACY:	
	N/A
CONTACT 1:	CONTACT BLCK, FACT SEALED N.O. DRM, 20A
CONTACT 2:	CONTACT BLCK, FACT SEALED N.C. DRM, 20A

CONTACT BLOCK RATINGS:
690 VAC, 20A, 50-60
60 VDC, 5A, 110VDC, 1.5A

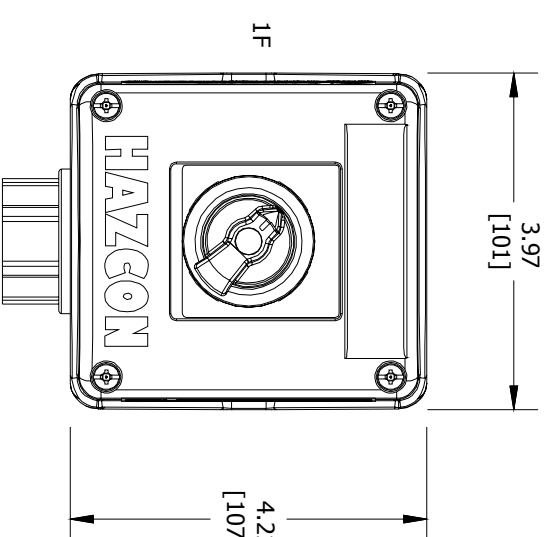
1/2 HP @ 120 VAC, 1 HP @ 208/240/277VAC
NEMA A600/P600 - PILOT DUTY
350VAC, 20A - TUNGSTEN
AC690V 16A AC-12
AC230V 16A AC-15
50-60HZ
DC60V 5A DC-13
TERMINALS RATED FOR 1-2 CONDUCTORS
#22-10 AWG. (0.5-4mm²)



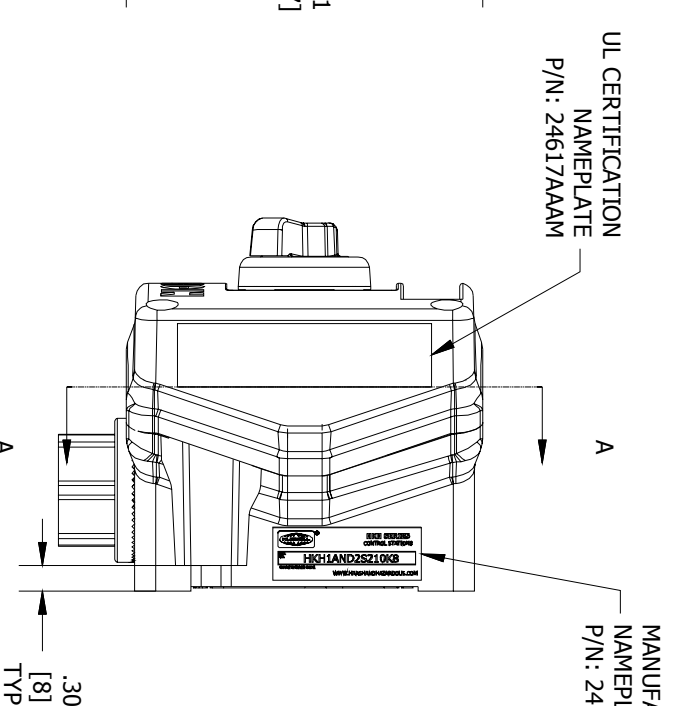
TOP VIEW



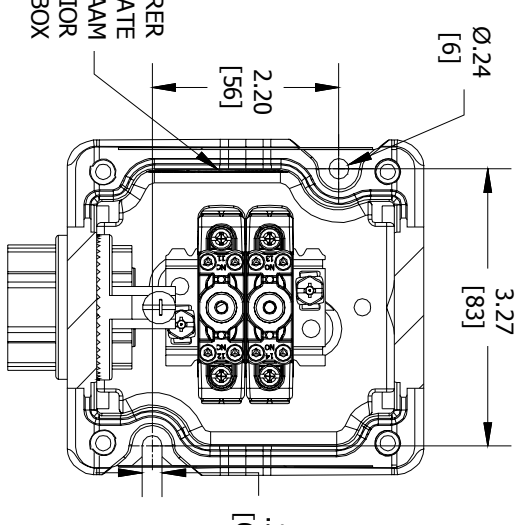
LEFT SIDE VIEW



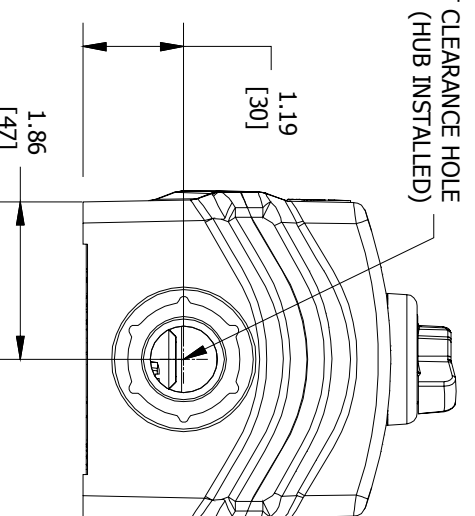
FRONT VIEW



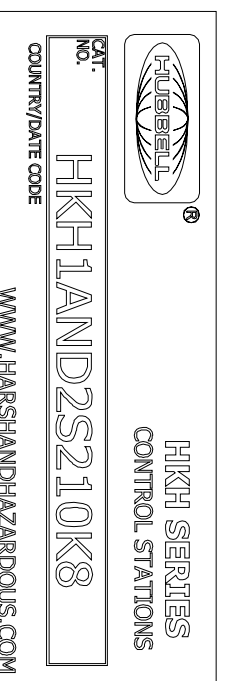
RIGHT SIDE VIEW



SECTION A-A VIEW



BOTTOM VIEW



		CAT. NO. HKHMOD Series		DATE CODE S/N	
Harsh & Hazardous WWW.HARSHANDHAZARDOUS.COM		INDUSTRIAL CONTROL EQUIPMENT FOR USE IN ZONE CLASSIFIED HAZ. LOCS. CLASS I, ZONE 1, AEx de IIC T6...T4 Gb; Ex de IIC T6...T4 Gb ZONE 21, AEx tb IIC T85°C...T135°C Db IP66; Ex tb IIC T85°C...T135°C Db IP66 CLASS I, DIV.2, GRPS. A,B,C,D; CLASS II, DIV.1, GRPS. E,F,G (CANADA ONLY) CLASS II, DIV.2, GROUPS E,F,G; CLASS III CLASS III; TYPE 3/4/4X/12/13; -50°C STas+60°C		SEE IOM FORM K1466 FOR ELECTRICAL RATINGS.	
CAT. NO. HKHMOD Series		SEE IOM FORM K1466 & K1470 FOR T-CODDS AND FOR ELECTRICAL RATINGS.		ST. LOUIS, MO 63113	
CAT. NO. HKHMOD Series		TR RU C-US:MI062.B.04167		IEX 16.0079 INMETRO	
CAT. NO. HKHMOD Series		SEE IOM FORM K1466 FOR ELECTRICAL RATINGS.		DATE CODE S/N	

COMMENT:	SGN:	DATE:	ACCEPTANCE:	DRAWN BY:	DATE:	DWG NUMBER:	ITEM:
			CODE 1: APPROVED (NO COMMENTS)		08/09/2016	HKH1AND2S210K8	N/A
			CODE 2: APPROVED FOR MANUFACTURING WITH COMMENTS TO BE INCORPORATED				
			CODE 3: NOT APPROVED RE-SUBMIT				
			CODE 4: FOR INFORMATION ONLY				

REVISION	REVISION	REVISION	REVISION
A	REVISION	3	2

REVISION **KILLARK** THIS DOCUMENT IS THE PROPERTY OF HUBBEL - KILLARK. IT IS LOANED TO YOU AND MUST NOT BE USED IN ANY WAY DETRIMENTAL TO THE INTEREST HUBBEL - KILLARK.