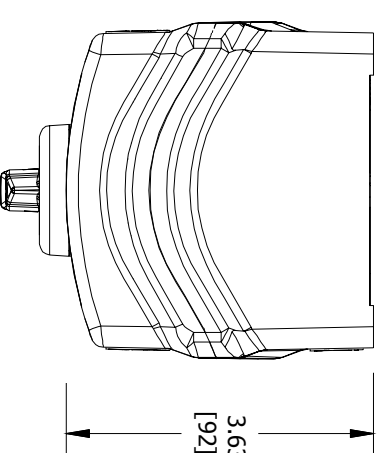


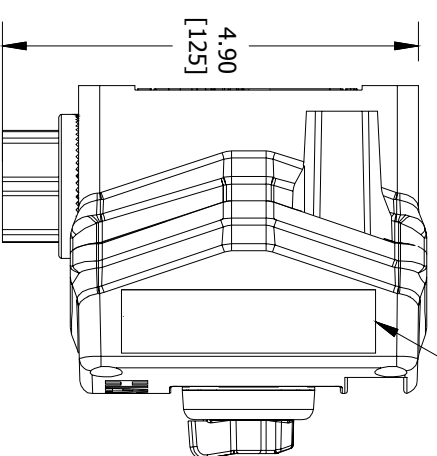
ENCLOSURE INFORMATION	
P/N:	DESCRIPTION:
23196CBAM	BOX PLASTIC 1a, 3/4 NPT BOTTOM
23198BAAB	COVER PLASTIC HKH 1a, SINGLE DEVICE
23203AAMB	ASSY, DIN RAIL HKH 1 TIER
MOUNT METHOD:	
DEVICE 1 ASSEMBLY (1F)	
P/N:	DESCRIPTION:
HKH3P5MT1V	3 POS SEL SWT MAINT CONT IND CAM, VERT
23225ACAB	HAND/OFF/AUTO
LOCKOUT ACY:	
NONE	
CONTACT 1:	CONTACT BLACK, FACT SEALED N.O. DRM, 20A
HKH1NO20D	
CONTACT 2:	CONTACT BLACK, FACT SEALED N.O. DRM, 20A
HKH1NO20D	

CONTACT BLOCK RATINGS:
690 VAC, 20A, 50-60
60 VDC, 5A, 110VDC, 1.5A

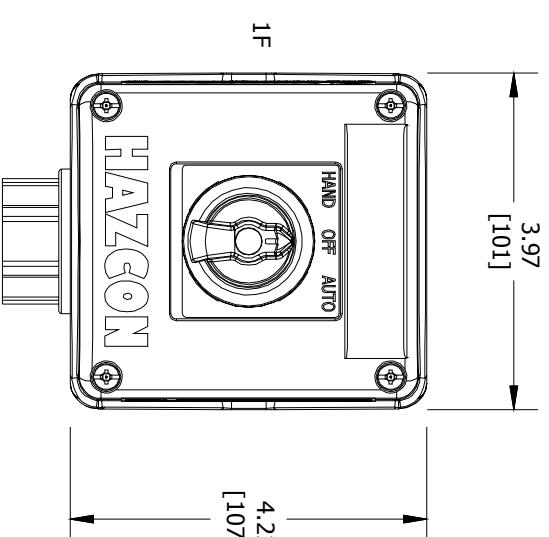
1/2 HP @ 120 VAC, 1 HP @ 208/240/277VAC
NEMA A600/P600 - PILOT DUTY
350VAC, 20A - TUNGSTEN
AC690V 16A AC-12
AC230V 16A AC-15
50-60HZ
DC60V 5A DC-13
TERMINALS RATED FOR 1-2 CONDUCTORS
#22-10 AWG. (0.5-4mm²)



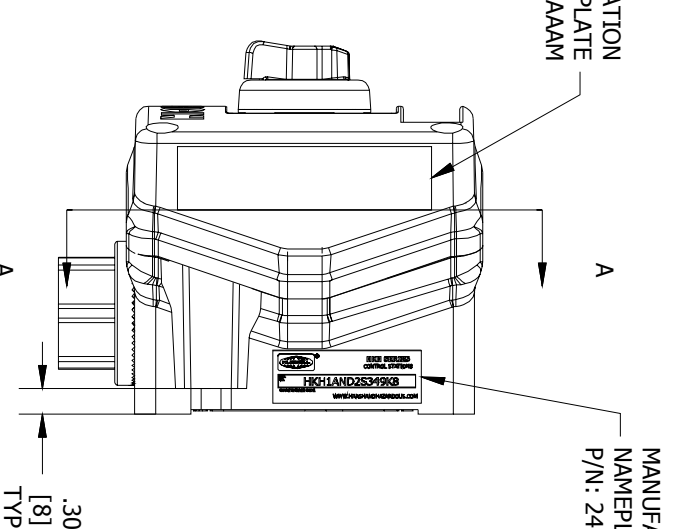
TOP VIEW



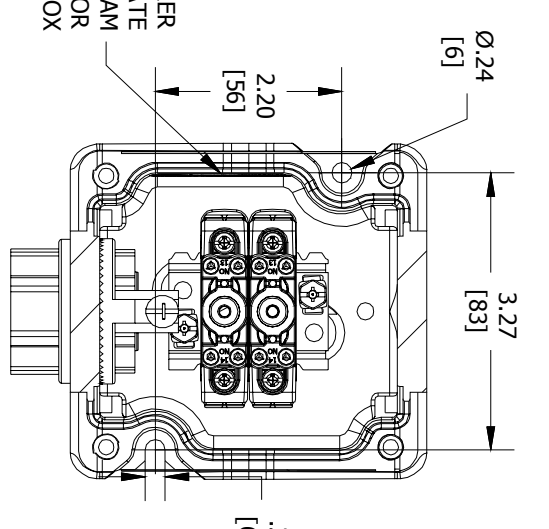
LEFT SIDE VIEW



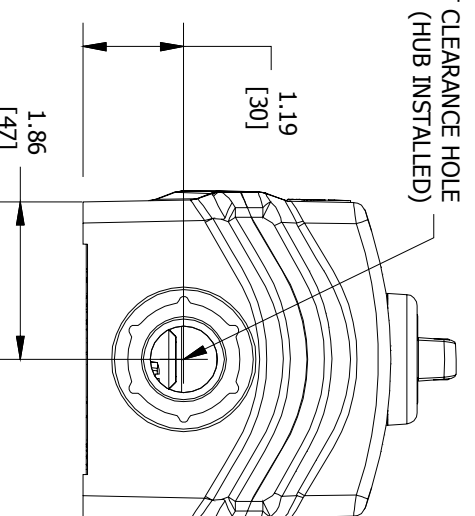
FRONT VIEW



RIGHT SIDE VIEW



SECTION A-A VIEW



BOTTOM VIEW



 HARSH & HAZARDOUS Harsh & Hazardous www.harsandhazardous.com CAT. NO. HKHMOD Series DATE CODE-S/N	INDUS TRIAL CONTROL EQUIPMENT FOR USE IN ZONE CLASSIFIED HAZ. LOCS. CLASS I, ZONE 1, AEx de IIC T6...T4 Gb; Ex de IIC T6...T4 Gb ZONE 21, AEx tb IIC T85°C...T135°C; Db IP66; Ex tb IIC T85°C...T135°C Db IP66 CLASS I, DIV 2, GRPS. A,B,C,D; CLASS II, DIV.1, GRPS. E,F,G (CANADA ONLY) CLASS II, DIV.2, GROUPS E,F,G; CLASS III CLASS III; TYPE 3/4/4X/12/13; -50°C ≤Tas≤+60°C	SEE IOM FORM K1466 & K1470 FOR T-CODES AND FOR ELECTRICAL RATINGS. LISTED A243
	SEE IOM FORM K1466 FOR ELECTRICAL RATINGS. TR RU C-US, M1062, B.04167 IEX 16.0079 1MMETRO (-40°C ≤Tas≤+55°C WITH AMMETER)	 EPC ST. LOUIS, MO 63113

COMMENT:	SGN:	DATE:	ACCEPTANCE:	DRAWN BY:	DATE:	DWG NUMBER:	ENTRY NO.	HUB/GLAND:	ENTRY 1	K8: WH-255G
----------	------	-------	-------------	-----------	-------	-------------	-----------	------------	---------	-------------

CODE 1: APPROVED (NO COMMENTS)	CODE 2: APPROVED FOR MANUFACTURING WITH COMMENTS TO BE INCORPORATED	CODE 3: NOT APPROVED RE-SUBMIT	CODE 4: FOR INFORMATION ONLY	TITLE:	HKH MODIFIED ENCLOSURE (HKH1AND2S349K8)
--------------------------------	---	--------------------------------	------------------------------	--------	---

REVISION	REVISION	REVISION	REVISION	REVISION	REVISION
----------	----------	----------	----------	----------	----------

4	3	2	1
---	---	---	---