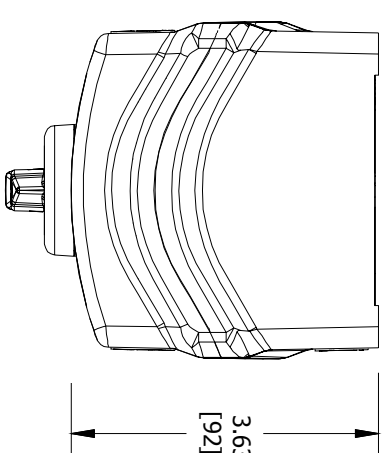


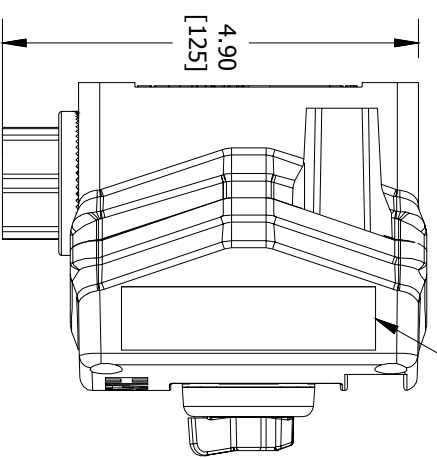
ENCLOSURE INFORMATION	
P/N:	DESCRIPTION:
23196CBAM	BOX PLASTIC 1ø, 3/4 NPT BOTTOM
23198BAAB	COVER PLASTIC HKH 1ø, SINGLE DEVICE
23203AAMB	ASSY, DIN RAIL HKH 1 TIER
MOUNT METHOD:	
DEVICE 1 ASSEMBLY (1F)	
P/N:	DESCRIPTION:
HKH3PSM1LV	3 POS SEL SWT MOM LT, MAINI' CTR/RT, VERT
23225AAMB	Blank
LOCKOUT ACQY:	
NONE	
CONTACT 1:	
HKHINO20D	CONTACT BLCK, FACT SEALED N.O. DRW, 20A
HKHINO20D	CONTACT BLCK, FACT SEALED N.O. DRW, 20A

CONTACT BLOCK RATINGS:  
 690 VAC, 20A, 50-60  
 60 VDC, 5A, 110VDC, 1.5A

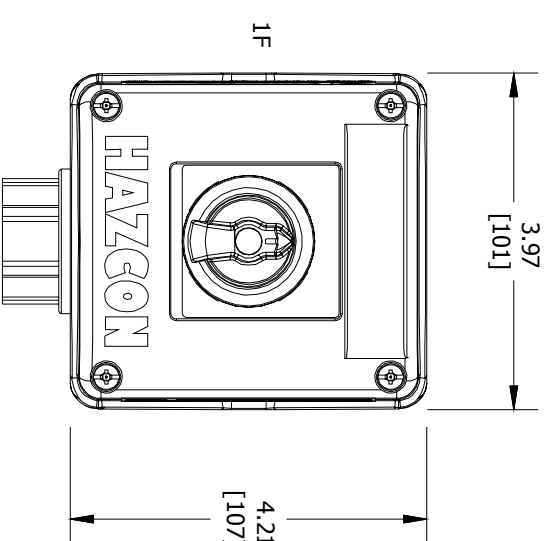
1/2 HP @ 120 VAC, 1 HP @ 208/240/277VAC  
 NEMA A600/P600 - PILOT DUTY  
 350VAC, 20A - TUNGSTEN  
 AC690V 16A AC-12  
 AC230V 16A AC-15  
 50-60HZ  
 DC60V 5A DC-13  
 TERMINALS RATED FOR 1-2 CONDUCTORS  
 #22-10 AWG. (0.5-4mm<sup>2</sup>)



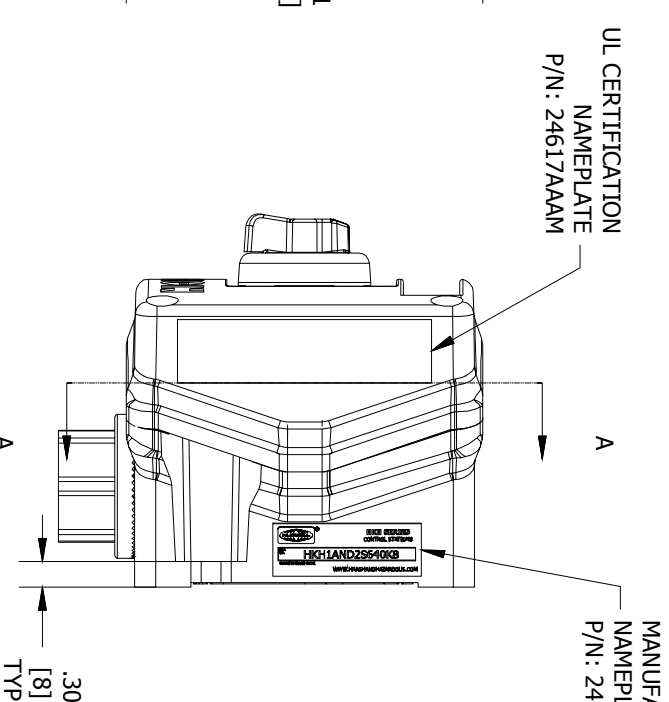
TOP VIEW



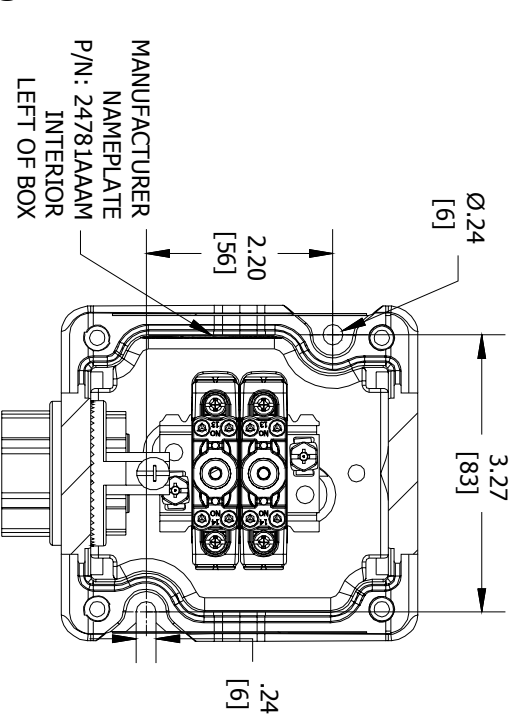
LEFT SIDE VIEW



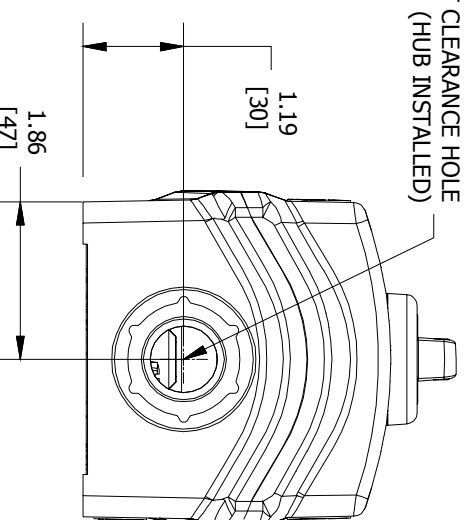
FRONT VIEW



RIGHT SIDE VIEW



SECTION A-A VIEW



BOTTOM VIEW

COMMENT:

SGN:

DATE:

ACCEPTANCE:

DRAWN BY:

DATE:

DWG NUMBER:

CODE 1: APPROVED (NO COMMENTS)  
 CODE 2: APPROVED FOR MANUFACTURING  
 WITH COMMENTS TO BE INCORPORATED  
 CODE 3: NOT APPROVED RE-SUBMIT  
 CODE 4: FOR INFORMATION ONLY

PR

08-22-2016

SALES/QUOTE NO.:

ITEM:

UL CERTIFICATION  
 NAMEPLATE  
 P/N: 24617BAAM

UL CERTIFICATION  
 NAMEPLATE  
 P/N: 24781AAAM

MANUFACTURER  
 NAMEPLATE  
 P/N: 24781AAAM  
 INTERIOR  
 LEFT OF BOX

MANUFACTURER  
 NAMEPLATE  
 P/N: 24781AAAM  
 INTERIOR  
 LEFT OF BOX

ENTRY NO. HUB/GLAND:  
 ENTRY 1 K8: WH-255G

DATE CODE-S/N  
 ST. LOUIS, MO 63113

ENTRY HUB/GLAND SELECTION CHART\*

ENTRY NO.	HUB/GLAND:
ENTRY 1	K8: WH-255G

\*HUBS & CABLE GLANDS ARE SHIPPED WITH ENCLOSURE

 Harsh & Hazardous WWW.HARSHANDHAZARDOUS.COM	CAT. NO. <b>HKHMOD Series</b> DATE CODE-S/N
	SEE IOM FROM K1465 & K1470 FOR T-CODES AND FOR ELECTRICAL RATINGS.
INDUSTRIAL CONTROL EQUIPMENT FOR USE IN ZONE CLASSIFIED HAZ. LOCES. CLASS I, ZONE 1, AEx de IIC T6...T4 Gb; Ex de IIC T6...T4 Gb CLASS I, ZONE 2, AEx de IIC T6...T4 Gb; Ex de IIC T6...T4 Gb CLASS I, DIV. 2, GRPS. A,B,C,D; CLASS II, DIV. 1, GRPS. E,F,G (CANADA ONLY) CLASS II, DIV. 2, GRUPS E,F,G; CLASS III CLASS III; TYPE 3/4/4X/12/13; -50°C ≤T <sub>a</sub> ≤+60°C	TR RU C-US; M1062; B.04167 IEX 16,0079 INMETRO SEE IOM FROM K1465 FOR ELECTRICAL RATINGS.
CAT. NO. <b>HKHMOD Series</b> WWW.HARSHANDHAZARDOUS.COM	DATE CODE-S/N ST. LOUIS, MO 63113

CERTIFICATION NAME PLATES

 HKH SERIES CONTROL STATIONS MFG. NAME PLATE (REF.) WWW.HARSHANDHAZARDOUS.COM	CAT. NO. <b>HKH1AND2S640K8</b> COUNT/DATE CODE
---	---

MFG. NAME PLATE (REF.)

A

REVISION



**KILLARK**  
 THIS DOCUMENT IS THE PROPERTY OF HUBBELL - KILLARK.  
 IT IS LOANED TO YOU AND MUST NOT BE USED IN ANY WAY  
 DETRIMENTAL TO THE INTEREST HUBBELL - KILLARK.

REVISION

HKH MODIFIED ENCLOSURE  
 (HKH1AND2S640K8)

REVISION

REVISION

REVISION

SHEET 1 OF 1

A

B

C

D

A

B

C

D