

4

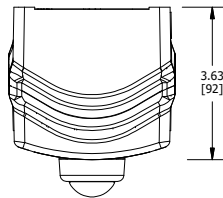
3

2

1

ENCLOSURE INFORMATION		
P/N:	DESCRIPTION:	
BOX:	23197KBAM	BOX PLASTIC 1b, M20 BOTTOM
COVER:	23194BAAB	COVER PLASTIC 1b, ONE DEVICE
MOUNT METHOD:	23203BAAB	ASSY, DIN RAIL HKH 2 TIER

PILOT LIGHT RATINGS:
 LIGHT EMITTING DIODE
 12-254 VAC/VDC LED
 0.6WTERMINALS RATED FOR 1-2 CONDUCTORS
 #22-10 AWG. (0.5-4mm²)



TOP VIEW

CAT. NO. HKHMOD Series DATE CODE-S/N

Harsh & Hazardous WWW.HARSHANDHAZARDOUS.COM ST. LOUIS, MO 63113

0539 IIC2 Ex de IIC T6...T4 Gb
 0539 IIC2D Ex tb IIC T85°C...T135°C Db IP66
 DEMKO 15 ATEX 1405X
 Ex de IIC T6...T4 Gb
 Ex tb IIC T85°C...T135°C Db IP66
 IECEx UL 15.0054X
 (-40°C ≤Tas+60°C
 (-40°C ≤Tas+55°C WITH AMMETER)

TR RU C-US.MIO62.B.04167 IEx 16.0079 INMETRO

EX IEC

Seguranca

UL LISTED A243

CAT. NO. HKHMOD Series DATE CODE-S/N

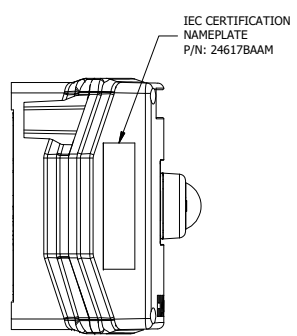
Harsh & Hazardous WWW.HARSHANDHAZARDOUS.COM ST. LOUIS, MO 63113

INDUSTRIAL CONTROL EQUIPMENT FOR USE IN ZONE CLASSIFIED HAZ. LOCS.
 CLASS I, ZONE 1, AEx de IIC T6...T4 Gb; Ex de IIC T6...T4 Gb
 ZONE 21, AEx tb IIC T85°C...T135°C Db IP66; Ex tb IIC T85°C...T135°C Db IP66
 CLASS I, DIV.2, GRPS. A,B,C,D; CLASS II, DIV.1, GRPS. E,F,G (CANADA ONLY)
 CLASS II, DIV.2, GROUPS E,F,G; CLASS III
 CLASS III, TYPE 3/4/4X/12/13; -50°C ≤Tas+60°C

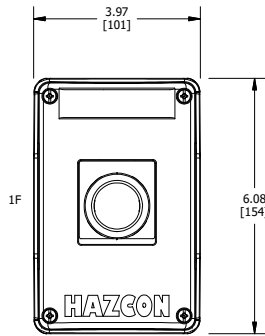
UL LISTED A243

SEE IOM FORM K1466 FOR ELECTRICAL RATINGS.

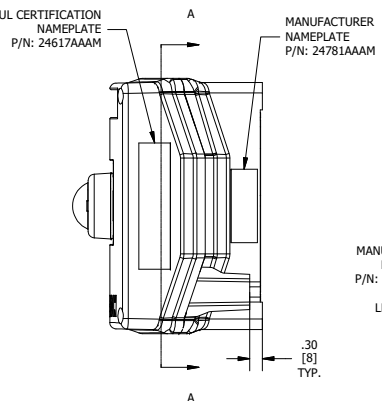
DEVICE 1 ASSEMBLY (1F)		
P/N:	DESCRIPTION:	
DEVICE:	HKHPLR	PILOT LIGHT RED LENS ASSEMBLY
LEGEND PLATE:	23225AAAB	LAM., BLANK
LOCKOUT DEV.:	N/A	N/A
CONTACT 1:	HKHPLD	PILOT LGHT MOD, DM



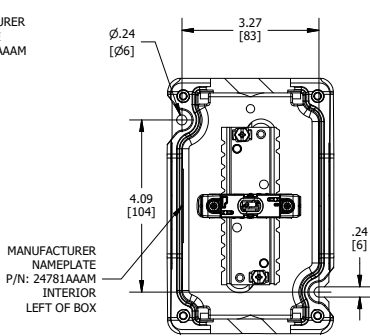
LEFT SIDE VIEW



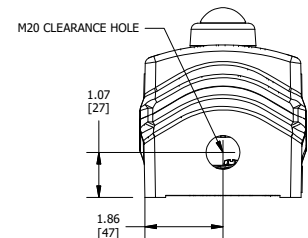
FRONT VIEW



RIGHT SIDE VIEW



SECTION A-A VIEW



BOTTOM VIEW

ENTRY HUB/GLAND SELECTION CHART*	
ENTRY NO.	HUB/GLAND:
ENTRY 1	NONE

*HUBS & CABLE GLANDS ARE SHIPPED WITH ENCLOSURE

HKH SERIES CONTROL STATION

CAT. NO. **HKH1BNDALRL0**

COUNTRY/DATE CODE

WWW.HARSHANDHAZARDOUS.COM

COMMENT:	SGN:	DATE:	ACCEPTANCE:	DRAWN BY:	DATE:	DWG NUMBER:	SALES/QUOTE NO.:	ITEM:
			CODE 1: APPROVED (NO COMMENTS)	K.R.A.	06/01/2017	HKH1BNDALRL0	N/A	N/A
			CODE 2: APPROVED FOR MANUFACTURING WITH COMMENTS TO BE INCORPORATED					
			CODE 3: NOT APPROVED RE-SUBMIT					
			CODE 4: FOR INFORMATION ONLY					
REVISION				TITLE:		SHEET 1 OF 1		
				HKH MODIFIED ENCLOSURE (HKH1BNDALRL0)				

KILLARK THIS DOCUMENT IS THE PROPERTY OF HUBBELL - KILLARK. IT IS LOANED TO YOU AND MUST NOT BE USED IN ANY WAY DETRIMENTAL TO THE INTEREST HUBBELL - KILLARK.

4

3

2

1

D

C

B

A

D

C

B

A