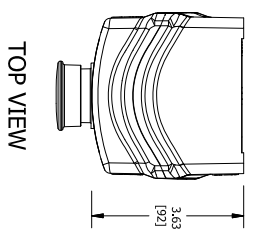
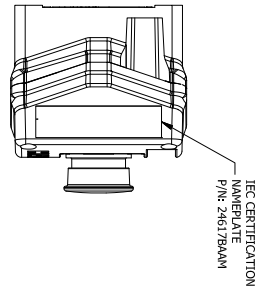


ENCLOSURE INFORMATION	
P/N:	2319R6AM
DESCRIPTION:	BOX PLASTIC 1A, M20 BOTTOM
BOX:	2319R6AM
COVER:	2319R6AAB
COVER PLASTIC:	HKH 1A, SINGLE DEVICE
MOUNT METHOD:	2320MAAB
ASSY. DIN RAIL:	HKH 1 TIER
DEVICE 1 ASSEMBLY (GF)	
P/N:	DESCRIPTION:
HHFRBMMG	MOMENTARY PUSHBUTTON, MUSHROOM HD, GRN
LEGND. PLATE:	2322SBAAB
START:	
LOCKOUT ACCY:	N/A
CONTACT 1:	HKHHC20D
CONTACT BLOCK, FACT SEALED N.O., DRN, 20A	
CONTACT 2:	HKHHC20D
CONTACT BLOCK, FACT SEALED N.C., DRN, 20A	

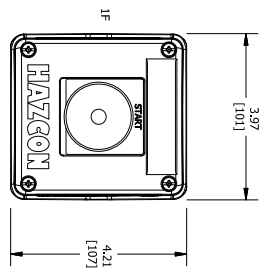
CONTACT BLOCK RATINGS:  
690 VAC, 20A, 30x60  
60 VDC, 5A, 110VDC, 1.5A  
1/2 HP @ 120 VAC, 1 HP @ 208/240/277VAC  
NEMA AG60/660 - PILOT DUTY\*  
350VAC, 20A - TUNGSTEN  
AC200V 16A, AC-12  
AC230V 16A, AC-15  
50-60HZ  
DC60V 5A, DC-13  
TERMINALS RATED FOR 1-2 CONDUCTORS  
F22-10 AIMS, (0.5-9mm<sup>2</sup>)



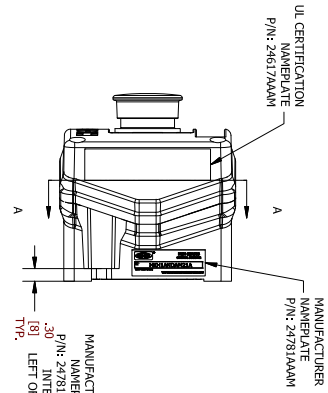
TOP VIEW



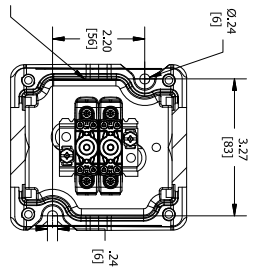
LEFT SIDE VIEW



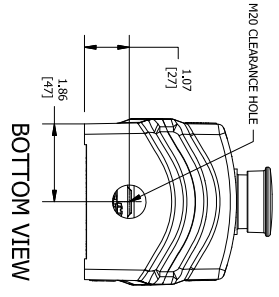
FRONT VIEW



RIGHT SIDE VIEW



SECTION A-A VIEW



BOTTOM VIEW

		<b>CAT. HKHMOD Series</b> <small>DATE CODE-S/N</small>	
<small>INDUSTRIAL CONTROL EQUIPMENT FOR USE IN ZONE CLASSIFIED HAZ, LOCS.</small>		<small>SEE IOM FORM K1466 FOR ELECTRICAL RATINGS.</small>	
<small>CLASS I, ZONE 1, AEX db IIC T6...T4 G0; Ex de IIC T6...T4 G0</small>		<small>FOR T-CODES AND FOR ELECTRICAL RATINGS.</small>	
<small>CLASS II, DIV2, GRS, A,B,C,D; CLASS II, DIV1, GRS, E,F,G (CANADA ONLY)</small>			
<small>CLASS III, TYPE 3M/4M/12/17; -50°C to 165°C</small>			
<small>TR RU CUS W02R2, B, 04167</small>		<small>DATE CODE-S/N</small>	
<small>1EX 16,0079 INVERTOR</small>		<small>ST. LOUIS, MO 63113</small>	

CERTIFICATION NAME PLATES

COMMENT:	SGN:	DATE:	ACCEPTANCE:	DRAWN BY:	DATE:	DWG NUMBER:
CODE 1: APPROVED (NO COMMENTS)				PR	06/30/2016	HKH1ANDAM21A
CODE 2: APPROVED FOR MANUFACTURING WITH COMMENTS TO BE INCORPORATED						
CODE 3: NOT APPROVED RE-SUBMIT						
CODE 4: FOR INFORMATION ONLY						

TITLE:	HKH MODIFIED ENCLOSURE (HKH1ANDAM21A)
SALES/QUOTE NO.:	N/A
ITEM:	N/A

ENTRY HUB/GLAND SELECTION CHART*	
ENTRY NO.	HUB/GLAND:
ENTRY 1	NONE

\*HUBS & CABLE GLANDS ARE SHIPPED WITH ENCLOSURE

HKH SERIES  
CONTROL STATIONS  
COMMITTEE CODE  
HKH1ANDAM21A  
WWW.HKSHANDHARDWARE.COM

MFG. NAME PLATE (REF.)

REVISION	3	KILLARK	2	1
SHEET 1 OF 1				