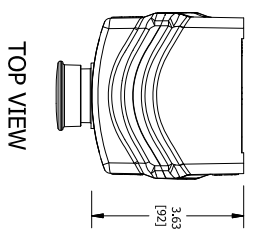
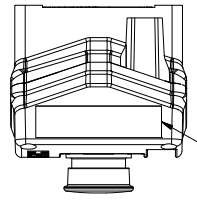


ENCLOSURE INFORMATION	
P/N:	DESCRIPTION:
23198BAM	BOX PLASTIC 1A, M20 BOTTOM
23198BAB	COVER PLASTIC HKH 1A, SINGLE DEVICE
23202AAB	ASSY. DIN RAIL HKH 1 TIER
MOUNT METHOD:	
DEVICE 1 ASSEMBLY (GF)	
P/N:	DESCRIPTION:
HKHFBP1TR	MAINTAINED PUSH BULL MUSHROOM HD, RED
23225TAB	EMERGENCY STOP
LOCKOUT ACCY:	
N/A	
CONTACT 1:	
HKHHC20D	CONTACT BLOCK, FACT SEALED N.O. DRW, 20A
CONTACT 2:	
HKHHC20D	CONTACT BLOCK, FACT SEALED N.C. DRW, 20A

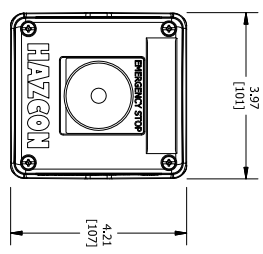
CONTACT BLOCK RATINGS:
690 VAC, 20A, 50/60
60 VDC, 5A, 110VDC, 1.5A
1/2 HP @ 120 VAC, 1 HP @ 208/240/277VAC
NEMA A600/660 - PILOT DUTY*
350VAC, 20A - TUNGSTEN
AC990V 16A AC-12
AC230V 16A AC-15
50-60HZ
DC60V 5A DC-13
TERMINALS RATED FOR 1-2 CONDUCTORS
#22-10 AWG (0.5-9mm²)



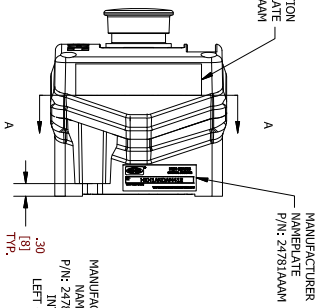
TOP VIEW



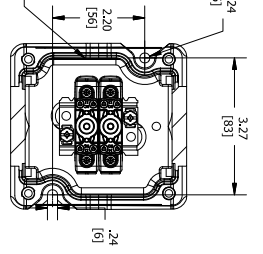
LEFT SIDE VIEW



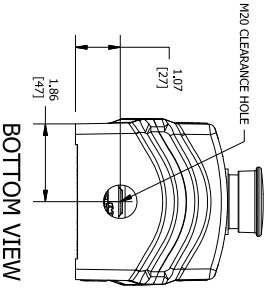
FRONT VIEW



RIGHT SIDE VIEW



SECTION A-A VIEW



BOTTOM VIEW

CAT. NO.	HKHMOD Series
DATE CODE: S/IN ST. LOUIS, MO 63113 SEE IOM FORM K1466 & K1470 FOR T-CODES AND FOR ELECTRICAL RATINGS.	
CAT. NO. HKHMOD Series DATE CODE: S/IN ST. LOUIS, MO 63113	
INDUSTRIAL CONTROL EQUIPMENT FOR USE IN ZONE CLASSIFIED HAZ. LOCOS. CLASS I, ZONE 1, HAZ. GR. C, EX. 1A, 1B, 1C, 1D, 1E, 1F, 1G, 1H, 1I, 1J, 1K, 1L, 1M, 1N, 1O, 1P, 1Q, 1R, 1S, 1T, 1U, 1V, 1W, 1X, 1Y, 1Z CLASS II, DIV. 2, GRPS. A, B, C, D; CLASS III, DIV. 1, GRPS. E, F, G (CANADA ONLY) CLASS III; TYPE 3/4/4X/12/13; -50°C ST1A5+60°C SEE IOM FORM K1466 FOR ELECTRICAL RATINGS.	

CERTIFICATION NAME PLATES

COMMENT:	SGN:	DATE:	ACCEPTANCE:	DRAWN BY:	DATE:	DWG NUMBER:
			CODE 1: APPROVED (NO COMMENTS)			HKH1ANDAM41E
			CODE 2: APPROVED FOR MANUFACTURING WITH COMMENTS TO BE INCORPORATED	PR	08/08/2016	HKH1ANDAM41E
			CODE 3: NOT APPROVED RE-SUBMIT			
			CODE 4: FOR INFORMATION ONLY			

ENTRY HUB/GLAND SELECTION CHART*	
ENTRY NO.	HUB/GLAND:
ENTRY 1	NONE

*HUBS & CABLE GLANDS ARE SHIPPED WITH ENCLOSURE

HKH SERIES CONTROL STATIONS	
HKH1ANDAM41E MFG. NAME PLATE (REF.)	
WWW.HKSHANDHARDWARE.COM	

REVISION	DATE	DESCRIPTION
4		MFG. NAME PLATE (REF.)
3		KILLARK
2		HKH MODIFIED ENCLOSURE (HKH1ANDAM41E)
1		SHEET 1 OF 1