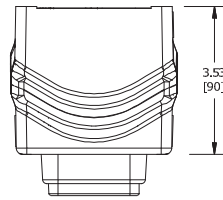


ENCLOSURE INFORMATION		
P/N:	DESCRIPTION:	
BOX: 23196KBAM	BOX PLASTIC 1a, M20 BOTTOM	
COVER: 24968AAAM	MCHD, COVER PLASTIC 1a RKRSWT	
MOUNT METHOD: 23203AAAB	ASSY, DIN RAIL HKH 1 TIER	
ROCKER SWITCH 1 TABLE		
P/N:	DESCRIPTION:	
ROCKER SWITCH: HKH1RKRSWT	ROCKER SWITCH, MAINTAINED UP AND DOWN	
CONTACT 1: HKH1NO20D	CONTACT BLCK, FACT SEALED N.O. DRM, 20A	
CONTACT 2: HKH1NO20D	CONTACT BLCK, FACT SEALED N.O. DRM, 20A	

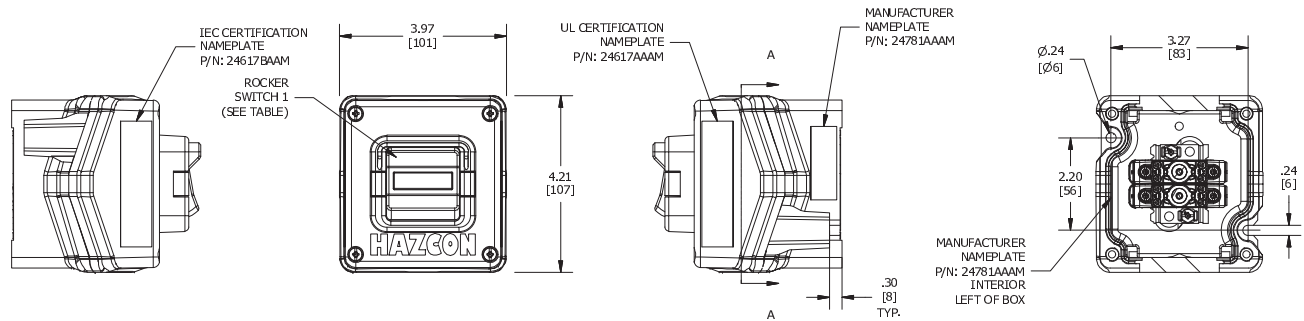
CONTACT BLOCK RATINGS:
 690 VAC, 20A, 50-60
 60 VDC, 5A, 110VDC, 1.5A

1/2 HP @ 120 VAC, 1 HP @ 208/240/277VAC
 NEMA A600/P600 - PILOT DUTY
 350VAC, 20A - TUNGSTEN
 AC690V 16A AC-12
 AC230V 16A AC-15
 50-60HZ
 DC60V 5A DC-13
 TERMINALS RATED FOR 1-2 CONDUCTORS
 #22-10 AWG. (0.5-4mm²)



TOP VIEW

		CAT. NO. HKHMOD Series		DATE CODE-S/N
Harsh & Hazardous WWW.HARSHANDHAZARDOUS.COM		ST. LOUIS, MO 63113		SEE IOM FORM K1466 & K1470 FOR T-CODES AND FOR ELECTRICAL RATINGS.
INDUSTRIAL CONTROL EQUIPMENT FOR USE IN ZONE CLASSIFIED HAZ. LOCS. CLASS I, ZONE 1, AEx de IIC T6...T4 Gb; Ex de IIC T6...T4 Gb ZONE 2I, AEx tb IIC T85°C...T135°C Db IP66; Ex tb IIC T85°C...T135°C Db IP66 CLASS I, DIV.2, GRPS. A,B,C,D; CLASS II, DIV.1, GRPS. E,F,G (CANADA ONLY) CLASS II, DIV.2, GROUPS E,F,G; CLASS III CLASS III, TYPE 3/4/4X/12/13; -50°C ≤Tas+60°C				
SEE IOM FORM K1466 FOR ELECTRICAL RATINGS.				

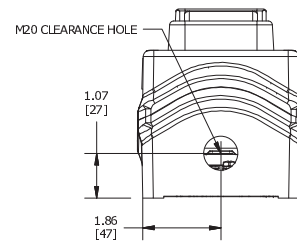


LEFT SIDE VIEW

FRONT VIEW

RIGHT SIDE VIEW

SECTION A-A VIEW



BOTTOM VIEW

	HKH SERIES CONTROL STATION
DWT NO. HKH1ANDARS4	
COUNTRY/DATE CODE	WWW.HARSHANDHAZARDOUS.COM

COMMENT:	SGN:	DATE:	ACCEPTANCE:	DRAWN BY:	DATE:	DWG NUMBER:	SALES/QUOTE NO.:	ITEM:
			CODE 1: APPROVED (NO COMMENTS)	PR	09/07/2017	HKH1ANDARS4	N/A	N/A
			CODE 2: APPROVED FOR MANUFACTURING WITH COMMENTS TO BE INCORPORATED					
			CODE 3: NOT APPROVED RE-SUBMIT					
			CODE 4: FOR INFORMATION ONLY					
REVISION				TITLE: HKH MODIFIED ENCLOSURE (HKH1ANDARS4)			SHEET 1 OF 1	

ENTRY HUB/GLAND SELECTION CHART*	
ENTRY NO.	HUB/GLAND:
ENTRY 1	NONE

*HUBS & CABLE GLANDS ARE SHIPPED WITH ENCLOSURE

