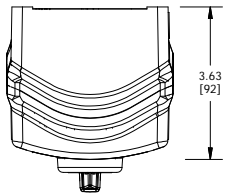


| ENCLOSURE INFORMATION | | |
|-------------------------|--|--|
| P/N: | DESCRIPTION: | |
| BOX: 23196KBAM | BOX PLASTIC 1a, M20 BOTTOM | |
| COVER: 23193BAAB | COVER PLASTIC HKH 1a, SINGLE DEVICE | |
| MOUNT METHOD: 23203AAAB | ASSY, DIN RAIL HKH 1 TIER | |
| DEVICE 1 ASSEMBLY (1F) | | |
| P/N: | DESCRIPTION: | |
| DEVICE: HKH3PSMMLV | 3 POS SEL SWT MOM LT, MAINT CTR/RT, VERT | |
| LEGEND PLATE: 23225AAAB | LAM., BLANK | |
| LOCKOUT DEV.: NONE | N/A | |
| CONTACT 1: HKH1NO20D | CONTACT BLCK, FACT SEALED N.O. DRM, 20A | |
| CONTACT 2: HKH1NO20D | CONTACT BLCK, FACT SEALED N.O. DRM, 20A | |

CONTACT BLOCK RATINGS:
 690 VAC, 20A, 50-60
 60 VDC, 5A, 110VDC, 1.5A

1/2 HP @ 120 VAC, 1 HP @ 208/240/277VAC
 NEMA A600/P600 - PILOT DUTY
 350VAC, 20A - TUNGSTEN
 AC690V 16A AC-12
 AC230V 16A AC-15
 50-60HZ
 DC60V 5A DC-13
 TERMINALS RATED FOR 1-2 CONDUCTORS
 #22-10 AWG. (0.5-4mm²)



TOP VIEW

CAT. NO. HKHMOD Series DATE CODE-S/N

WWW.HARSHANDHAZARDOUS.COM ST. LOUIS, MO 63113

SEE IOM FORM K1466 & K1470 FOR T-CODES AND FOR ELECTRICAL RATINGS.

Harsh & Hazardous
 0539 I12G Ex de IIC T6...T4 Gb
 0539 I12D Ex tb IIC T85°C...T135°C Db IP66
 DEMKO 15 ATEX 1405X
 Ex de IIC T6...T4 Gb
 Ex tb IIC T85°C...T135°C Db IP66
 IECEx UL 15 0054X
 -50°C ≤Tas+60°C
 (-40°C ≤Tas+55°C WITH AMMETER)

EX IEC IECEx UL INMETRO

TR RU C-US.MIO62.B.04167 IEX 16.0079 INMETRO

CAT. NO. HKHMOD Series DATE CODE-S/N

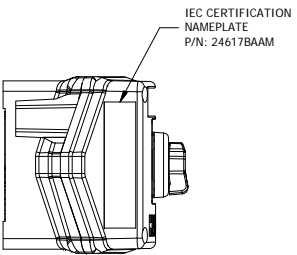
WWW.HARSHANDHAZARDOUS.COM ST. LOUIS, MO 63113

INDUSTRIAL CONTROL EQUIPMENT FOR USE IN ZONE CLASSIFIED HAZ. LOCS.

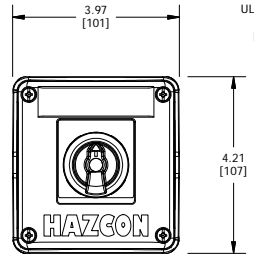
CLASS I, ZONE 1, Aex de IIC T6...T4 Gb; Ex de IIC T6...T4 Gb
 ZONE 21, Aex tb IIC T85°C...T135°C Db IP66; Ex tb IIC T85°C...T135°C Db IP66
 CLASS I, DIV.2, GRPS. A.B.C.D; CLASS II, DIV.1, GRPS. E.F.G (CANADA ONLY)
 CLASS II, DIV.2, GROUPS E.F.G; CLASS III
 CLASS III; TYPE 3/4/4X/12/13; -50°C ≤Tas+60°C

UL LISTED A243

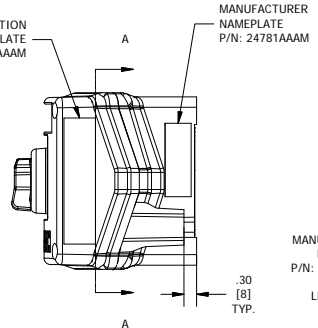
SEE IOM FORM K1466 FOR ELECTRICAL RATINGS.



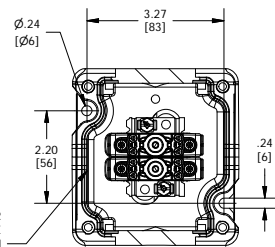
LEFT SIDE VIEW



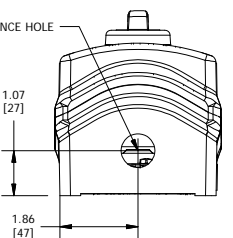
FRONT VIEW



RIGHT SIDE VIEW



SECTION A-A VIEW



BOTTOM VIEW

| ENTRY HUB/GLAND SELECTION CHART* | |
|----------------------------------|------------|
| ENTRY NO. | HUB/GLAND: |
| ENTRY 1 | NONE |

*HUBS & CABLE GLANDS ARE SHIPPED WITH ENCLOSURE

HKH SERIES CONTROL STATION

CAT. NO. **HKH1ANDAS640**

COUNTRY/DATE CODE

WWW.HARSHANDHAZARDOUS.COM

| COMMENT: | SGN: | DATE: | ACCEPTANCE: | DRAWN BY: | DATE: | DWG NUMBER: | ITEM: |
|----------|------|-------|---|---------------------------------------|------------|------------------|-------|
| | | | CODE 1: APPROVED (NO COMMENTS) | K.R.A. | 04/28/2017 | HKH1ANDAS640 | N/A |
| | | | CODE 2: APPROVED FOR MANUFACTURING WITH COMMENTS TO BE INCORPORATED | | | SALES/QUOTE NO.: | N/A |
| | | | CODE 3: NOT APPROVED RE-SUBMIT | | | | |
| | | | CODE 4: FOR INFORMATION ONLY | | | | |
| REVISION | | | | TITLE: | | SHEET 1 OF 1 | |
| | | | | HKH MODIFIED ENCLOSURE (HKH1ANDAS640) | | | |

KILLARK THIS DOCUMENT IS THE PROPERTY OF HUBBELL - KILLARK. IT IS LOANED TO YOU AND MUST NOT BE USED IN ANY WAY DETRIMENTAL TO THE INTEREST HUBBELL - KILLARK.