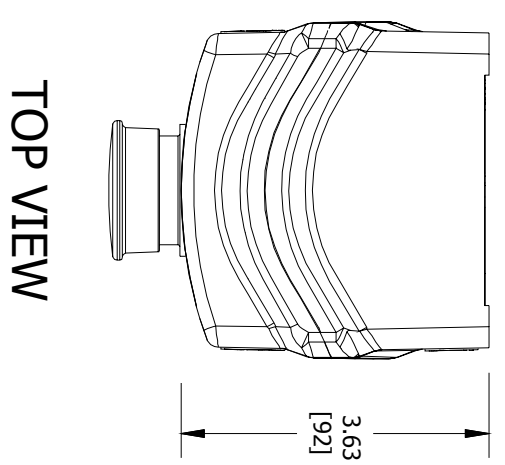


ENCLOSURE INFORMATION	
P/N:	DESCRIPTION:
23196CBAM	BOX PLASTIC 1a, 3/4 NPT BOTTOM
23198BAAB	COVER PLASTIC HKH 1a, SINGLE DEVICE
HKH1AMBKT	HKH PANEL MOUNT BRACKET, C. B. & P. L. (1 PL.)
MOUNT METHOD:	
DEVICE 1 ASSEMBLY (1F)	
P/N:	DESCRIPTION:
HKHPBMTMG	MAINTAINED PUSH PULL MUSHROOM HD, GRN
LGND. PLATE:	START
LOCKOUT ACQY:	N/A
CONTACT 1:	CONTACT BLCK, FACT SEALED N.O. PM, 20A
CONTACT 2:	CONTACT BLCK, FACT SEALED N.O. PM, 20A

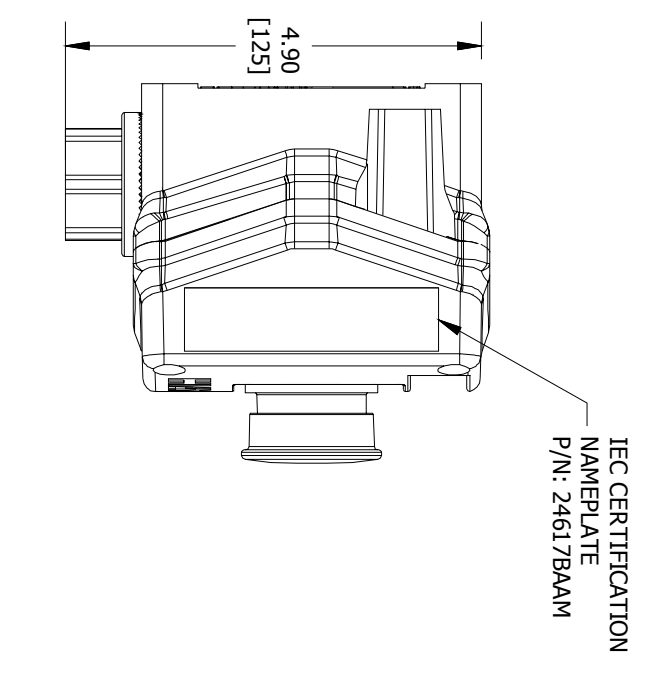
CONTACT BLOCK RATINGS:  
 690 VAC, 20A, 50-60  
 60 VDC, 5A, 110VDC, 1.5A

1/2 HP @ 120 VAC, 1 HP @ 208/240/277VAC  
 NEMA A600/P600 - PILOT DUTY  
 350VAC, 20A - TUNGSTEN  
 AC690V 16A AC-12  
 AC230V 16A AC-15  
 50-60HZ

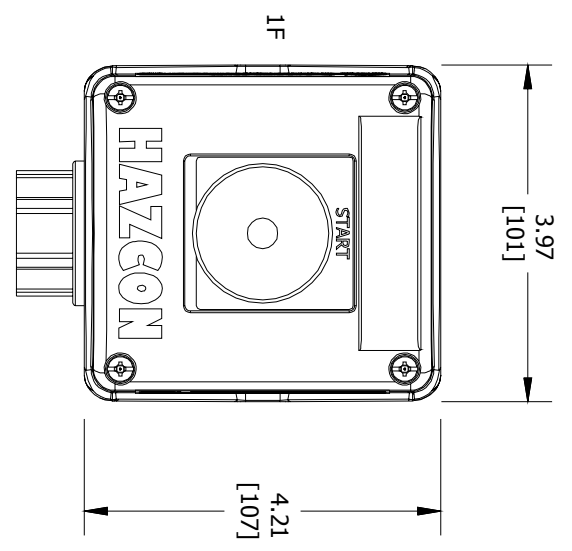
DC60V 5A DC-13  
 TERMINALS RATED FOR 1-2 CONDUCTORS  
 #22-10 AWG. (0.5-4mm<sup>2</sup>)



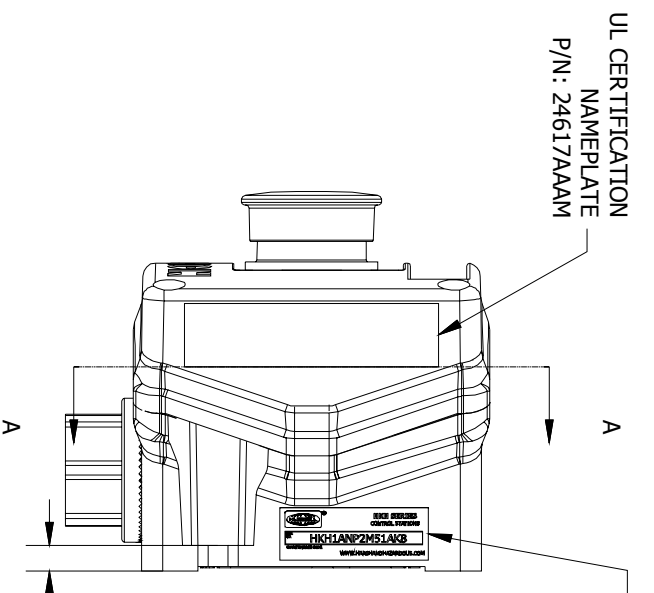
TOP VIEW



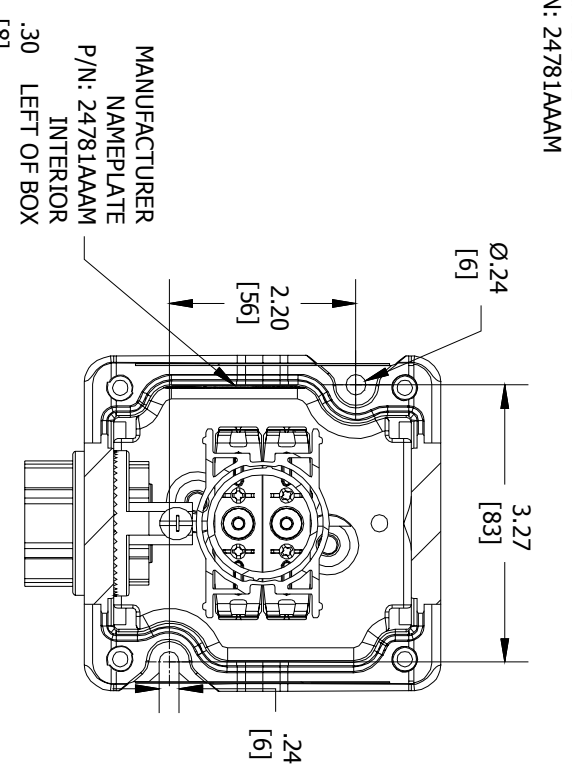
LEFT SIDE VIEW



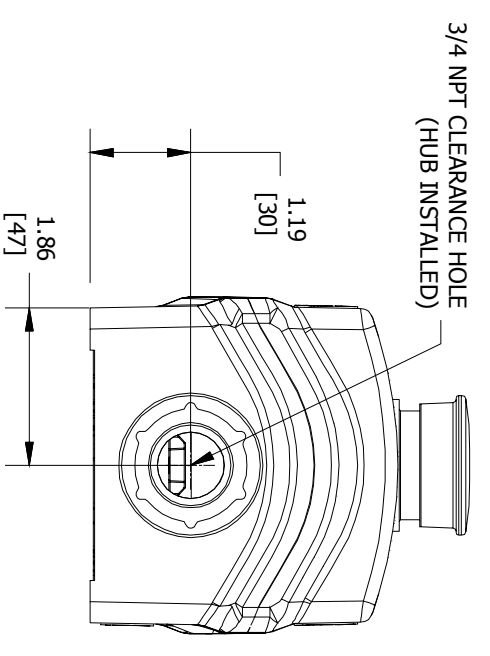
FRONT VIEW



RIGHT SIDE VIEW



SECTION A-A VIEW



BOTTOM VIEW

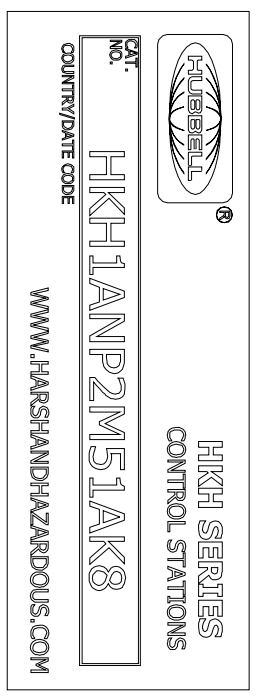
3/4 NPT CLEARANCE HOLE  
(HUB INSTALLED)

COMMENT:	SGN:	DATE:	ACCEPTANCE:
CODE 1: APPROVED (NO COMMENTS)			
CODE 2: APPROVED FOR MANUFACTURING WITH COMMENTS TO BE INCORPORATED			
CODE 3: NOT APPROVED RE-SUBMIT			
CODE 4: FOR INFORMATION ONLY			

DRAWN BY:	DATE:	DWG NUMBER:	ITEM:
PR	07/20/2016	HKH1ANP2M51AK8	N/A
TITLE:		SALES/QUOTE NO.:	
HKH MODIFIED ENCLOSURE (HKH1ANP2M51AK8)		N/A	

ENTRY HUB/GLAND SELECTION CHART*	
ENTRY NO.	HUB/GLAND:
ENTRY 1	K8: WH-2SSG

\*HUBS & CABLE GLANDS ARE SHIPPED WITH ENCLOSURE



MFG. NAME PLATE (REF.)

CAT. NO. HKHMOD Series		DATE CODE S/N
<p>Harsht &amp; Hazardous            www.harschandhazardous.com</p> <p>INDUSTRIAL CONTROL EQUIPMENT FOR USE IN ZONE CLASSIFIED HAZ. LOCs.            CLASS I, ZONE 1, AEx de IIC T6...T4 Gb Ex de IIC T6...T4 Gb            ZONE 2I, AEx de IIIC T85°C...T135°C Db IP66 Ex de IIIC T85°C...T135°C Db IP66            CLASS I, DIV 2, GRPS. A,B,C,D; CLASS II, DIV.1, GRPS. E,F,G (CANADA ONLY)            CLASS II, DIV.2, GROUPS E,F,G; CLASS III            CLASS III; TYPE 3/4/4X/12/13; -50°C ≤T<sub>a</sub> ≤+60°C</p>		<p>ST. LOUIS, MO 63113</p> <p>DATE CODE S/N</p>
<p>SEE IOM FORM K1466 &amp; K1470            FOR T-CODES AND FOR ELECTRICAL RATINGS.</p> <p>SECURANCE            IEX            LISTED            A243</p>		<p>TR RU C-US, MIO62.B.04167 IEX 16.0079 INMETRO</p>

CERTIFICATION NAME PLATES