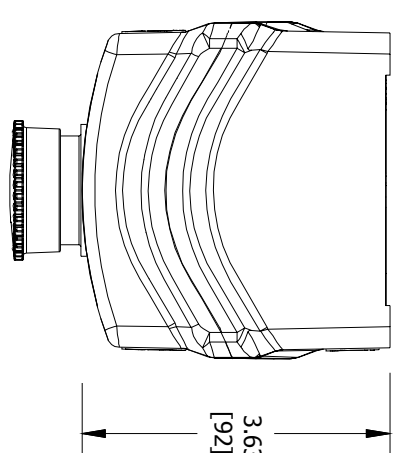


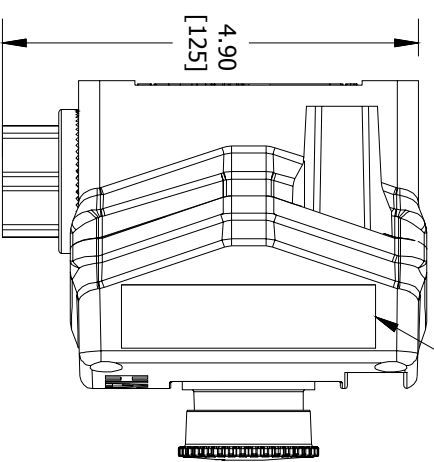
| ENCLOSURE INFORMATION | |
|------------------------|--|
| P/N: | DESCRIPTION: |
| 23196CBAM | BOX PLASTIC 1a, 3/4 NPT BOTTOM |
| COVER: | COVER PLASTIC HKH 1a, SINGLE DEVICE |
| MOUNT METHOD: | HKH PANEL MOUNT BRACKET, C. B. & P. L. (1 PL.) |
| DEVICE 1 ASSEMBLY (1F) | |
| P/N: | DESCRIPTION: |
| HKHB1T1TKR | MAINTAINED P. B. TWIST REL, MUSH HD, RED |
| LGND. PLATE: | EMERGENCY STOP |
| LOCKOUT ACQY: | N/A |
| CONTACT 1: | CONTACT BLCK, FACT SEALED N.O. PM, 20A |
| CONTACT 2: | CONTACT BLCK, FACT SEALED N.O. PM, 20A |

CONTACT BLOCK RATINGS:
690 VAC, 20A, 50-60
60 VDC, 5A, 110VDC, 1.5A

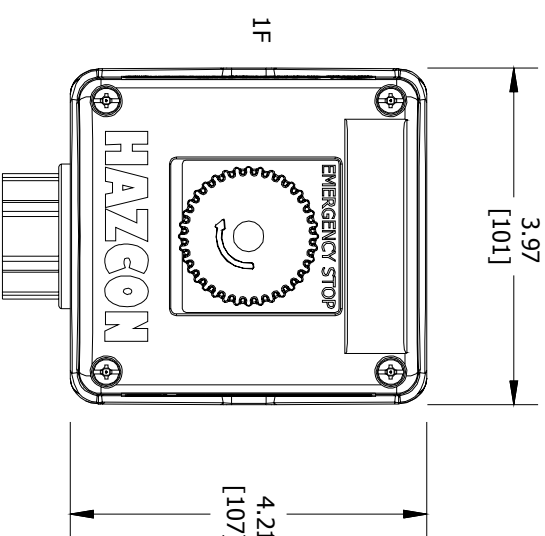
1/2 HP @ 120 VAC, 1 HP @ 208/240/277VAC
NEMA A600/P600 - PILOT DUTY
350VAC, 20A - TUNGSTEN
AC690V 16A AC-12
AC230V 16A AC-15
50-60HZ
DC60V 5A DC-13
TERMINALS RATED FOR 1-2 CONDUCTORS
#22-10 AWG. (0.5-4mm²)



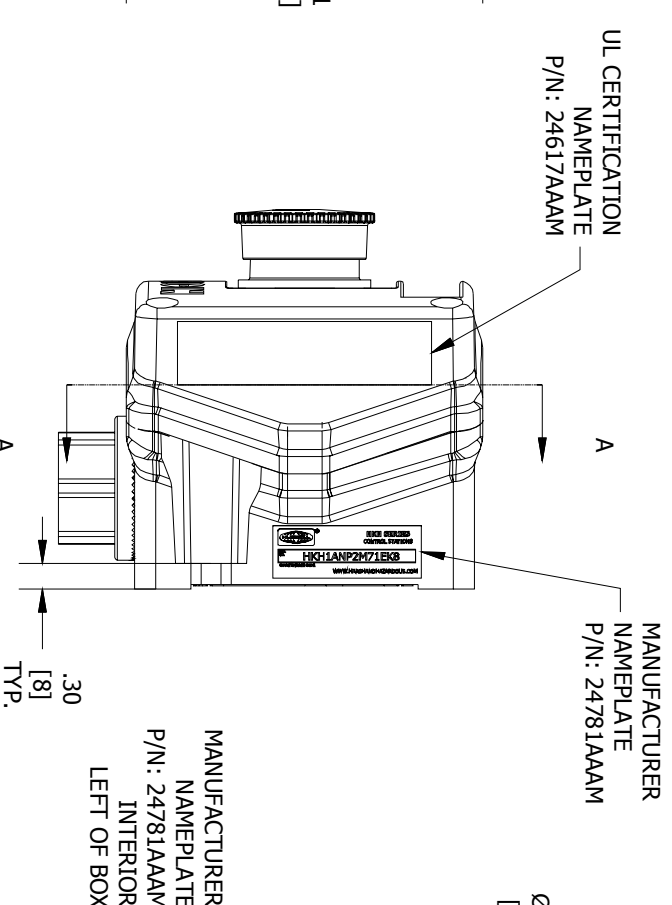
TOP VIEW



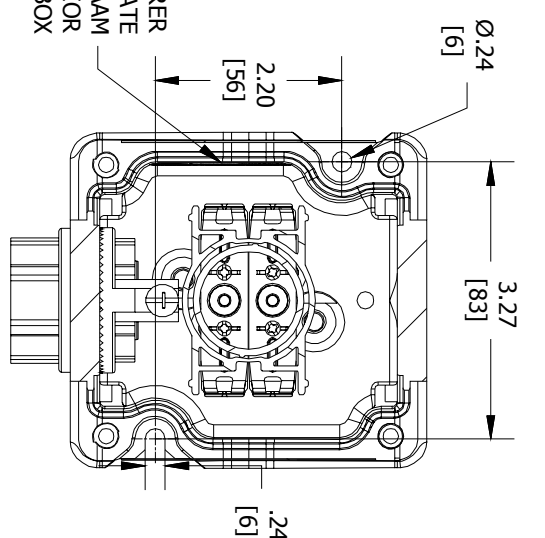
LEFT SIDE VIEW



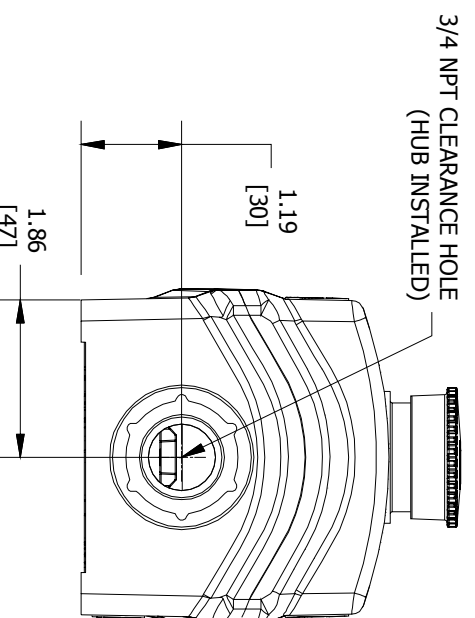
FRONT VIEW



RIGHT SIDE VIEW



SECTION A-A VIEW



BOTTOM VIEW

| | | |
|--|---|---|
| Harsh & Hazardous www.HARSHANDHAZARDOUS.COM | CAT. NO. HKHMOD Series | DATE CODE-S/N ST. LOUIS, MO 63113 |
| | INDUSTRIAL CONTROL EQUIPMENT FOR USE IN ZONE CLASSIFIED HAZ. LOCS. CLASS I, ZONE 1, AEx de IIC T6...T4 Gb; Ex de IIC T6...T4 Gb ZONE 21, AEx tb IIC T85°C...T135°C; Db IP66; Ex tb IIC T85°C...T135°C Db IP66 CLASS I, DIV 2, GRPS. A,B,C,D; CLASS II, DIV.1, GRPS. E,F,G (CANADA ONLY) CLASS II, DIV.2, GROUPS E,F,G; CLASS III CLASS III; TYPE 3/4/4X/12/13; -50°C STAs+60°C SEE IOM FORM K1466 FOR ELECTRICAL RATINGS. | DATE CODE-S/N ST. LOUIS, MO 63113 |

CERTIFICATION NAME PLATES

| | | | | | | | |
|----------|------|-------|---|-----------|------------|----------------|-------------|
| COMMENT: | SGN: | DATE: | ACCEPTANCE: | DRAWN BY: | DATE: | DWG NUMBER: | ENTRY NO. |
| | | | CODE 1: APPROVED (NO COMMENTS) | PR | 08/08/2016 | HKH1ANP2M71EK8 | HUB/GLAND: |
| | | | CODE 2: APPROVED FOR MANUFACTURING WITH COMMENTS TO BE INCORPORATED | | | | K8: WH-255G |
| | | | CODE 3: NOT APPROVED RE-SUBMIT | | | | |
| | | | CODE 4: FOR INFORMATION ONLY | | | | |

| ENTRY HUB/GLAND SELECTION CHART* | |
|----------------------------------|-------------|
| ENTRY NO. | HUB/GLAND: |
| ENTRY 1 | K8: WH-255G |

*HUBS & CABLE GLANDS ARE SHIPPED WITH ENCLOSURE

| | | | | |
|----------|----------|---|------------------|-------|
| REVISION | REVISION | TITLE: | SALES/QUOTE NO.: | ITEM: |
| | | HKH MODIFIED ENCLOSURE (HKH1ANP2M71EK8) | N/A | N/A |

HKH SERIES CONTROL STATIONS
HKH1ANP2M71EK8
COUNT/DATE CODE
www.HARSHANDHAZARDOUS.COM

MFG. NAME PLATE (REF.)