

4

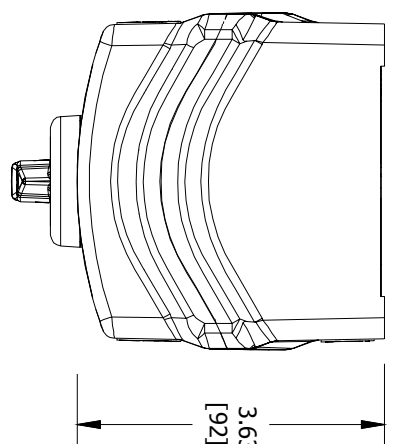
3

2

1

ENCLOSURE INFORMATION	
P/N:	DESCRIPTION:
23196CBAM	BOX PLASTIC 1ø, 3/4 NPT BOTTOM
COVER:	COVER PLASTIC HKH 1ø, SINGLE DEVICE
23193BAAB	NEMA A600/P600 - PILOT DUTY
MOUNT METHOD:	HKH PANEL MOUNT BRACKET, C. B. & P. L. (1 PL.)
HKHPMBRKT	AC690V 16ø AC-12
	AC230V 16ø AC-15
	50-60HZ
	DC60V 5A DC-13
	TERMINALS RATED FOR 1-2 CONDUCTORS
	#22-10 AWG. (0.5-4mm ²)
DEVICE 1 ASSEMBLY (1F)	
P/N:	DESCRIPTION:
HKH2P5MTV	3 POS SEL SWT MOM LTRT, MAINT CTR, VERT
LGND. PLATE:	Blank
LOCKOUT ACQY:	N/A
CONTACT 1:	CONTACT BLCK, FACT SEALED N.O. PM, 20A
HKHINO20P	
CONTACT 2:	CONTACT BLCK, FACT SEALED N.O. PM, 20A
HKHINO20P	

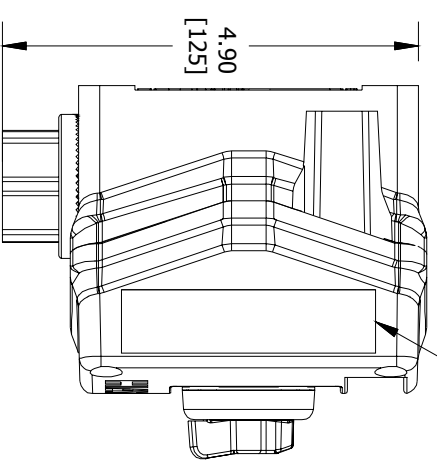
CONTACT BLOCK RATINGS:
 690 VAC, 20ø, 50-60
 60 VDC, 5ø, 110VDC, 1.5ø



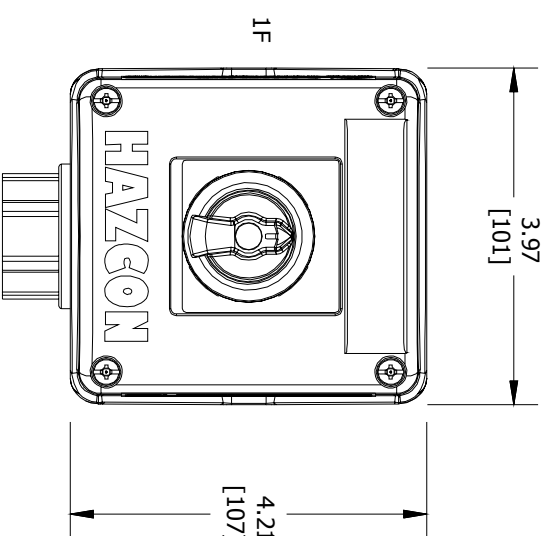
TOP VIEW

 HARSH & Hazardous www.harschandhazardous.com	CAT. NO. HKHMOD Series	DATE CODE-S/N ST. LOUIS, MO 63113
	IEC CERTIFICATION NAMEPLATE P/N: 24617BAAM	UL CERTIFICATION NAMEPLATE P/N: 24617AAAM
INDUSTRIAL CONTROL EQUIPMENT FOR USE IN ZONE CLASSIFIED HAZ. LOCs. CLASS I, ZONE 1, AEx de IIC T6...T4 Gb; Ex de IIC T6...T4 Gb CLASS I, ZONE 2, AEx de IIC T6...T4 Gb; Ex de IIC T6...T4 Gb CLASS II, DIV. 2, GRPS. A,B,C,D: CLASS II, DIV. 1, GRPS. E,F,G (CANADA ONLY) CLASS III; TYPE 3/4/4X/12/13; -50°C ≤T _{as} +60°C		
SEE IOM FORM K1466 FOR ELECTRICAL RATINGS.		

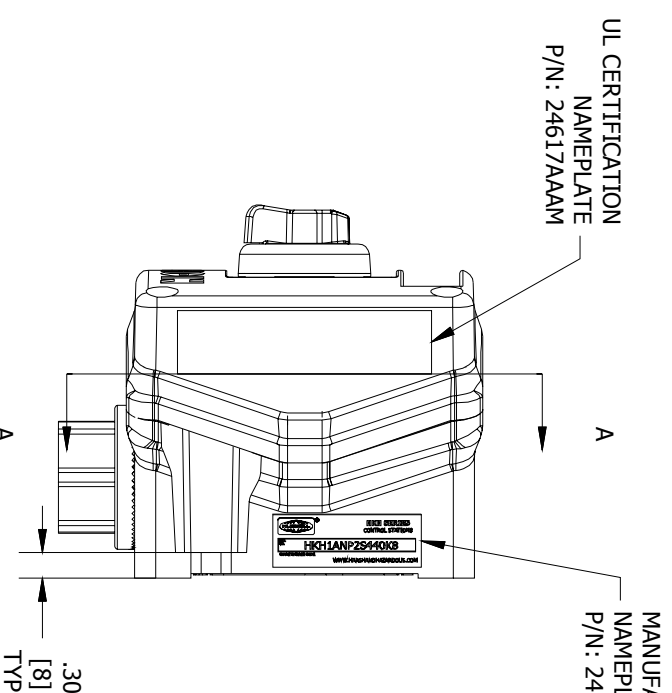
CERTIFICATION NAME PLATES



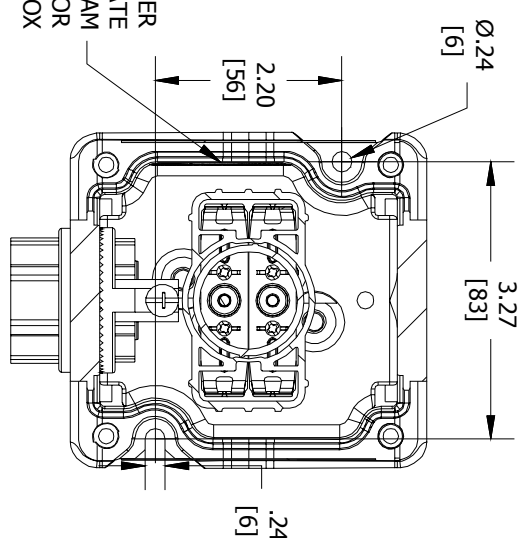
LEFT SIDE VIEW



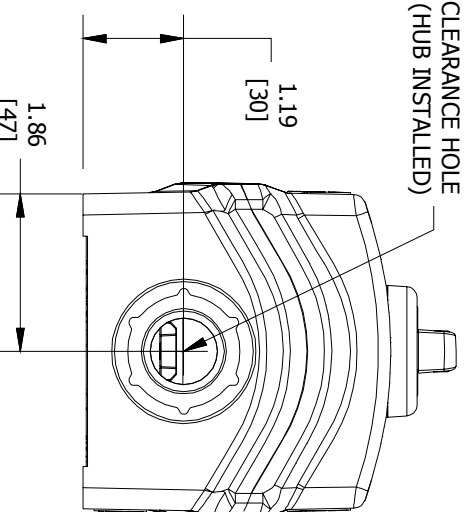
FRONT VIEW



RIGHT SIDE VIEW



SECTION A-A VIEW



BOTTOM VIEW

3/4 NPT CLEARANCE HOLE
 (HUB INSTALLED)

COMMENT:

SGN:

DATE:

ACCEPTANCE:

DRAWN BY:

DATE:

DWG NUMBER:

ENTRY HUB/GLAND SELECTION CHART*	
ENTRY NO.	HUB/GLAND:
ENTRY 1	K8: WH-255G

A

 HARSH & Hazardous www.harschandhazardous.com	HKH SERIES CONTROL STATIONS
	HKH1ANP2S440K8 COUNT/DATE CODE

MFG. NAME PLATE (REF.)

REVISION

3

KILLARK

2

HKH MODIFIED ENCLOSURE
(HKH1ANP2S440K8)

SHEET 1 OF 1

4

3

2

1

A

B

C

D

B

C

D