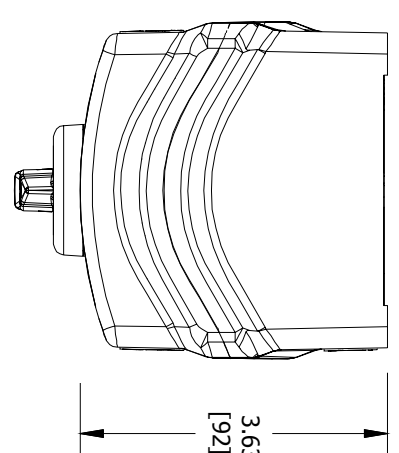


| ENCLOSURE INFORMATION | |
|-----------------------|--|
| P/N: | DESCRIPTION: |
| 23196CBAM | BOX PLASTIC 1ø, 3/4 NPT BOTTOM |
| COVER: | COVER PLASTIC HKH 1ø, SINGLE DEVICE |
| 23193BAAB | NEMA A600/P600 - PILOT DUTY |
| MOUNT METHOD: | HKH PANEL MOUNT BRACKET, C. B. & P. L. (1 PL.) |
| HKHPMBRKT | AC690V 16ø AC-12 |
| | AC230V 16ø AC-15 |
| | 50-60HZ |
| | DC60V 5A DC-13 |
| | TERMINALS RATED FOR 1-2 CONDUCTORS |
| | #22-10 AWG. (0.5-4mm ²) |
| | CONTACT BLOCK RATINGS: |
| | 690 VAC, 20ø, 50-60 |
| | 60 VDC, 5ø, 110VDC, 1.5ø |

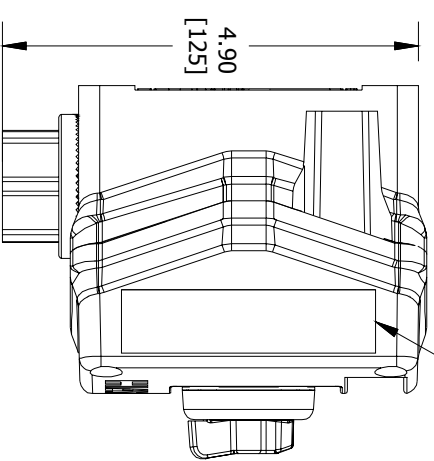
CONTACT BLOCK RATINGS:
690 VAC, 20ø, 50-60
60 VDC, 5ø, 110VDC, 1.5ø



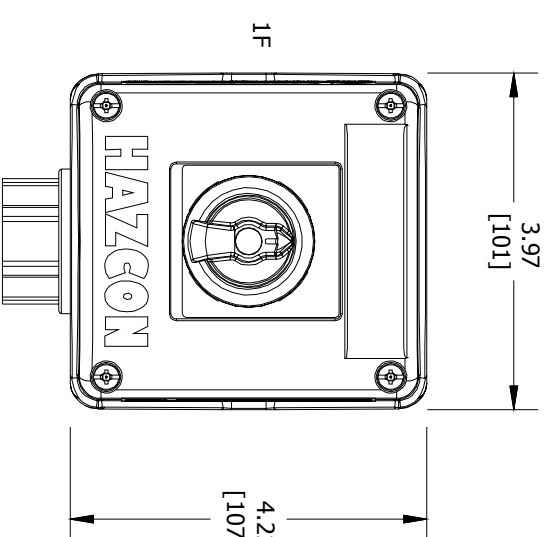
TOP VIEW

| | | |
|--|---|--|
| | CAT. NO. HKHMOD Series | DATE CODE S/N ST. LOUIS, MO 63113 |
| | | |
| INDUSTRIAL CONTROL EQUIPMENT FOR USE IN ZONE CLASSIFIED HAZ. LOCs. CLASS I, ZONE 1, AEx de IIC T6...T4 Gb; Ex de IIC T6...T4 Gb ZONE 21, AEx de IIC T85°C...T135°C Db IP66; Ex tb IIC T85°C...T135°C Db IP66 CLASS I, DIV.2, GRPS. A,B,C,D; CLASS II, DIV.1, GRPS. E,F,G (CANADA ONLY) CLASS II, DIV.2, GROUPS E,F,G; CLASS III CLASS III; TYPE 3/4/4X/12/13; -50°C ≤Tas+60°C | DEMKO 15 ATEX 1405X Ex tb IIC T6...T4 Gb Ex tb IIC T85°C...T135°C Db IP66 IECEx UL 15 0054X -50°C ≤Tas+60°C (-40°C ≤Tas+55°C WITH AMMETER) | TR RU C-US, MID62.B.04167 IEX 16.0079 INMETERO |
| | CAT. NO. HKHMOD Series | DATE CODE S/N ST. LOUIS, MO 63113 |
| Harsh & Hazardous www.harschandhazardous.com | SEE IOM FORM K1466 & K1470 FOR T-CODES AND FOR ELECTRICAL RATINGS. | INVERTING OVER 100V |

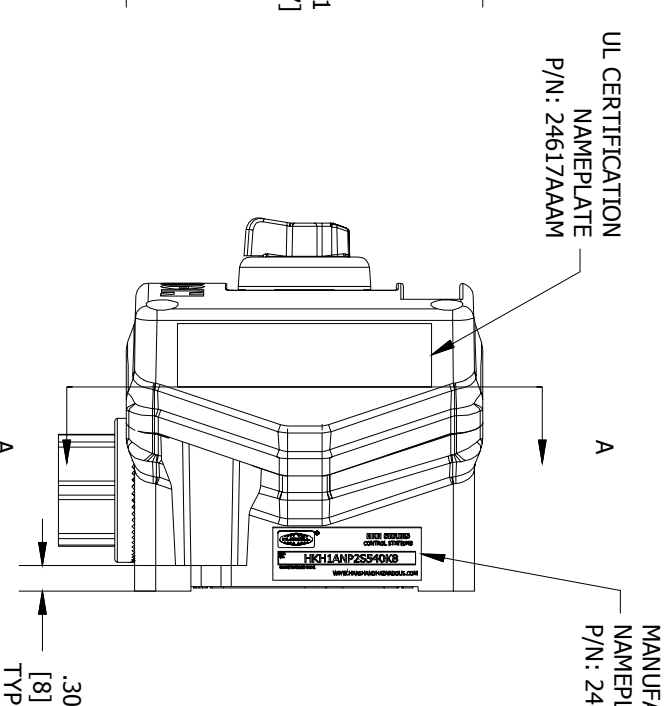
CERTIFICATION NAME PLATES



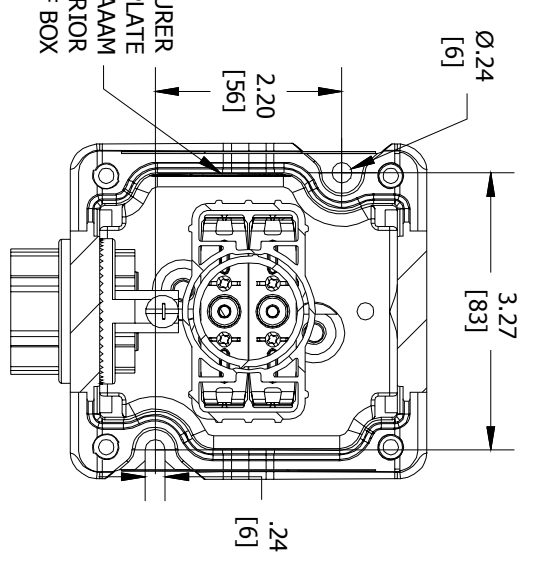
LEFT SIDE VIEW



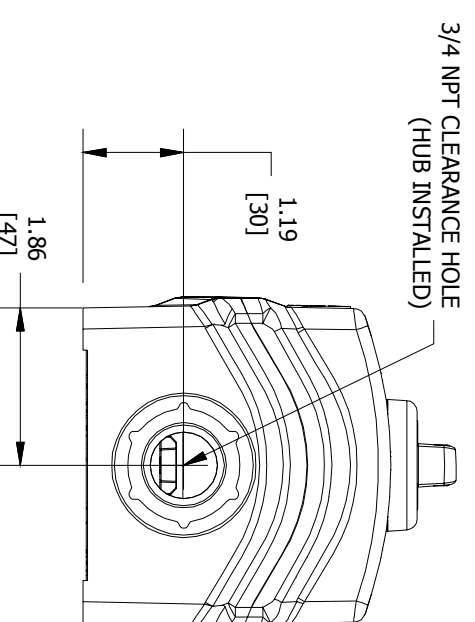
FRONT VIEW



RIGHT SIDE VIEW



SECTION A-A VIEW



BOTTOM VIEW

| ENTRY HUB/GLAND SELECTION CHART* | |
|----------------------------------|-------------|
| ENTRY NO. | HUB/GLAND: |
| ENTRY 1 | K8: WH-2SSG |

*HUBS & CABLE GLANDS ARE SHIPPED WITH ENCLOSURE

| COMMENT: | SGN: | DATE: | ACCEPTANCE: | DRAWN BY: | DATE: | DWG NUMBER: | ITEM: |
|----------|------|-------|---|-----------|------------|----------------|-------|
| | | | CODE 1: APPROVED (NO COMMENTS) | | 08/19/2016 | HKH1ANP25540K8 | N/A |
| | | | CODE 2: APPROVED FOR MANUFACTURING WITH COMMENTS TO BE INCORPORATED | | | | |
| | | | CODE 3: NOT APPROVED RE-SUBMIT | | | | |
| | | | CODE 4: FOR INFORMATION ONLY | | | | |

| REVISION | DESCRIPTION | DATE | BY | REASON |
|----------|-------------|------|----|--------|
| A | REVISION | | | |



HKH SERIES
CONTROL STATIONS
HKH1ANP25540K8
COUNT/DATE CODE

MFG. NAME PLATE (REF.)