

4

3

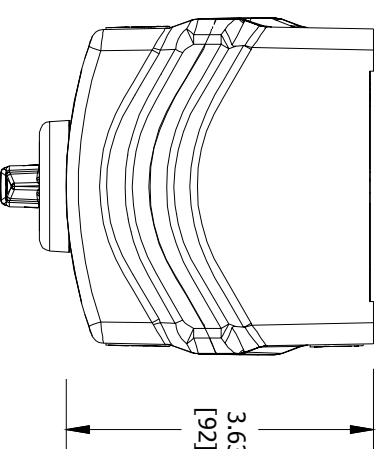
2

1

ENCLOSURE INFORMATION	
P/N:	DESCRIPTION:
23196CBAM	BOX PLASTIC 1ø, 3/4 NPT BOTTOM
COVER:	COVER PLASTIC HKH 1ø, SINGLE DEVICE
MOUNT METHOD:	HKH PANEL MOUNT BRACKET, C. B. & P. L. (1 PL.)
	AC690V 16A AC-12
	AC230V 16A AC-15
	50-60HZ
P/N:	DESCRIPTION:
HKH2P5MTV	3 POS SEL SWT MOM LT, MAINT CTR/RT, VERT
LGND. PLATE:	Blank
LOCKOUT ACQY:	N/A
CONTACT 1:	CONTACT BLCK, FACT SEALED N.O. PM, 20A
CONTACT 2:	CONTACT BLCK, FACT SEALED N.O. PM, 20A

CONTACT BLOCK RATINGS:  
690 VAC, 20A, 50-60  
60 VDC, 5A, 110VDC, 1.5A

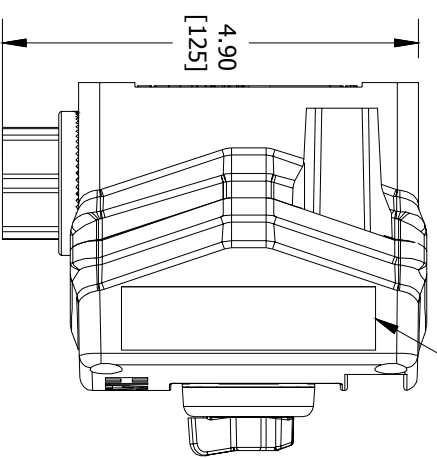
1/2 HP @ 120 VAC, 1 HP @ 208/240/277VAC  
NEMA A600/P600 - PILOT DUTY  
350VAC, 20A - TUNGSTEN  
AC690V 16A AC-12  
AC230V 16A AC-15  
50-60HZ  
DC60V 5A DC-13  
TERMINALS RATED FOR 1-2 CONDUCTORS  
#22-10 AWG. (0.5-4mm<sup>2</sup>)



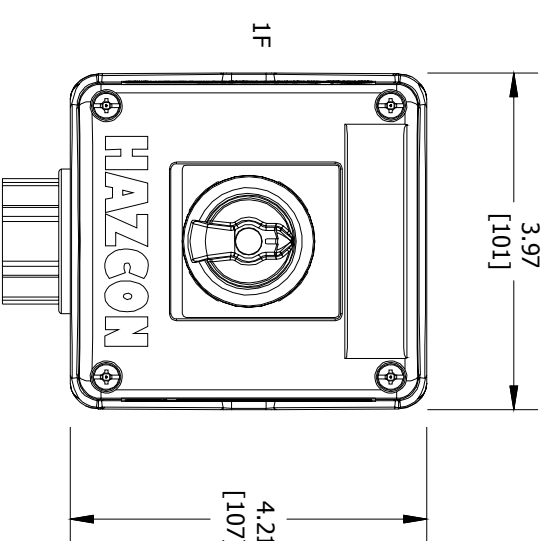
TOP VIEW

 Harsh & Hazardous <a href="http://www.harshandhazardous.com">www.harshandhazardous.com</a>	<b>CAT. NO.</b> <b>HKHMOD Series</b>	<b>DATE CODE 5/N</b> ST. LOUIS, MO 63113
	<b>INDUSTRIAL CONTROL EQUIPMENT FOR USE IN ZONE CLASSIFIED HAZ. LOCS.</b> CLASS I, ZONE 1, AEx de IIC T6...T4 Gb; Ex de IIC T6...T4 Gb ZONE 21, AEx tb IIC T85°C...T135°C Db IP66; Ex tb IIC T85°C...T135°C Db IP66 CLASS I, DIV.2, GRPS. A,B,C,D; CLASS II, DIV.1, GRPS. E,F,G (CANADA ONLY) CLASS II, DIV.2, GROUPS E,F,G, CLASS III CLASS III, TYPE 3/4/4X/12/13, -50°C ≤Tas+60°C	<b>SEE IOM FORM K1466 FOR ELECTRICAL RATINGS.</b>
 0539 @ IIC T6...T4 Gb DEMKO 15 ATEX 1405X Ex de IIC T6...T4 Gb; Ex tb IIC T85°C...T135°C Db IP66 IECEx UL 15.0054X -50°C ≤Tas+60°C -40°C ≤Tas+55°C WITH AMMETER)	<b>FOR T-CODES AND FOR ELECTRICAL RATINGS.</b>  <b>TR RU C-US, M1062, B,04167</b>	<b>IEX 16.0079 INMETRO</b>
 Harsh & Hazardous <a href="http://www.harshandhazardous.com">www.harshandhazardous.com</a>	<b>CAT. NO.</b> <b>HKHMOD Series</b>	<b>DATE CODE 5/N</b> ST. LOUIS, MO 63113

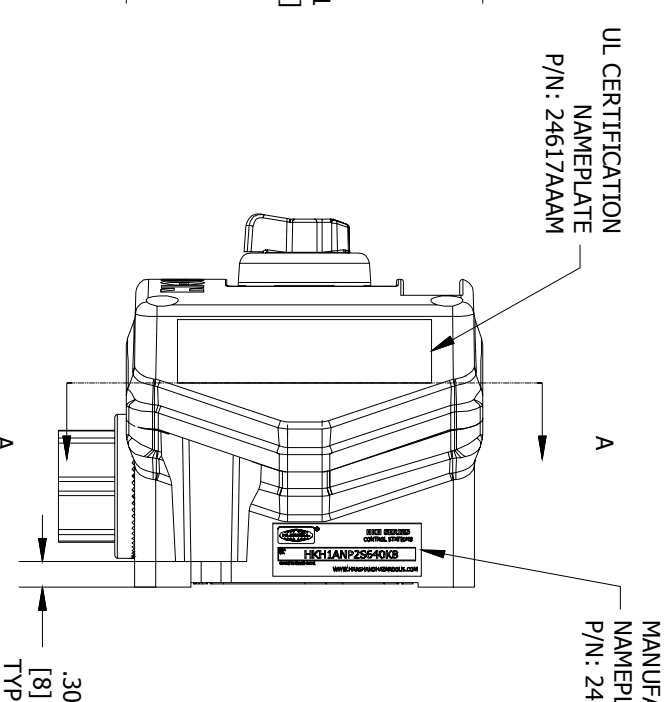
CERTIFICATION NAME PLATES



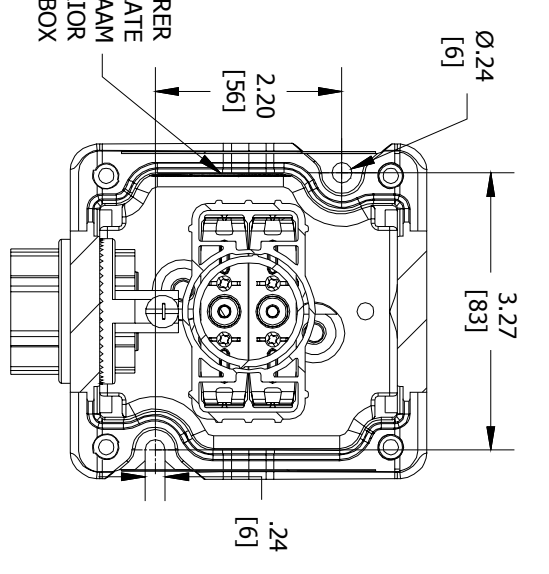
LEFT SIDE VIEW



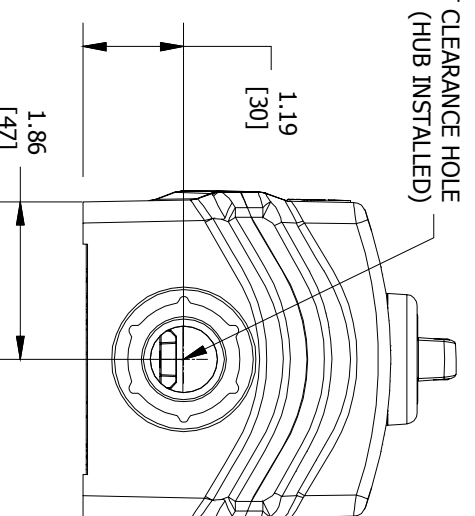
FRONT VIEW



RIGHT SIDE VIEW



SECTION A-A VIEW



BOTTOM VIEW

COMMENT:

SGN:

DATE:

ACCEPTANCE:

DRAWN BY:

DATE:

DWG NUMBER:

ENTRY NO.

ITEM:

CODE 1: APPROVED (NO COMMENTS)

CODE 2: APPROVED FOR MANUFACTURING WITH COMMENTS TO BE INCORPORATED

CODE 3: NOT APPROVED RE-SUBMIT

TITLE:

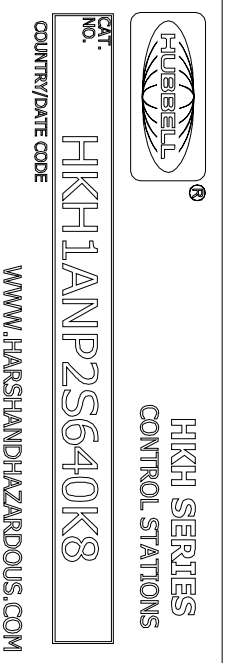
08-22-2016

SALES/QUOTE NO.:

N/A

ENTRY HUB/GLAND SELECTION CHART*	
ENTRY NO.	HUB/GLAND:
ENTRY 1	K8: WH-255G

\*HUBS & CABLE GLANDS ARE SHIPPED WITH ENCLOSURE



MFG. NAME PLATE (REF.)

4

3

2

1

REVISION



KILLARK

THIS DOCUMENT IS THE PROPERTY OF HUBBELL - KILLARK. IT IS LOANED TO YOU AND MUST NOT BE USED IN ANY WAY DETRIMENTAL TO THE INTEREST HUBBELL - KILLARK.

HKH MODIFIED ENCLOSURE (HKH1ANP2S640K8)

SHEET 1 OF 1