

4

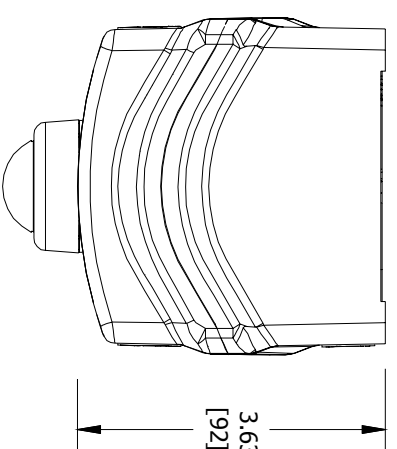
3

2

1

ENCLOSURE INFORMATION	
P/N:	DESCRIPTION:
23196KBAM	BOX PLASTIC 1q, M20 BOTTOM
23193BAAB	COVER PLASTIC HKH 1q, SINGLE DEVICE
HKHPMBRKT	HKH PANEL MOUNT BRACKET, C. B. & P. L. (1 PL.)
MOUNT METHOD:	
DEVICE 1 ASSEMBLY (1P)	
P/N:	DESCRIPTION:
HKHPLR	PILOT LIGHT RED LENS ASSEMBLY
LGND. PLATE:	Blank
LOCKOUT ACQY:	N/A
CONTACT 1:	PILOT LIGHT MOD,PM

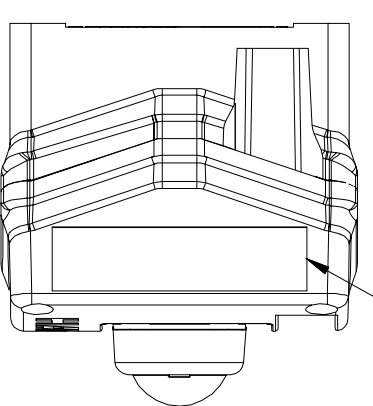
PILOT LIGHT RATINGS:
 LIGHT EMITTING DIODE
 12-254 VAC/DC LED
 0.6WTERMINALS RATED FOR 1-2 CONDUCTORS
 #22-10 AWG. (0.5-4mm2)



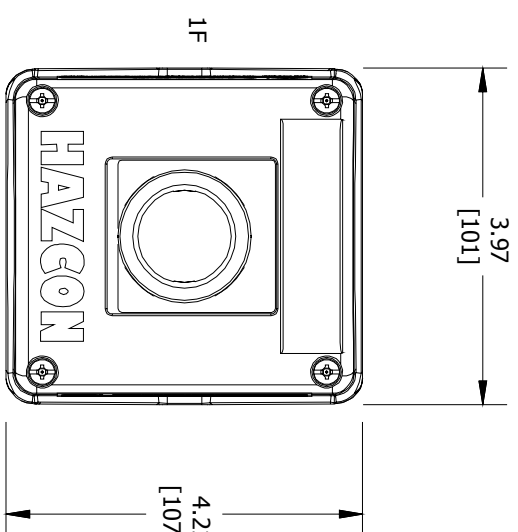
TOP VIEW

CERTIFICATION NAME PLATES

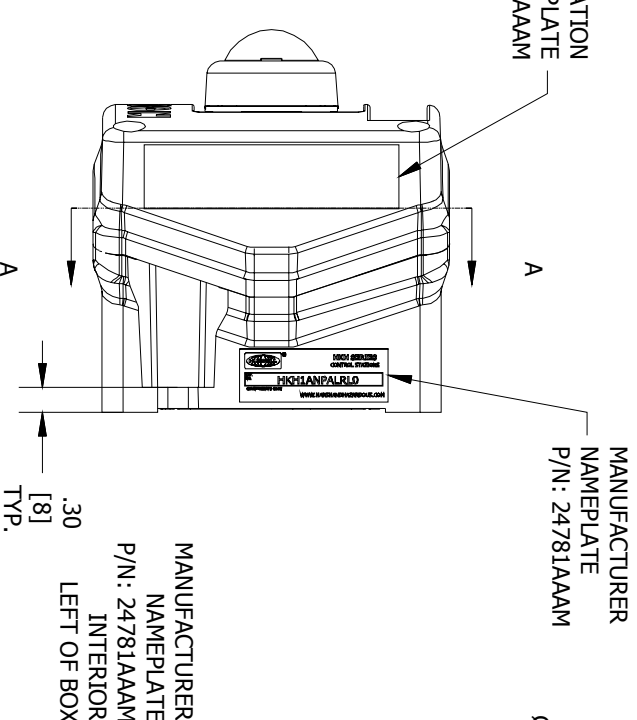
 Harsh & Hazardous WWW.HARSHANDHAZARDOUS.COM	CAT. NO. HKHMOD Series DATE CODE-S/N ST. LOUIS, MO 63113
	SEE IOM FORM K1466 & K1470 FOR T-CODES AND FOR ELECTRICAL RATINGS.
INDUSTRIAL CONTROL EQUIPMENT FOR USE IN ZONE CLASSIFIED HAZ. LOCS. CLASS I, ZONE 1, AEx de IIC T6...T4 Gb; Ex de IIC T6...T4 Gb ZONE 21, AEx tb IIIC T85°C...T135°C Db IP66; Ex tb IIIC T85°C...T135°C Db IP66 CLASS I, DIV.2, GRPS. A,B,C,D; CLASS II, DIV.1, GRPS. E,F,G (CANADA ONLY) CLASS II, DIV.2, GROUPS E,F,G; CLASS III CLASS III: TYPE 3/4/4X/12/13; -50°C ≤Tas+60°C	DEMKO 15 ATEX 1405X Ex tb IIC T6...T4 Gb; Ex tb IIC T85°C...T135°C Db IP66 IECEx UL 15,0054X -50°C ≤Tas+60°C (-40°C ≤Tas+55°C WITH AMMETER)
TR RU C-US.M1062.B.04167 IEX 16.0079 INMETRO	 LISTED A243



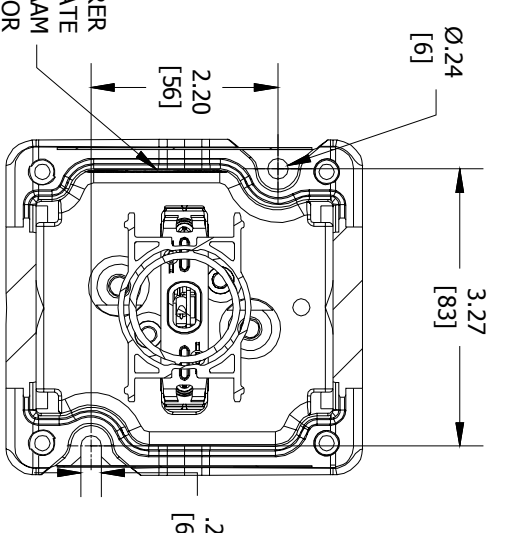
LEFT SIDE VIEW



FRONT VIEW



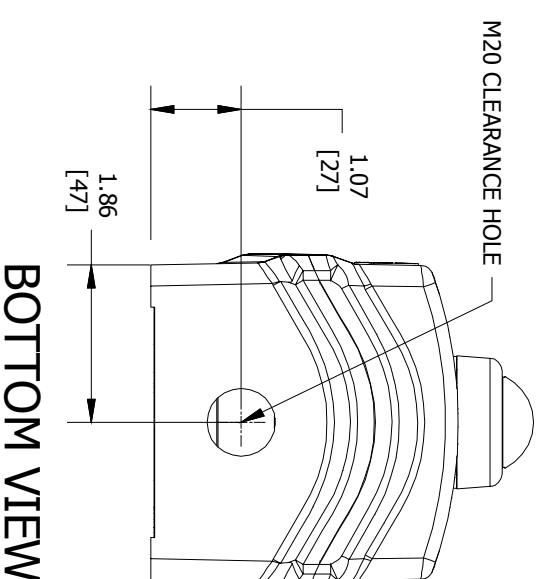
RIGHT SIDE VIEW



SECTION A-A VIEW

B

B



BOTTOM VIEW

ENTRY HUB/GLAND SELECTION CHART*

ENTRY NO.	HUB/GLAND:
ENTRY 1	NONE

*HUBS & CABLE GLANDS ARE SHIPPED WITH ENCLOSURE

COMMENT:

SGN:

DATE:

ACCEPTANCE:

DRAWN BY:

DATE:

DWG NUMBER:

CODE 1: APPROVED (NO COMMENTS)

CODE 2: APPROVED FOR MANUFACTURING

CODE 3: NOT APPROVED RE-SUBMIT

CODE 4: FOR INFORMATION ONLY

PR

07-29-2016

SALES/QUOTE NO.:

ITEM:



HKH SERIES CONTROL STATIONS

HKH1ANPALRLO

WWW.HARSHANDHAZARDOUS.COM

MFG. NAME PLATE (REF.)

REVISION



KILLARK

THIS DOCUMENT IS THE PROPERTY OF HUBBEL - KILLARK. IT IS LOANED TO YOU AND MUST NOT BE USED IN ANY WAY DETRIMENTAL TO THE INTEREST HUBBEL - KILLARK.

HKH MODIFIED ENCLOSURE (HKH1ANPALRLO)

SHEET 1 OF 1

A

A

C

C

4

3

2

1