

4

3

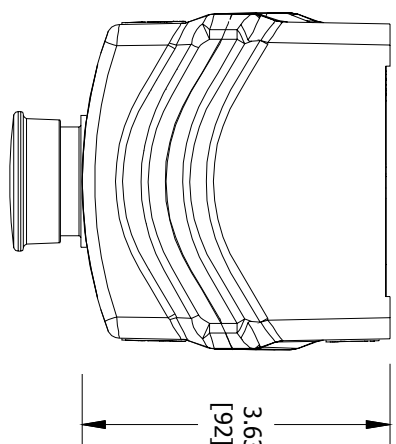
2

1

ENCLOSURE INFORMATION	
P/N:	DESCRIPTION:
23196KBAM	BOX PLASTIC 1q, M20 BOTTOM
23193BAAB	COVER PLASTIC HKH 1q, SINGLE DEVICE
HKHMBRKT	HKH PANEL MOUNT BRACKET, C. B. & P. L. (1 PL.)
MOUNT METHOD:	
DEVICE 1 ASSEMBLY (1F)	
P/N:	DESCRIPTION:
HKHPBMTMR	MAINTAINED PUSH PULL MUSHROOM HD, RED
LGND. PLATE:	EMERGENCY STOP
LOCKOUT ACY:	N/A
CONTACT 1:	CONTACT BLACK, FACT SEALED N.O. PM, 20A
CONTACT 2:	CONTACT BLACK, FACT SEALED N.O. PM, 20A

CONTACT BLOCK RATINGS:
 690 VAC, 20A, 50-60
 60 VDC, 5A, 110VDC, 1.5A

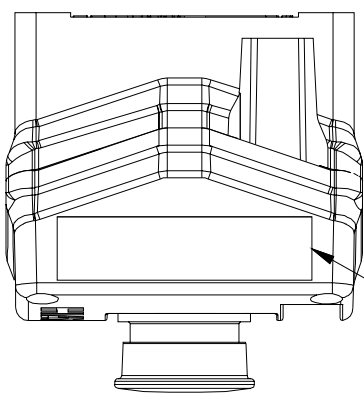
1/2 HP @ 120 VAC, 1 HP @ 208/240/277VAC
 NEMA A600/P600 - PILOT DUTY
 350VAC, 20A - TUNGSTEN
 AC690V 16A AC-12
 AC230V 16A AC-15
 50-60HZ
 DC60V 5A DC-13
 TERMINALS RATED FOR 1-2 CONDUCTORS
 #22-10 AWG. (0.5-4mm²)



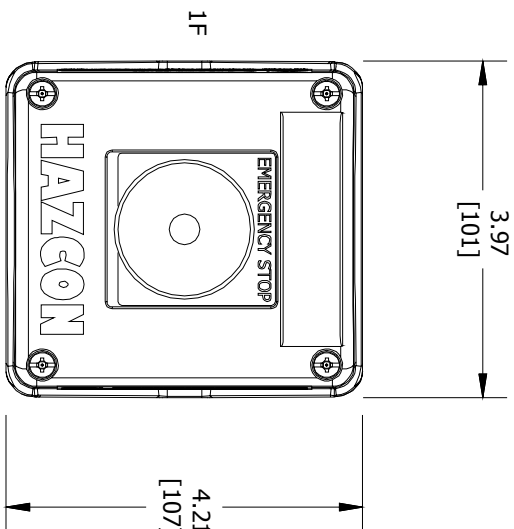
TOP VIEW

	CAT. NO. HKHMOD Series	DATE CODE-S/N ST. LOUIS, MO 63113		SEE IOM FORM K1466 & K1470 FOR T-CODES AND FOR ELECTRICAL RATINGS.
IEC CERTIFICATION NAMEPLATE P/N: 24617BAAM	UL CERTIFICATION NAMEPLATE P/N: 24617AAAM	MANUFACTURER NAMEPLATE P/N: 24781AAAM	MANUFACTURER NAMEPLATE INTERIOR LEFT OF BOX	SEE IOM FORM K1466 FOR ELECTRICAL RATINGS.

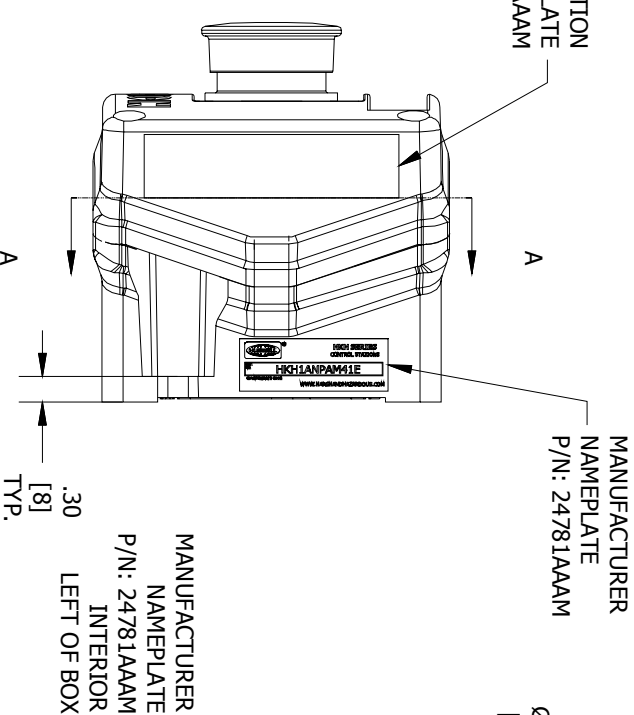
CERTIFICATION NAME PLATES



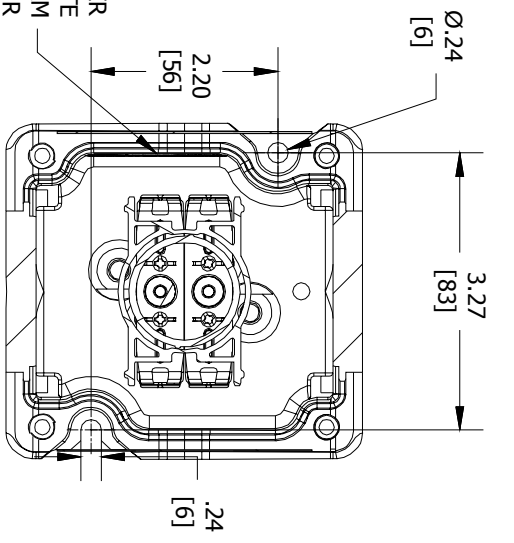
LEFT SIDE VIEW



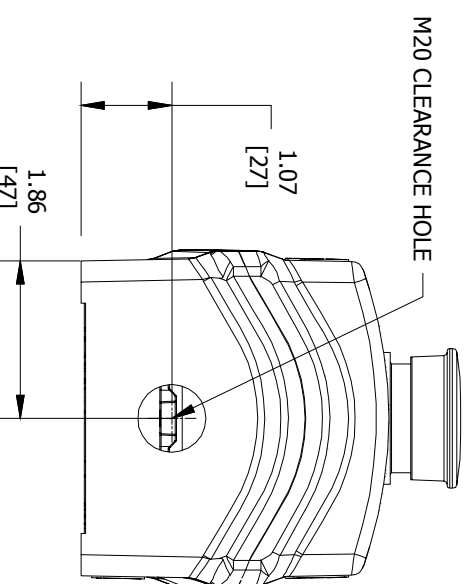
FRONT VIEW



RIGHT SIDE VIEW



SECTION A-A VIEW



BOTTOM VIEW

COMMENT:

SGN:

DATE:

ACCEPTANCE:

DRAWN BY:

DATE:

DWG NUMBER:

ENTRY HUB/GLAND SELECTION CHART*	
ENTRY NO.	HUB/GLAND:
ENTRY 1	NONE

*HUBS & CABLE GLANDS ARE SHIPPED WITH ENCLOSURE

CODE 1: APPROVED (NO COMMENTS)

CODE 2: APPROVED FOR MANUFACTURING WITH COMMENTS TO BE INCORPORATED

CODE 3: NOT APPROVED RE-SUBMIT

CODE 4: FOR INFORMATION ONLY

TITLE:

SALES/QUOTE NO.:

ITEM:

	HKH SERIES CONTROL STATIONS
	HKH1ANPAM41E
COUNT/DATE CODE	WWW.HARSHANDHAZARDOUS.COM

MFG. NAME PLATE (REF.)

REVISION



KILLARK

THIS DOCUMENT IS THE PROPERTY OF HUBBELL - KILLARK. IT IS LOANED TO YOU AND MUST NOT BE USED IN ANY WAY DETRIMENTAL TO THE INTEREST HUBBELL - KILLARK.

HKH MODIFIED ENCLOSURE (HKH1ANPAM41E)

SHEET 1 OF 1

A

B

C

D

A

B

C

D