

4

3

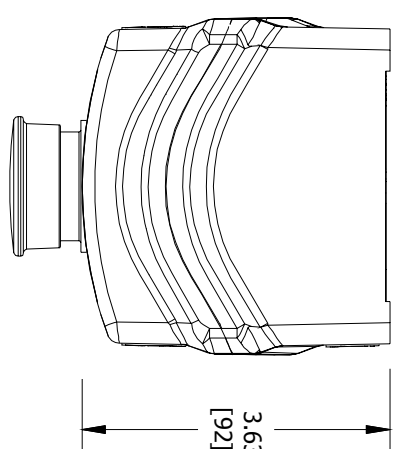
2

1

ENCLOSURE INFORMATION	
P/N:	DESCRIPTION:
23196KBAM	BOX PLASTIC 1q, M20 BOTTOM
COVER:	COVER PLASTIC HKH 1q, SINGLE DEVICE
MOUNT METHOD:	HKH PANEL MOUNT BRACKET, C. B. & P. L. (1 PL.)
DEVICE 1 ASSEMBLY (1F)	
P/N:	DESCRIPTION:
HKHBPMTMG	MAINTAINED PUSH PULL MUSHROOM HD, GRN
LGND. PLATE:	START
LOCKOUT ACQY:	N/A
CONTACT 1:	CONTACT BLACK, FACT SEALED N.O. PM, 20A
CONTACT 2:	CONTACT BLACK, FACT SEALED N.O. PM, 20A

CONTACT BLOCK RATINGS:
 690 VAC, 20A, 50-60
 60 VDC, 5A, 110VDC, 1.5A

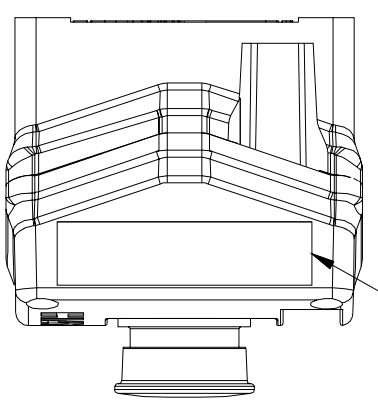
1/2 HP @ 120 VAC, 1 HP @ 208/240/277VAC
 NEMA A600/P600 - PILOT DUTY
 350VAC, 20A - TUNGSTEN
 AC690V 16A AC-12
 AC230V 16A AC-15
 50-60HZ
 DC60V 5A DC-13
 TERMINALS RATED FOR 1-2 CONDUCTORS
 #22-10 AWG. (0.5-4mm²)



TOP VIEW

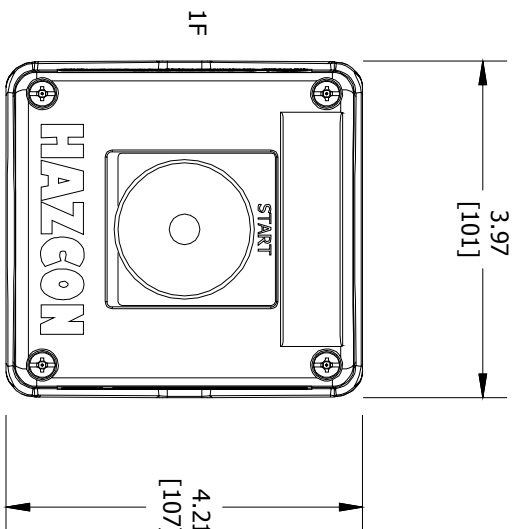
 Harsh & Hazardous WWW.HARSHANDHAZARDOUS.COM	CAT. NO. 0539 I2G Ex de IIC T6...T4 Gb 0539 I2D Ex tb IIC T85°C...T135°C Db IP66 DEMKO 15 ATEX 1405X Ex de IIC T6...T4 Gb; Ex tb IIC T85°C...T135°C Db IP66 IECEx UL 15 0054X -50°C STa5+60°C (-40°C STa5+55°C WITH AMMETER)	CAT. NO. HKHMOD Series SEE IOM FORM K1466 & K1470 FOR T-CODES AND FOR ELECTRICAL RATINGS.	DATE CODE/S/N TR RU C-US.M1062.B.04167 IEX 16.0079 INMETRO
	CAT. NO. HKHMOD Series SEE IOM FORM K1466 FOR ELECTRICAL RATINGS.	DATE CODE/S/N ST. LOUIS, MO 63113	 UL LISTED A243

CERTIFICATION NAME PLATES

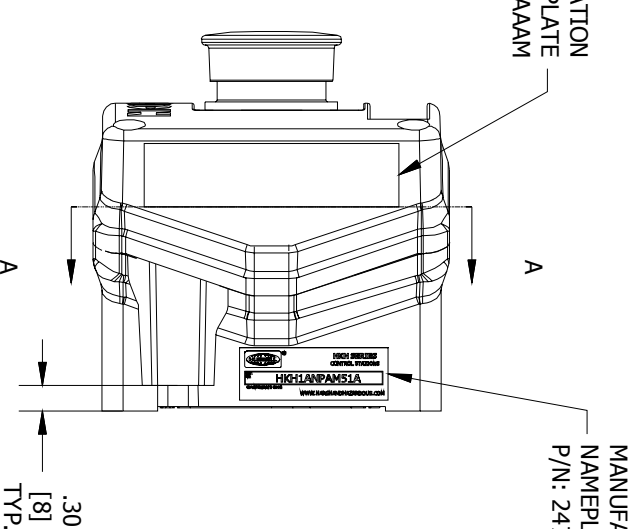


IEC CERTIFICATION
 NAMEPLATE
 P/N: 24617BAAM

LEFT SIDE VIEW



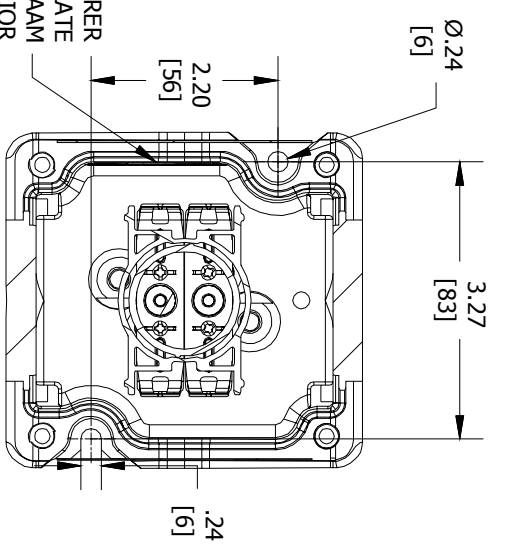
FRONT VIEW



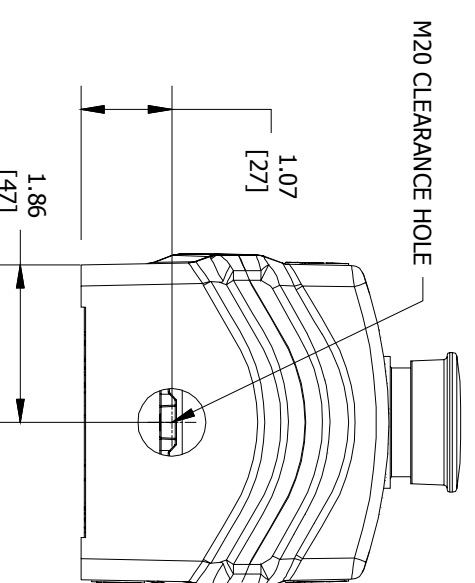
UL CERTIFICATION
 NAMEPLATE
 P/N: 24617AAAM

MANUFACTURER
 NAMEPLATE
 P/N: 24781AAAM

RIGHT SIDE VIEW



SECTION A-A VIEW



BOTTOM VIEW

COMMENT:

ACCEPTANCE:

DRAWN BY:

DATE:

DWG NUMBER:

SGN:

CODE 1: APPROVED (NO COMMENTS)
CODE 2: APPROVED FOR MANUFACTURING WITH COMMENTS TO BE INCORPORATED
CODE 3: NOT APPROVED RE-SUBMIT
CODE 4: FOR INFORMATION ONLY

PR

07/25/2016

SALES/QUOTE NO.:

ITEM:

MFG. NAME PLATE (REF.)

REVISION

KILLARK

HKH MODIFIED ENCLOSURE (HKH1ANPAM51A)

SHEET 1 OF 1

ENTRY HUB/GLAND SELECTION CHART*	
ENTRY NO.	HUB/GLAND:
ENTRY 1	NONE

*HUBS & CABLE GLANDS ARE SHIPPED WITH ENCLOSURE

A

B

C

D

A

B

C

D