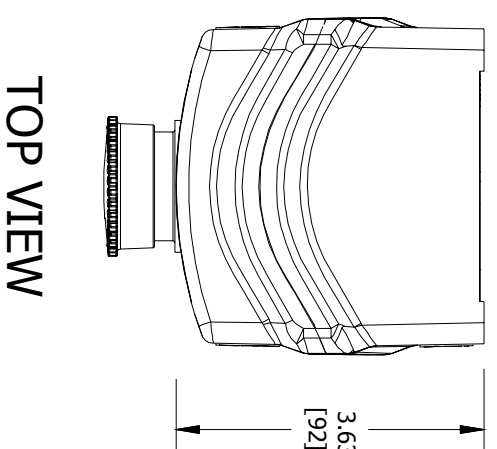
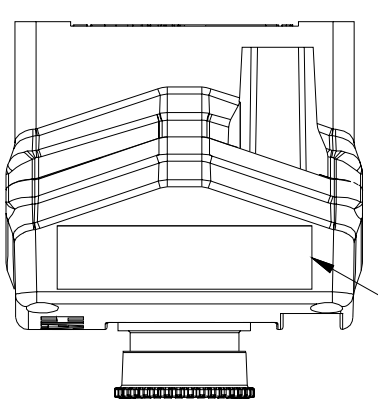


ENCLOSURE INFORMATION	
P/N:	DESCRIPTION:
23196KBAM	BOX PLASTIC 1q, M20 BOTTOM
23193BAAB	COVER PLASTIC HKH 1q, SINGLE DEVICE
HKH1MBRKT	HKH PANEL MOUNT BRACKET, C. B. & P. L. (1 PL.)
MOUNT METHOD:	
AC690V 16A AC-12	
AC230V 16A AC-15	
50-60HZ	
DC60V 5A DC-13	
TERMINALS RATED FOR 1-2 CONDUCTORS	
#22-10 AWG. (0.5-4mm ²)	
DEVICE 1 ASSEMBLY (1F)	
P/N:	DESCRIPTION:
HKH1B1TMR	MAINTAINED P. B. TWIST REL, MUSH HD, RED
23225TAAB	EMERGENCY STOP
LOCKOUT ACY:	
N/A	
CONTACT 1:	CONTACT BLACK, FACT SEALED N.O. PM, 20A
CONTACT 2:	CONTACT BLACK, FACT SEALED N.O. PM, 20A

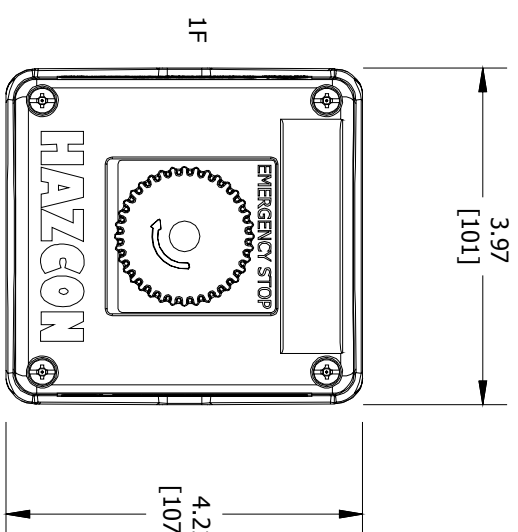
CONTACT BLOCK RATINGS:
690 VAC, 20A, 50-60
60 VDC, 5A, 110VDC, 1.5A



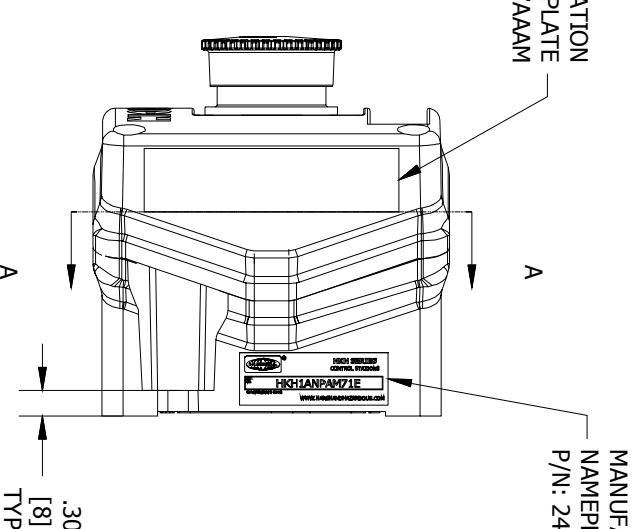
TOP VIEW



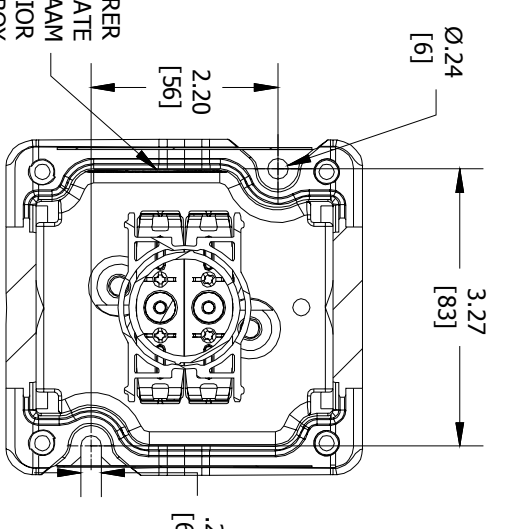
LEFT SIDE VIEW



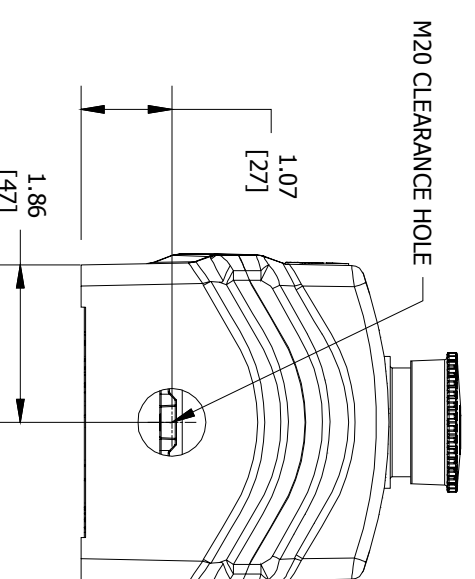
FRONT VIEW



RIGHT SIDE VIEW



SECTION A-A VIEW



BOTTOM VIEW

		CAT. HKHMOD Series		DATE CODE 5/N
Harsh & Hazardous www.harshandhazardous.com		CAT. NO. HKHMOD Series		ST. LOUIS, MO 63113
INDUSTRIAL CONTROL EQUIPMENT FOR USE IN ZONE CLASSIFIED HAZ. LOCs. CLASS I, ZONE 1, AEx de IIC T6...T4 Gb; Ex de IIC T6...T4 Gb ZONE 21, AEx tb IIIC T85°C...T135°C Db IP66; Ex tb IIIC T85°C...T135°C Db IP66 CLASS I, DIV.2, GRPS. A, B, C, D; CLASS II, DIV.1, GRPS. E, F, G (CANADA ONLY) CLASS II, DIV.2, GROUPS E, F, G; CLASS III CLASS III; TYPE 3/4/4X/12/13; -50°C ≤Tas+60°C		SEE IOM FORM K1466 FOR ELECTRICAL RATINGS.		A2.43
IEC CERTIFICATION NAMEPLATE P/N: 24617BAAM		UL CERTIFICATION NAMEPLATE P/N: 24617AAAM		TR RU C-US, M1062, B.04167 IEX 16.0079 INVERTRO
MANUFACTURER NAMEPLATE INTERIOR LEFT OF BOX P/N: 24781AAAM		MANUFACTURER NAMEPLATE INTERIOR LEFT OF BOX P/N: 24781AAAM		EX IEC IECEx IECEx

CERTIFICATION NAME PLATES

		HKH SERIES CONTROL STATIONS	
CAT. NO. HKH1ANPAM71E		COUNT/DATE CODE	
www.harshandhazardous.com			

MFG. NAME PLATE (REF.)

COMMENT:

SGN:

DATE:

ACCEPTANCE:

DRAWN BY:

DATE:

DWG NUMBER:

ENTRY HUB/GLAND SELECTION CHART*

CODE 1: APPROVED (NO COMMENTS)

CODE 2: APPROVED FOR MANUFACTURING

WITH COMMENTS TO BE INCORPORATED

CODE 3: NOT APPROVED RE-SUBMIT

CODE 4: FOR INFORMATION ONLY

PR

SALES/QUOTE NO.:

ITEM: N/A

REVISION

REVISION

REVISION

REVISION

REVISION

REVISION

REVISION

REVISION

REVISION



KILLARK

THIS DOCUMENT IS THE PROPERTY OF HUBBELL - KILLARK. IT IS LOANED TO YOU AND MUST NOT BE USED IN ANY WAY DETRIMENTAL TO THE INTEREST HUBBELL - KILLARK.

HKH MODIFIED ENCLOSURE (HKH1ANPAM71E)

REVISION

REVISION

REVISION

SHEET 1 OF 1