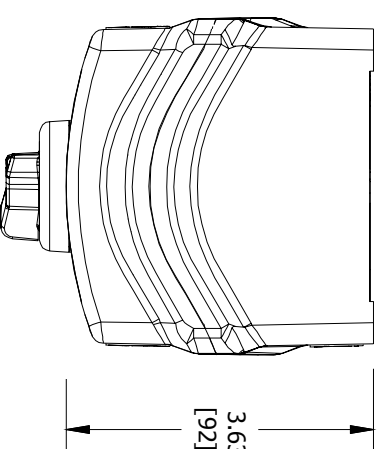
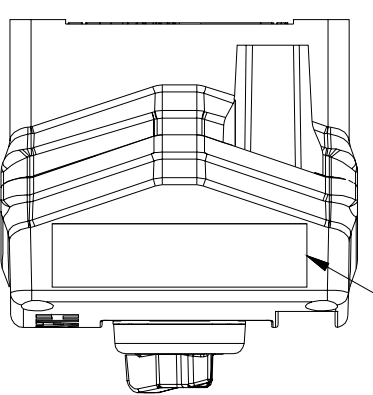


ENCLOSURE INFORMATION	
P/N:	DESCRIPTION:
23196KBAM	BOX PLASTIC 1q, M20 BOTTOM
COVER: 23193BAAB	COVER PLASTIC HKH 1q, SINGLE DEVICE
MOUNT METHOD: HKHPMBRKT	HKH PANEL MOUNT BRACKET, C. B. & P. L. (1 PL.)
DEVICE 1 ASSEMBLY (1F) P/N: DESCRIPTION: HKH2PSMTV 2 POS SEL SWT MOMENTARY RIGHT, VERT LGND. PLATE: 23225AAAB Blank LOCKOUT ACQY: NONE N/A CONTACT 1: HKHINO20P CONTACT BLCK, FACT SEALED N.O. PM, 20A CONTACT 2: HKHINC20P CONTACT BLCK, FACT SEALED N.C. PM, 20A	

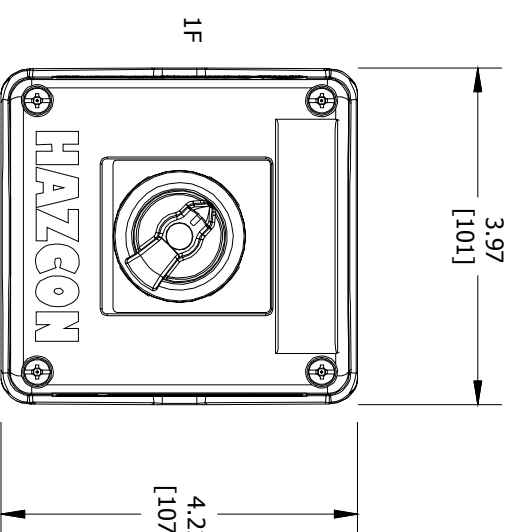
CONTACT BLOCK RATINGS:
 690 VAC, 20A, 50-60
 60 VDC, 5A, 110VDC, 1.5A
 1/2 HP @ 120 VAC, 1 HP @ 208/240/277VAC
 NEMA A600/P600 - PILOT DUTY
 350VAC, 20A - TUNGSTEN
 AC690V 16A AC-12
 AC230V 16A AC-15
 50-60HZ
 DC60V 5A DC-13
 TERMINALS RATED FOR 1-2 CONDUCTORS
 #22-10 AWG. (0.5-4mm²)



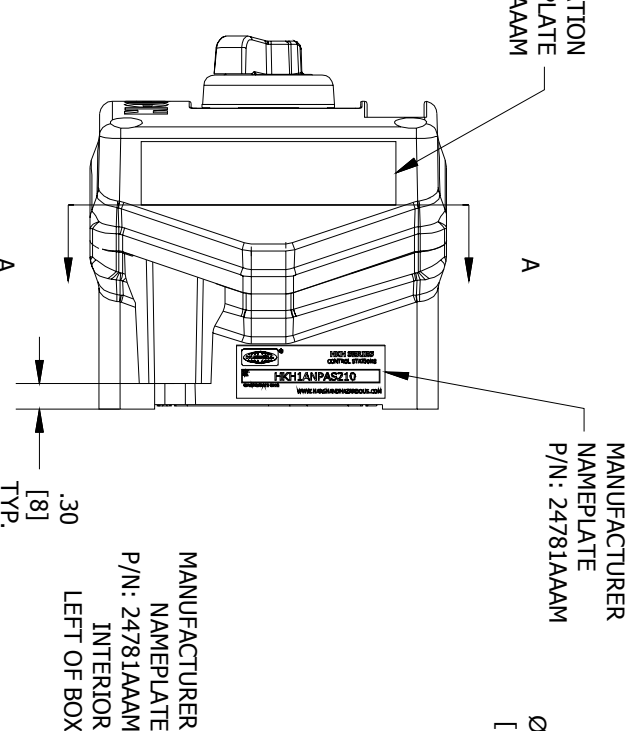
TOP VIEW



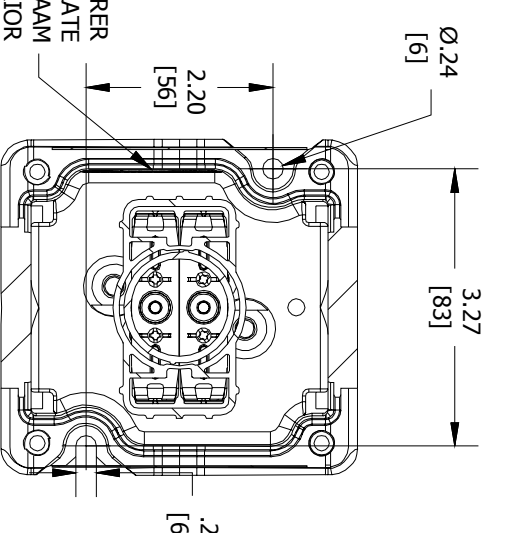
LEFT SIDE VIEW



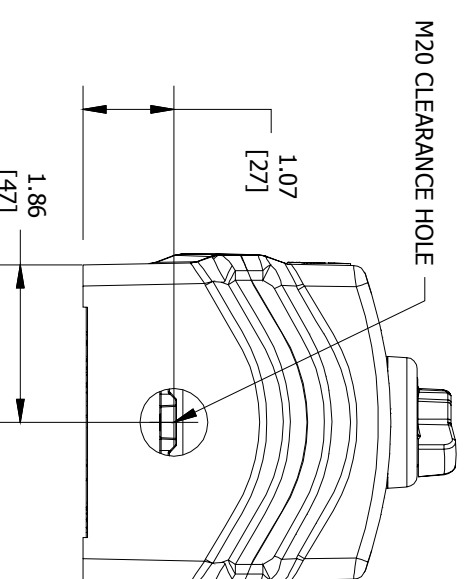
FRONT VIEW



RIGHT SIDE VIEW



SECTION A-A VIEW



BOTTOM VIEW

 Harist & Hazardous WWW.HARSHANDHAZARDOUS.COM	CAT. NO. HKHMOD Series DATE CODE-S/N	ST. LOUIS, MO 63113 SEE IOM FORM K1466 & K1470 FOR T-CODES AND FOR ELECTRICAL RATINGS.	 LISTED A243
	IEC CERTIFICATION NAMEPLATE P/N: 24617BAAM UL CERTIFICATION NAMEPLATE P/N: 24617AAAM MANUFACTURER NAMEPLATE P/N: 24781AAAM		
INDUSTRIAL CONTROL EQUIPMENT FOR USE IN ZONE CLASSIFIED HAZ. LOCs. CLASS I, ZONE 1, AEx de IIC T6...T4 Gb; Ex de IIC T6...T4 Gb ZONE 21, AEx tb IIIC T85°C...T135°C; Db IP66; Ex tb IIIC T85°C...T135°C Db IP66 CLASS I, DIV.2, GRPS. A,B,C,D; CLASS II, DIV.1, GRPS. E,F,G (CANADA ONLY) CLASS II, DIV.2, GROUPS E,F,G; CLASS III CLASS III; TYPE 3/4/4X/12/13; -50°C ≤Tas≤+60°C SEE IOM FORM K1466 FOR ELECTRICAL RATINGS.			
CAT. NO. HKHMOD Series WWW.HARSHANDHAZARDOUS.COM DATE CODE-S/N			

CERTIFICATION NAME PLATES

HKH SERIES
 CONTROL STATIONS
 MFG. NO. **HKH1ANPAS210**
 COUNT/DATE CODE
 WWW.HARSHANDHAZARDOUS.COM

MFG. NAME PLATE (REF.)

COMMENT:

SGN:

DATE:

ACCEPTANCE:

DRAWN BY:

DATE:

DWG NUMBER:

ENTRY NO. HUB/GLAND:

ITEM:

CODE 1: APPROVED (NO COMMENTS)

CODE 2: APPROVED FOR MANUFACTURING

PR

08/16/2016

SALES/QUOTE NO.:

ENTRY 1 NONE

WITH COMMENTS TO BE INCORPORATED

CODE 3: NOT APPROVED RE-SUBMIT

TITLE:

HKH MODIFIED ENCLOSURE

N/A

N/A

CODE 4: FOR INFORMATION ONLY

REVISION



KILLARK

THIS DOCUMENT IS THE PROPERTY OF HUBBELL - KILLARK. IT IS LOANED TO YOU AND MUST NOT BE USED IN ANY WAY DETRIMENTAL TO THE INTEREST HUBBELL - KILLARK.

HKH MODIFIED ENCLOSURE (HKH1ANPAS210)

SHEET 1 OF 1

1

1

1