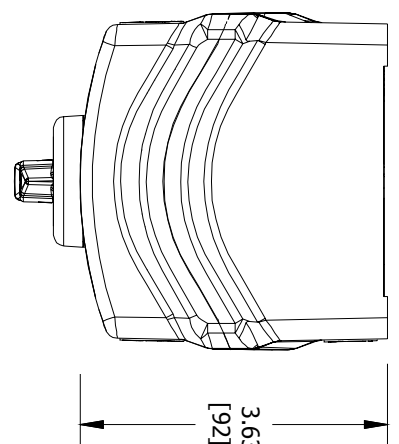


ENCLOSURE INFORMATION	
P/N:	DESCRIPTION:
23196KBAM	BOX PLASTIC 1q, M20 BOTTOM
COVER: 23193BAAB	COVER PLASTIC HKH 1q, SINGLE DEVICE
MOUNT METHOD: HKHPMBRKT	HKH PANEL MOUNT BRACKET, C. B. & P. L. (1 PL.)
	AC230V 16A AC-12
	AC230V 16A AC-15
	50-60HZ
	DC60V 5A DC-13
	TERMINALS RATED FOR 1-2 CONDUCTORS
	#22-10 AWG. (0.5-4mm <sup>2</sup> )

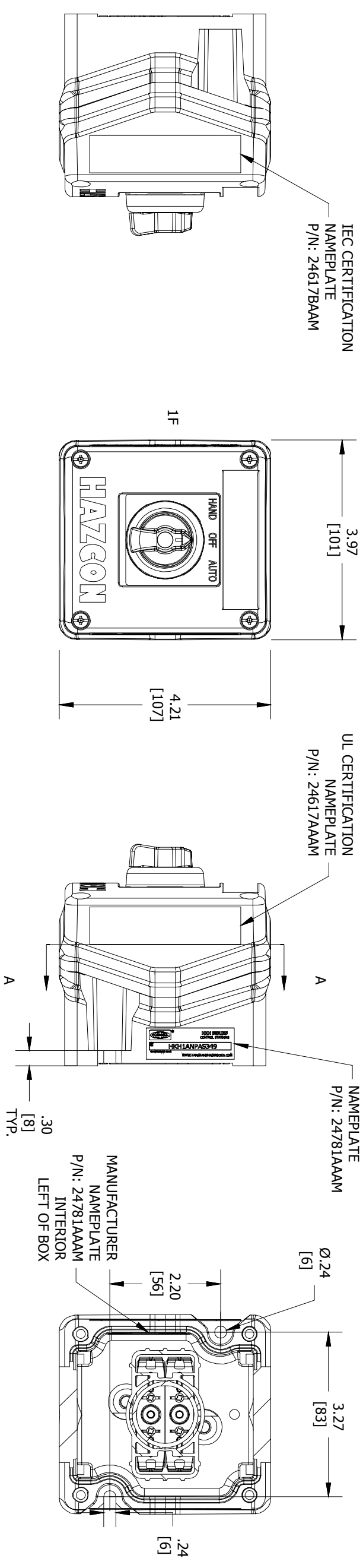
CONTACT BLOCK RATINGS:  
690 VAC, 20A, 50-60  
60 VDC, 5A, 110VDC, 1.5A



TOP VIEW

 <b>HKHM0D Series</b> CAT. NO. HKHM0D Series DATE CODE 5/N	DATE CODE 5/N ST. LOUIS, MO 63113
	SEE IOM FORM K1466 & K1470 FOR 1-CODES AND FOR ELECTRICAL RATINGS.
INDUSTRIAL CONTROL EQUIPMENT FOR USE IN ZONE CLASSIFIED HAZ. LOCS. CLASS I, ZONE 1, AEx de IIC T6...T4 Gb; Ex de IIC T6...T4 Gb ZONE 21, AEx tb IIIC T85°C...T135°C Db IP66; Ex tb IIIC T85°C...T135°C Db IP66 CLASS I, DIV.2, GRPS. A,B,C,D; CLASS II, DIV.1, GRPS. E,F,G (CANADA ONLY) CLASS II, DIV.2, GROUPS E,F,G; CLASS III CLASS III; TYPE 3/4/4X/12/13; -50°C STAs+60°C SEE IOM FORM K1466 FOR ELECTRICAL RATINGS.	TR RU C-US, M1062,B,04167 IEX 16.0079 INNETRO
CAT. NO. HKHM0D Series DATE CODE 5/N	ST. LOUIS, MO 63113

CERTIFICATION NAME PLATES

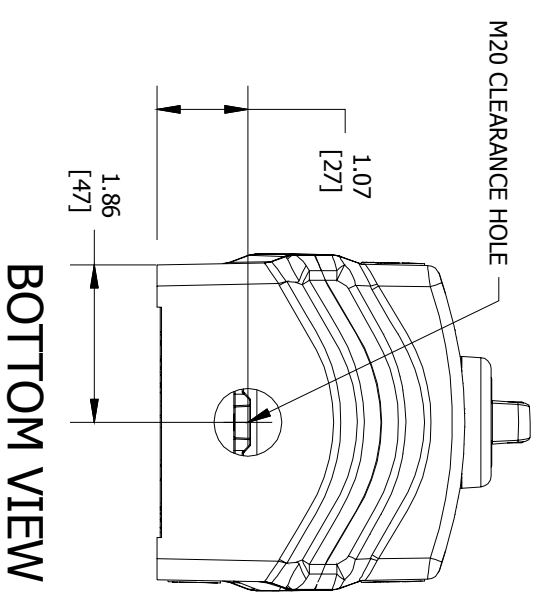


LEFT SIDE VIEW

FRONT VIEW

RIGHT SIDE VIEW

SECTION A-A VIEW



BOTTOM VIEW

ENTRY HUB/GLAND SELECTION CHART*	
ENTRY NO.	HUB/GLAND:
ENTRY 1	NONE

\*HUBS & CABLE GLANDS ARE SHIPPED WITH ENCLOSURE

COMMENT:

SGN:

DATE:

ACCEPTANCE:

DRAWN BY:

DATE:

DWG NUMBER:

ITEM:

CODE 1: APPROVED (NO COMMENTS)

PR

08/17/2016

HKH1ANPAS349

N/A

CODE 2: APPROVED FOR MANUFACTURING WITH COMMENTS TO BE INCORPORATED

PR

08/17/2016

HKH1ANPAS349

N/A

CODE 3: NOT APPROVED RE-SUBMIT

PR

08/17/2016

HKH1ANPAS349

N/A

CODE 4: FOR INFORMATION ONLY

PR

08/17/2016

HKH1ANPAS349

N/A

HKH SERIES  
CONTROL STATIONS

CAT. NO. HKH1ANPAS349

COUNTY/DATE CODE

WWW.HARSHANDHAZARDOUS.COM

MFG. NAME PLATE (REF.)

REVISION	DESCRIPTION	DATE	BY	APP. NO.	ITEM
A	REVISION				