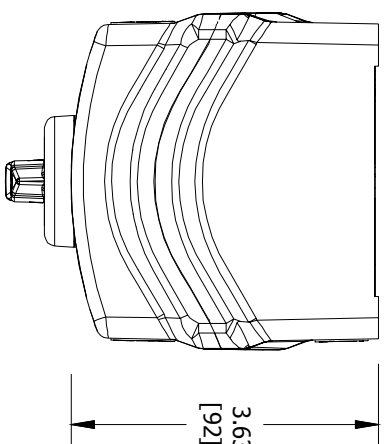
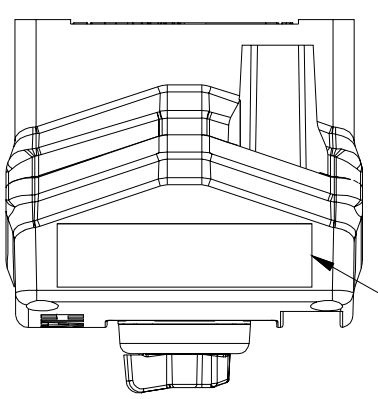


ENCLOSURE INFORMATION	
P/N:	DESCRIPTION:
23196KBAM	BOX PLASTIC 1q, M20 BOTTOM
COVER: 23193BAAB	COVER PLASTIC HKH 1q, SINGLE DEVICE
MOUNT METHOD: HKHPMBRKT	HKH PANEL MOUNT BRACKET, C. B. & P. L. (1 PL.)
DEVICE 1 ASSEMBLY (1F) P/N: DESCRIPTION: HKH2P5MTV 3 POS SEL SWT MAINT L/T/CTR, MOM RT, VERT LGND. PLATE: 23225AAAB Blank LOCKOUT ACQY: NONE N/A CONTACT 1: HKHINO20P CONTACT BLCK, FACT SEALED N.O. PM, 20A CONTACT 2: HKHINO20P CONTACT BLCK, FACT SEALED N.O. PM, 20A	

CONTACT BLOCK RATINGS:  
 690 VAC, 20A, 50-60  
 60 VDC, 5A, 110VDC, 1.5A  
 1/2 HP @ 120 VAC, 1 HP @ 208/240/277VAC  
 NEMA A600/P600 - PILOT DUTY  
 350VAC, 20A - TUNGSTEN  
 AC690V 16A AC-12  
 AC230V 16A AC-15  
 50-60HZ  
 DC60V 5A DC-13  
 TERMINALS RATED FOR 1-2 CONDUCTORS  
 #22-10 AWG. (0.5-4mm<sup>2</sup>)

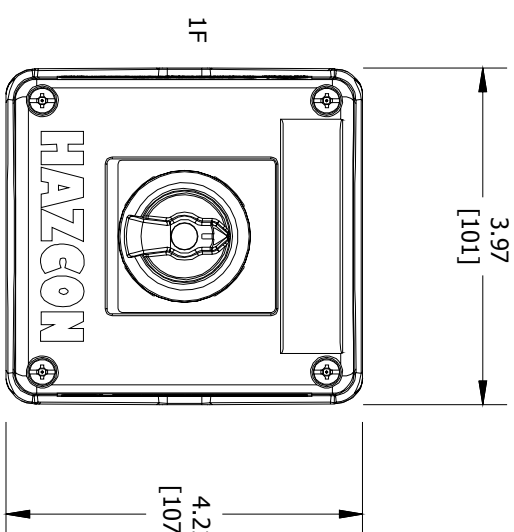


TOP VIEW

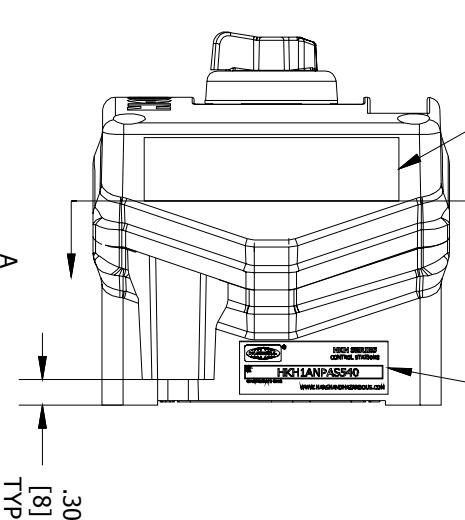


IEC CERTIFICATION  
 NAMEPLATE  
 P/N: 24617BAAM

LEFT SIDE VIEW

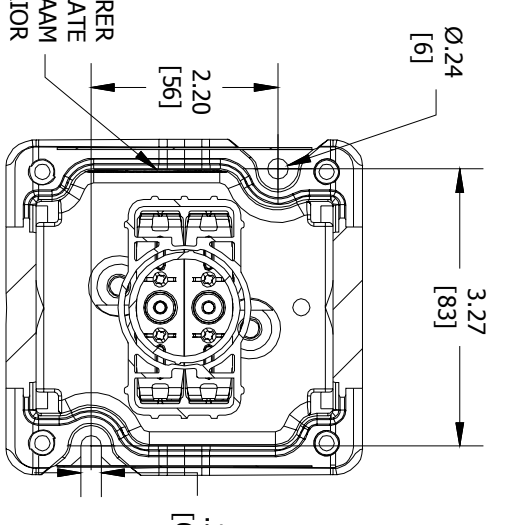


FRONT VIEW

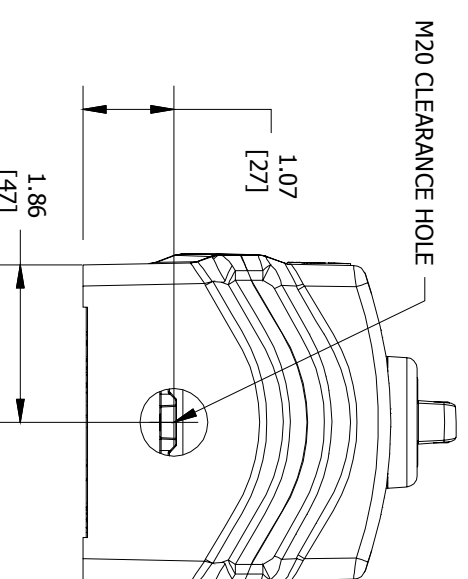


UL CERTIFICATION  
 NAMEPLATE  
 P/N: 24617AAAM

RIGHT SIDE VIEW



SECTION A-A VIEW



BOTTOM VIEW

 Harsh & Hazardous WWW.HARSHANDHAZARDOUS.COM	CAT. NO. <b>HKHMOD Series</b> DATE CODE-S/N	SEE IOM FORM K1466 & K1470 FOR T-CODES AND FOR ELECTRICAL RATINGS.  ST. LOUIS, MO 63113 A243
	INDUSTRIAL CONTROL EQUIPMENT FOR USE IN ZONE CLASSIFIED HAZ. LOCS. CLASS I, ZONE 1, AEx de IIC T6...T4 Gb; Ex de IIC T6...T4 Gb ZONE 21, AEx tb IIIC T85°C...T135°C Db IP66; Ex tb IIIC T85°C...T135°C Db IP66 CLASS I, DIV.2, GRPS. A,B,C,D; CLASS II, DIV.1, GRPS. E,F,G (CANADA ONLY) CLASS II, DIV.2, GRUPS E,F,G; CLASS III CLASS III; TYPE 3/4/4X/12/13; -50°C STAs+60°C (-40°C STAs+55°C WITH AMMETER)	

CERTIFICATION NAME PLATES

 HKH SERIES CONTROL STATIONS HKH1ANPASS40 WWW.HARSHANDHAZARDOUS.COM	MFG. NAME PLATE (REF.)
---	------------------------

COMMENT:	SGN:	DATE:	ACCEPTANCE:
CODE 1: APPROVED (NO COMMENTS)			
CODE 2: APPROVED FOR MANUFACTURING WITH COMMENTS TO BE INCORPORATED			
CODE 3: NOT APPROVED RE-SUBMIT			
CODE 4: FOR INFORMATION ONLY			

DRAWN BY:	DATE:	DWG NUMBER:	ITEM:
PR	08/19/2016	HKH1ANPASS40	N/A
TITLE:		SALES/QUOTE NO.:	
HKH MODIFIED ENCLOSURE (HKH1ANPASS40)			

ENTRY HUB/GLAND SELECTION CHART*	
ENTRY NO.	HUB/GLAND:
ENTRY 1	NONE

\*HUBS & CABLE GLANDS ARE SHIPPED WITH ENCLOSURE

REVISION	DESCRIPTION
A	REVISION

 <b>KILLARK</b> <small>THIS DOCUMENT IS THE PROPERTY OF HUBBELL - KILLARK. IT IS LOANED TO YOU AND MUST NOT BE USED IN ANY WAY DETRIMENTAL TO THE INTEREST HUBBELL - KILLARK.</small>	SHEET 1 OF 1
---	--------------