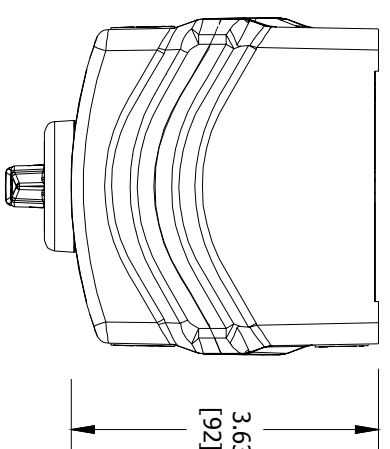


ENCLOSURE INFORMATION	
P/N:	DESCRIPTION:
23196KBAM	BOX PLASTIC 1q, M20 BOTTOM
COVER: 23193BAAB	COVER PLASTIC HKH 1q, SINGLE DEVICE
MOUNT METHOD: HKHPMBRKT	HKH PANEL MOUNT BRACKET, C. B. & P. L. (1 PL.)
DEVICE 1 ASSEMBLY (1F)	
P/N:	DESCRIPTION:
HKH2P5MTV	3 POS SEL SWT MOM LT, MAINT CTR/RT, VERT
LGND. PLATE: 23225AAB	Blank
LOCKOUT ACQY: NONE	N/A
CONTACT 1: HKHINO20P	CONTACT BLCK, FACT SEALED N.O. PM, 20A
CONTACT 2: HKHINO20P	CONTACT BLCK, FACT SEALED N.O. PM, 20A

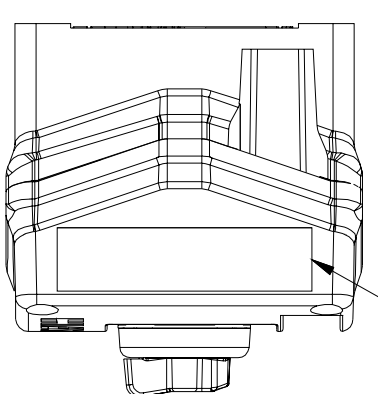
CONTACT BLOCK RATINGS:  
 690 VAC, 20A, 50-60  
 60 VDC, 5A, 110VDC, 1.5A

1/2 HP @ 120 VAC, 1 HP @ 208/240/277VAC  
 NEMA A600/P600 - PILOT DUTY  
 350VAC, 20A - TUNGSTEN  
 AC690V 16A AC-12  
 AC230V 16A AC-15  
 50-60HZ

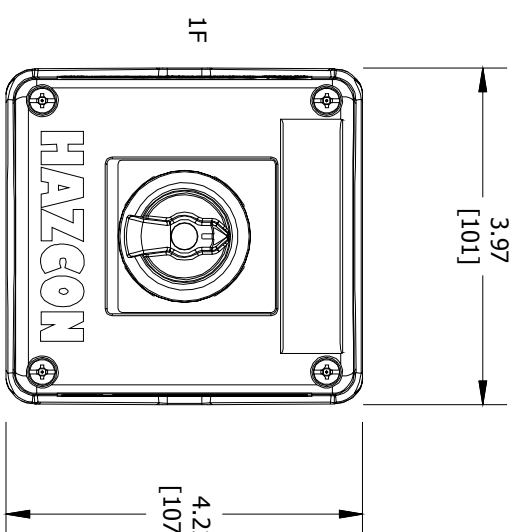
DC60V 5A DC-13  
 TERMINALS RATED FOR 1-2 CONDUCTORS  
 #22-10 AWG. (0.5-4mm<sup>2</sup>)



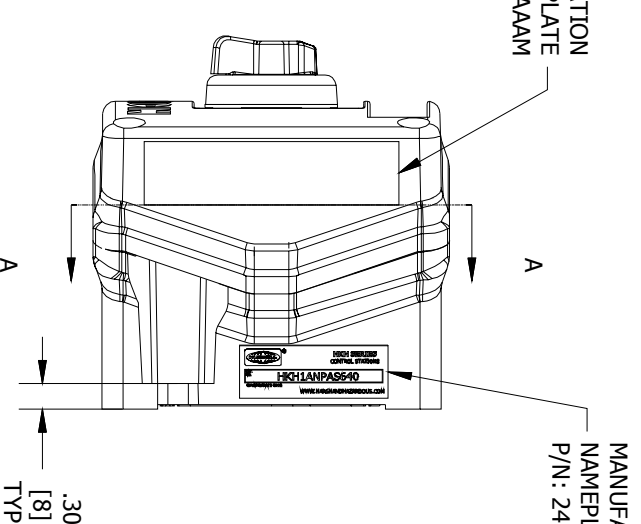
TOP VIEW



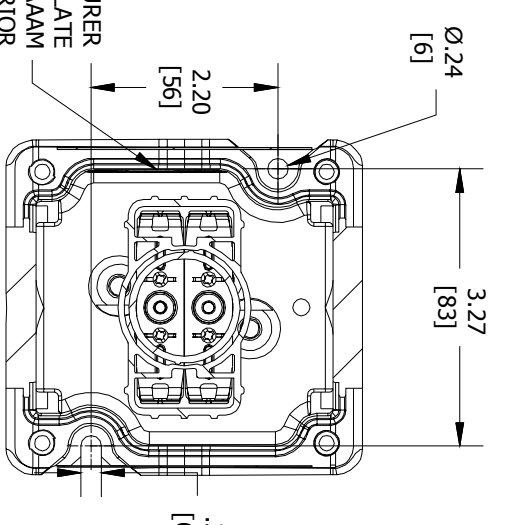
LEFT SIDE VIEW



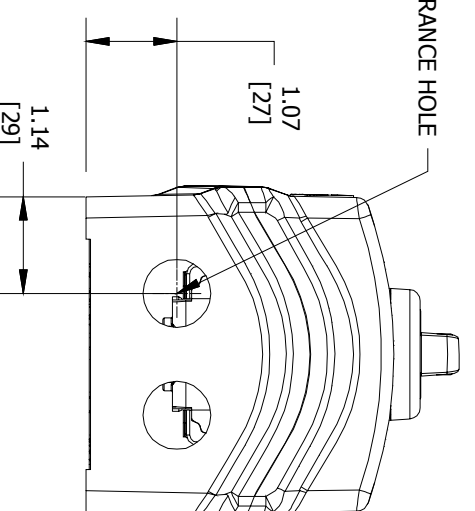
FRONT VIEW



RIGHT SIDE VIEW



SECTION A-A VIEW



BOTTOM VIEW

COMMENT: SGN: DATE: ACCEPTANCE:

DRAWN BY: PR

DATE: 08-22-2016

DWG NUMBER: HKH1ANPAS640

SALES/QUOTE NO.: N/A

ITEM: N/A

REVISION



KILLARK

THIS DOCUMENT IS THE PROPERTY OF HUBBELL - KILLARK. IT IS LOANED TO YOU AND MUST NOT BE USED IN ANY WAY DETRIMENTAL TO THE INTEREST HUBBELL - KILLARK.

HKH MODIFIED ENCLOSURE (HKH1ANPAS640)

DATE: 08-22-2016

DWG NUMBER: HKH1ANPAS640

SHEET 1 OF 1

		<b>HKHMOD Series</b>		DATE CODE-S/N
Harsh & Hazardous WWW.HARSHANDHAZARDOUS.COM		CAT. NO.		ST. LOUIS, MO 63113
INDUSTRIAL CONTROL EQUIPMENT FOR USE IN ZONE CLASSIFIED HAZ. LOCS. CLASS I, ZONE 1, AEx de IIC T6..T4 Gb; Ex de IIC T6..T4 Gb ZONE 2I, AEx td IIIC T85°C...T135°C Db IP66; Ex td IIIC T85°C...T135°C Db IP66 CLASS I, DIV.2, GRPS. A,B,C,D; CLASS II, DIV.1, GRPS. E,F,G (CANADA ONLY) CLASS II, DIV.2, GROUPS E,F,G; CLASS III CLASS III: TYPE 3/4/4X/12/13; -50°C ≤Tas+60°C		CAT. NO. <b>HKHMOD Series</b>		DATE CODE-S/N
DEMKO 15 ATEX 1405X Ex de IIC T6..T4 Gb; Ex td IIIC T85°C...T135°C Db IP66 IECEx UL 15,0054X -50°C ≤Tas+60°C		TR RU C-US-MIO6Z.B.0416Z		IEX 16,0079 INMETRO
(-40°C ≤Tas+55°C WITH AMMETER)		SEE IOM FORM K1466 FOR ELECTRICAL RATINGS.		SEE IOM FORM K1466 & K1470 FOR T-CODES AND FOR ELECTRICAL RATINGS.
Harsh & Hazardous WWW.HARSHANDHAZARDOUS.COM		CAT. NO. <b>HKHMOD Series</b>		DATE CODE-S/N
INDUSTRIAL CONTROL EQUIPMENT FOR USE IN ZONE CLASSIFIED HAZ. LOCS. CLASS I, ZONE 1, AEx de IIC T6..T4 Gb; Ex de IIC T6..T4 Gb ZONE 2I, AEx td IIIC T85°C...T135°C Db IP66; Ex td IIIC T85°C...T135°C Db IP66 CLASS I, DIV.2, GRPS. A,B,C,D; CLASS II, DIV.1, GRPS. E,F,G (CANADA ONLY) CLASS II, DIV.2, GROUPS E,F,G; CLASS III CLASS III: TYPE 3/4/4X/12/13; -50°C ≤Tas+60°C		CAT. NO. <b>HKHMOD Series</b>		DATE CODE-S/N
DEMKO 15 ATEX 1405X Ex de IIC T6..T4 Gb; Ex td IIIC T85°C...T135°C Db IP66 IECEx UL 15,0054X -50°C ≤Tas+60°C		TR RU C-US-MIO6Z.B.0416Z		IEX 16,0079 INMETRO
(-40°C ≤Tas+55°C WITH AMMETER)		SEE IOM FORM K1466 FOR ELECTRICAL RATINGS.		SEE IOM FORM K1466 & K1470 FOR T-CODES AND FOR ELECTRICAL RATINGS.

CERTIFICATION NAME PLATES

HKH SERIES  
 CONTROL STATIONS  
 HKH1ANPAS640  
 WWW.HARSHANDHAZARDOUS.COM

MFG. NAME PLATE (REF.)

ENTRY HUB/GLAND SELECTION CHART\*

ENTRY NO.	HUB/GLAND:
ENTRY 1	NONE

\*HUBS & CABLE GLANDS ARE SHIPPED WITH ENCLOSURE