

4

3

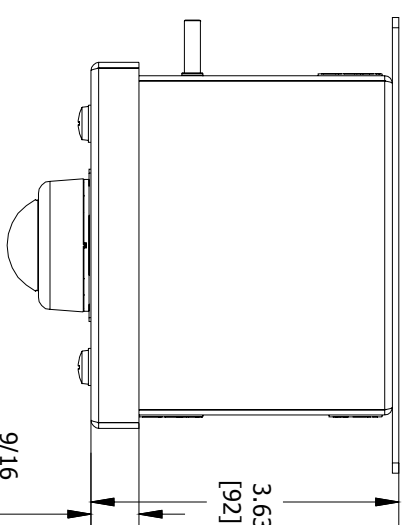
2

1

ENCLOSURE INFORMATION	
P/N:	DESCRIPTION:
23830CBAM	BOX SST 1F 1a, 3/4 NPT BOTTOM
23803ABAB	COVER SST 1F 1a, SINGLE DEVICE
23203AAMB	ASSY, DIN RAIL HKH 1 TIER

PILOT LIGHT RATINGS:
 LIGHT EMITTING DIODE
 12-254 VAC/DC LED
 0.6WTERMINALS RATED FOR 1-2 CONDUCTORS
 #22-10 AWG. (0.5-4mm²)

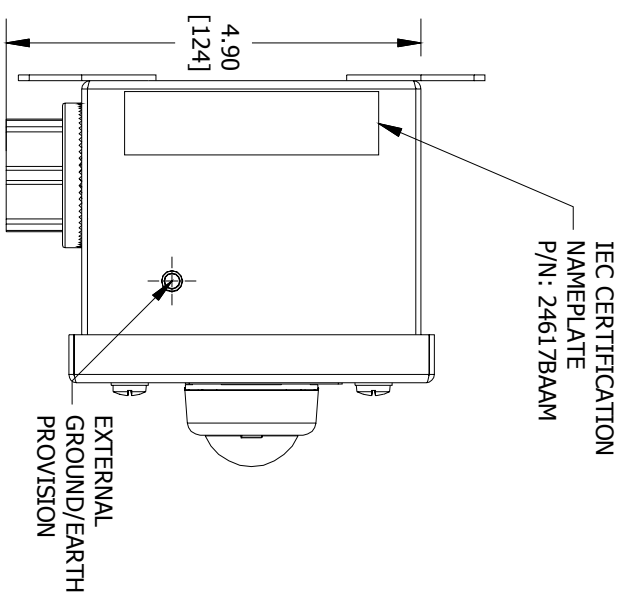
DEVICE 1 ASSEMBLY (1F)	
P/N:	DESCRIPTION:
HKHPLR	PILOT LIGHT RED LENS ASSEMBLY
23225AAMB	Blank
LOCKOUT ACQY:	N/A
CONTACT 1:	PILOT LIGHT MOD, DM



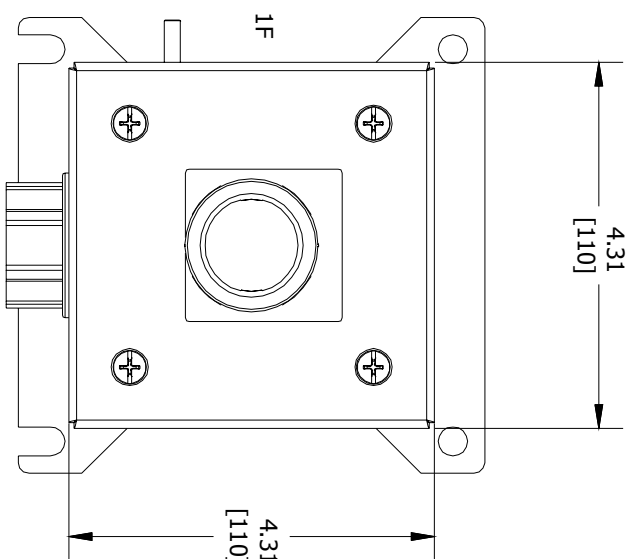
TOP VIEW

CERTIFICATION NAME PLATES

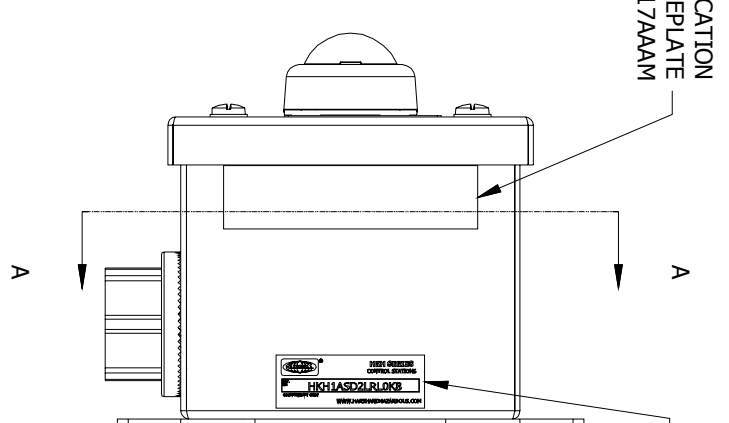
<p>Harsh & Hazardous CAT. NO. HKHMOD Series www.harsbandhazardous.com DATE CODE-S/N ST. LOUIS, MO 63113</p>	<p>INDUSTRIAL CONTROL EQUIPMENT FOR USE IN ZONE CLASSIFIED HAZ. LOCS. CLASS I, ZONE 1, AEx de IIC T6...T4 Gb; Ex de IIC T6...T4 Gb ZONE 21, AEx tb IIIC T85°C...T135°C Db IP66; Ex tb IIIC T85°C...T135°C Db IP66 CLASS I, DIV.2, GRP5, A,B,C,D; CLASS II, DIV.1, GRP5, E,F,G (CANADA ONLY) CLASS III, TYPE 3/4/4X/12/13, -50°C ≤T_{as}+60°C SEE IOM FORM K1466 FOR ELECTRICAL RATINGS.</p>	<p>DATE CODE-S/N ST. LOUIS, MO 63113</p>
--	--	---



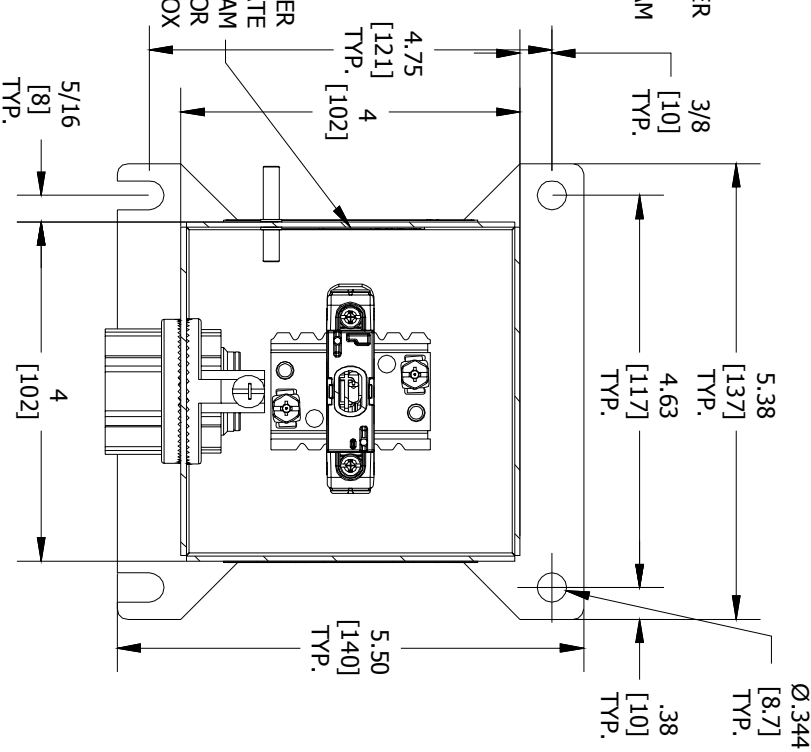
LEFT SIDE VIEW



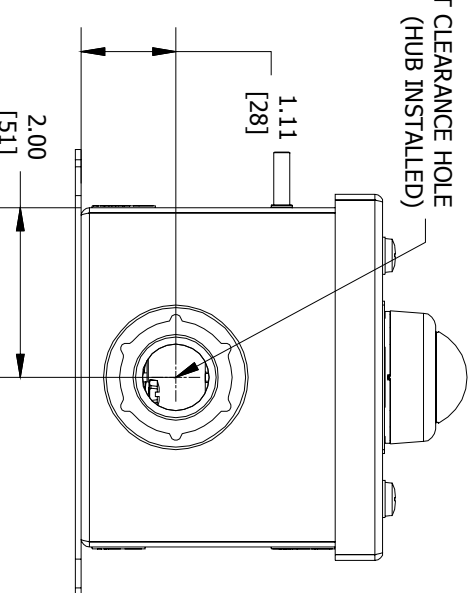
FRONT VIEW



RIGHT SIDE VIEW



SECTION A-A VIEW



BOTTOM VIEW

HKH SERIES
 CONTROL STATIONS
 MFG. NAME PLATE (REF.)
 HKH1ASD2LR1OK8
 www.harsbandhazardous.com

COMMENT:	SGN:	DATE:	ACCEPTANCE:
			CODE 1: APPROVED (NO COMMENTS) CODE 2: APPROVED FOR MANUFACTURING WITH COMMENTS TO BE INCORPORATED CODE 3: NOT APPROVED RE-SUBMIT CODE 4: FOR INFORMATION ONLY

DRAWN BY:	DATE:	DWG NUMBER:	ITEM:
PR	09-23-2016	HKH1ASD2LR1OK8	N/A
TITLE:	SALES/QUOTE NO.:	HKH MODIFIED ENCLOSURE (HKH1ASD2LR1OK8)	

ENTRY HUB/GLAND SELECTION CHART*

ENTRY NO.	HUB/GLAND:
ENTRY 1	K8: WH-255G

*HUBS & CABLE GLANDS ARE SHIPPED WITH ENCLOSURE

4

3

2

1

REVISION	
A	KILLARK

REVISION	
A	KILLARK