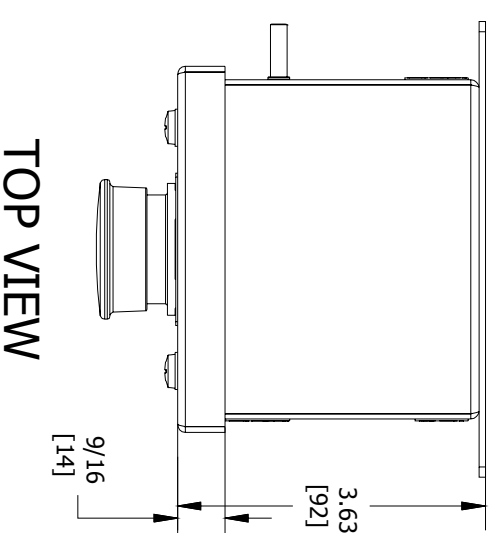


ENCLOSURE INFORMATION	
P/N:	DESCRIPTION:
23830CBAM	BOX SST 1F 1ø, 3/4 NPT BOTTOM
23803ABAB	COVER SST 1F 1ø, SINGLE DEVICE
23203AAMB	ASSY, DIN RAIL HKH 1 TIER
DEVICE 1 ASSEMBLY (1F)	
P/N:	DESCRIPTION:
HKHBMNR	MOMENTARY PUSHBUTTON, MUSHROOM HD, RED
2322SCAAB	STOP
LOCKOUT ACV: NONE	
CONTACT 1:	CONTACT BLCK, FACT SEALED N.O. DRM, 20A
CONTACT 2:	CONTACT BLCK, FACT SEALED N.C. DRM, 20A

CONTACT BLOCK RATINGS:
690 VAC, 20A, 50-60
60 VDC, 5A, 110VDC, 1.5A

1/2 HP @ 120 VAC, 1 HP @ 208/240/277VAC
NEMA A600/P600 - PILOT DUTY
350VAC, 20A - TUNGSSTEN
AC690V 16A AC-12
AC230V 16A AC-15
50-60HZ
DC60V 5A DC-13
TERMINALS RATED FOR 1-2 CONDUCTORS
#22-10 AWG. (0.5-4mm²)

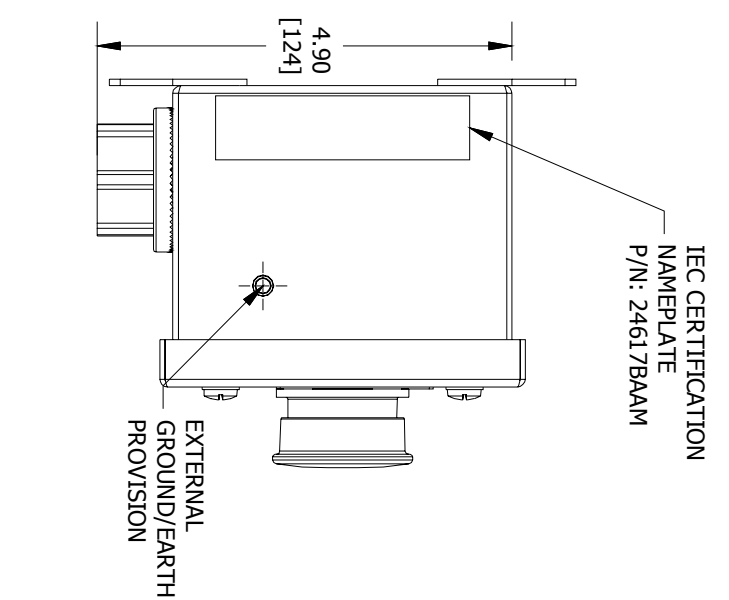


TOP VIEW

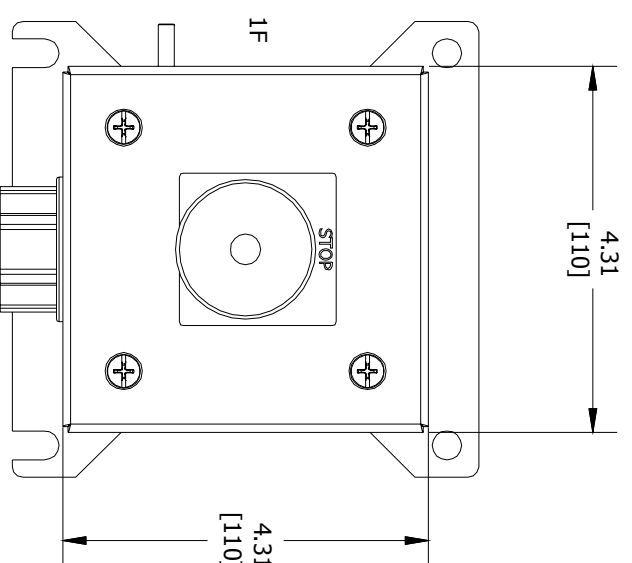
<p>Harsh & Hazardous NO. 0539 DEMKO 15 ATEX 1405X Ex de IIC T6...T4 Gb Ex de IIC T6...T4 Gb IECEx UL 15:0054X -50°C STAs+60°C (-40°C STAs+55°C WITH AMMETER)</p>	<p>INDUSTRIAL CONTROL EQUIPMENT FOR USE IN ZONE CLASSIFIED HAZ. LOCs. CLASS I, ZONE 1, AEx de IIC T6...T4 Gb; Ex de IIC T6...T4 Gb ZONE 21, AEx de IIC T85°C...T135°C Db IP66; Ex de IIC T85°C...T135°C Db IP66 CLASS I, DIV.2, GRPs: A,B,C,D; CLASS II, DIV.1, GRPs: E,F,G (CANADA ONLY) CLASS II, DIV.2, GROUPS E,F,G; CLASS III CLASS III; TYPE 3/4/4X/12/13; -50°C STAs+60°C</p>	<p>DATE CODE S/N</p>
<p>Harsh & Hazardous NO. 0539 DEMKO 15 ATEX 1405X Ex de IIC T6...T4 Gb Ex de IIC T6...T4 Gb IECEx UL 15:0054X -50°C STAs+60°C (-40°C STAs+55°C WITH AMMETER)</p>	<p>INDUSTRIAL CONTROL EQUIPMENT FOR USE IN ZONE CLASSIFIED HAZ. LOCs. CLASS I, ZONE 1, AEx de IIC T6...T4 Gb; Ex de IIC T6...T4 Gb ZONE 21, AEx de IIC T85°C...T135°C Db IP66; Ex de IIC T85°C...T135°C Db IP66 CLASS I, DIV.2, GRPs: A,B,C,D; CLASS II, DIV.1, GRPs: E,F,G (CANADA ONLY) CLASS II, DIV.2, GROUPS E,F,G; CLASS III CLASS III; TYPE 3/4/4X/12/13; -50°C STAs+60°C</p>	<p>DATE CODE S/N</p>
<p>Harsh & Hazardous NO. 0539 DEMKO 15 ATEX 1405X Ex de IIC T6...T4 Gb Ex de IIC T6...T4 Gb IECEx UL 15:0054X -50°C STAs+60°C (-40°C STAs+55°C WITH AMMETER)</p>	<p>INDUSTRIAL CONTROL EQUIPMENT FOR USE IN ZONE CLASSIFIED HAZ. LOCs. CLASS I, ZONE 1, AEx de IIC T6...T4 Gb; Ex de IIC T6...T4 Gb ZONE 21, AEx de IIC T85°C...T135°C Db IP66; Ex de IIC T85°C...T135°C Db IP66 CLASS I, DIV.2, GRPs: A,B,C,D; CLASS II, DIV.1, GRPs: E,F,G (CANADA ONLY) CLASS II, DIV.2, GROUPS E,F,G; CLASS III CLASS III; TYPE 3/4/4X/12/13; -50°C STAs+60°C</p>	<p>DATE CODE S/N</p>

SEE IOM FORM K1466 FOR ELECTRICAL RATINGS.

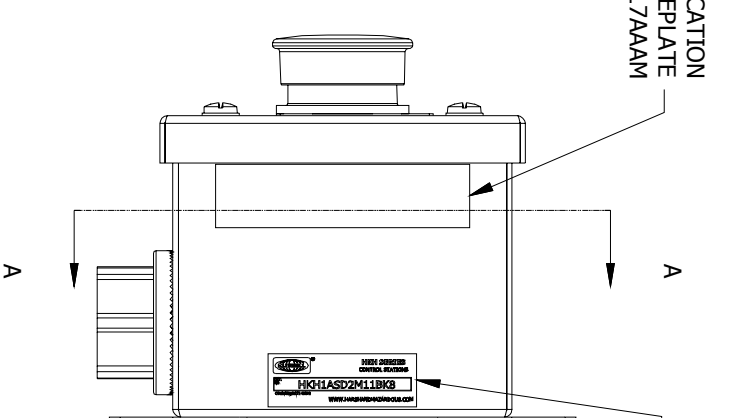
CERTIFICATION NAME PLATES



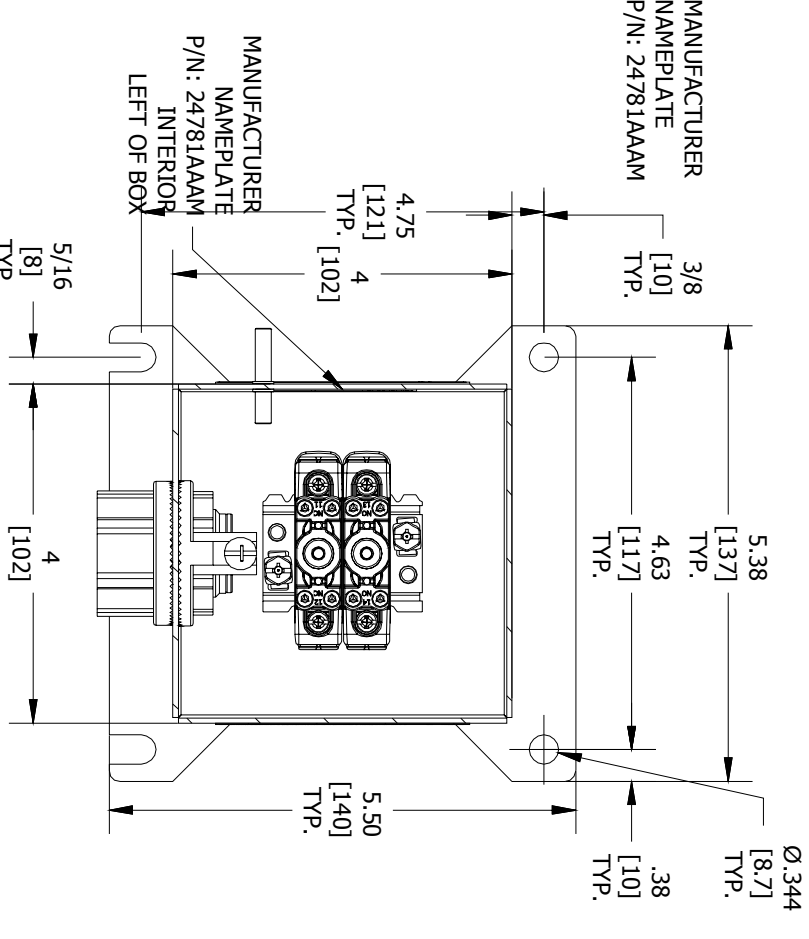
LEFT SIDE VIEW



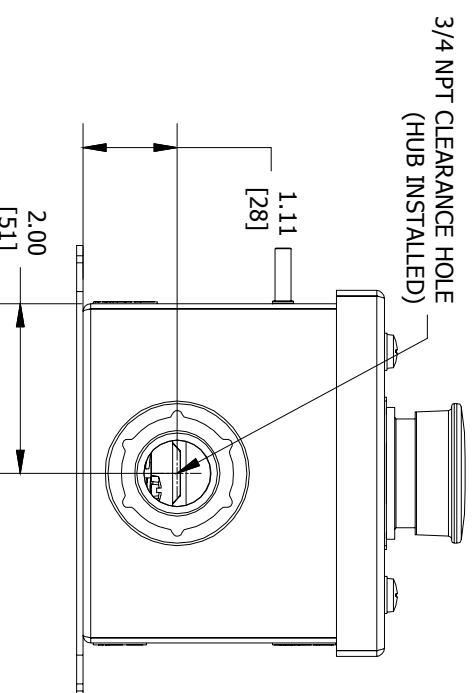
FRONT VIEW



RIGHT SIDE VIEW



SECTION A-A VIEW



BOTTOM VIEW

COMMENT:	SGN:	DATE:	ACCEPTANCE:
			CODE 1: APPROVED (NO COMMENTS) CODE 2: APPROVED FOR MANUFACTURING WITH COMMENTS TO BE INCORPORATED CODE 3: NOT APPROVED RE-SUBMIT CODE 4: FOR INFORMATION ONLY

DRAWN BY:	DATE:	DWG NUMBER:
PR	09-22-2016	HKH1ASD2M11BK8
TITLE:	SALES/QUOTE NO.:	
HKH MODIFIED ENCLOSURE (HKH1ASD2M11BK8)	N/A	

ENTRY HUB/GLAND SELECTION CHART*

ENTRY NO.	HUB/GLAND:
ENTRY 1	K8: WH-2SSG

*HUBS & CABLE GLANDS ARE SHIPPED WITH ENCLOSURE

HKH SERIES
CONTROL STATIONS

NO. HKH1ASD2M11BK8
COUNT/DATE CODE

WWW.HARSHANDHAZARDOUS.COM

MFG. NAME PLATE (REF.)

REVISION	3	REVISION	2	SHEET 1 OF 1
----------	---	----------	---	--------------