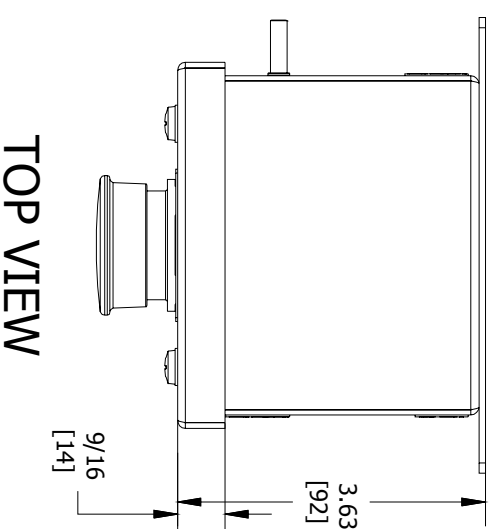


ENCLOSURE INFORMATION	
P/N:	DESCRIPTION:
23830CBAM	BOX SST 1F 1a, 3/4 NPT BOTTOM
23803ABAB	COVER SST 1F 1a, SINGLE DEVICE
23203AAMB	ASSY, DIN RAIL HKH 1 TIER
MOUNT METHOD:	
	AC230V 16A AC-15
	AC220V 16A AC-15
	50-60HZ
P/N:	DESCRIPTION:
HKHPBPTMR	MAINTAINED PUSH PULL MUSHROOM HD, RED
2322SCAAB	STOP
LOCKOUT ACV:	
NONE	N/A
CONTACT 1:	CONTACT BLCK, FACT SEALED N.O. DRM, 20A
CONTACT 2:	CONTACT BLCK, FACT SEALED N.C. DRM, 20A

CONTACT BLOCK RATINGS:
690 VAC, 20A, 50-60
60 VDC, 5A, 110VDC, 1.5A

1/2 HP @ 120 VAC, 1 HP @ 208/240/277VAC
NEMA A600/P600 - PILOT DUTY
350VAC, 20A - TUNGSSTEN
AC690V 16A AC-15
AC230V 16A AC-15

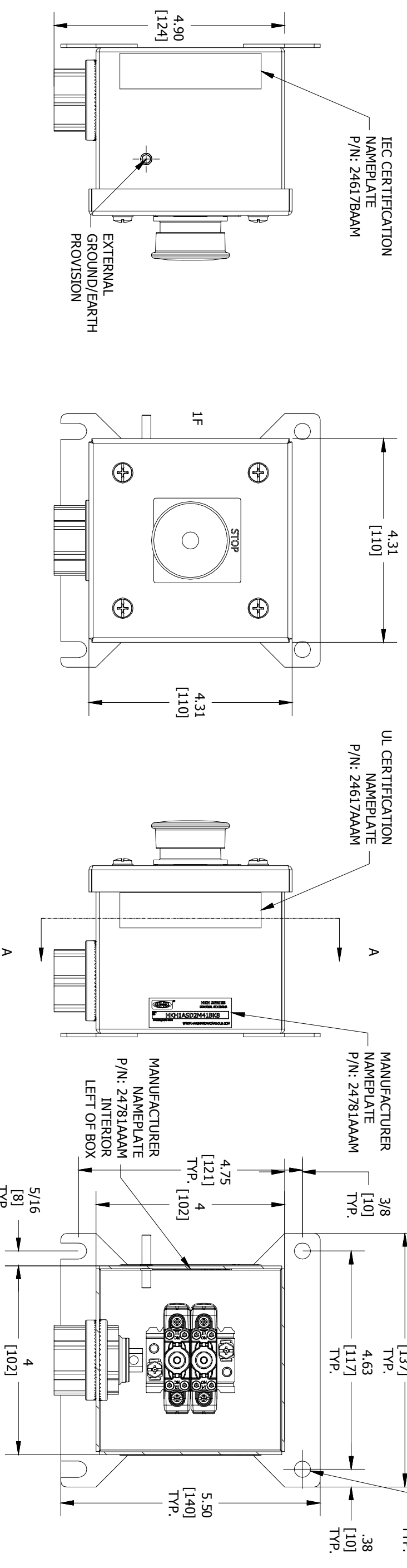
TERMINALS RATED FOR 1-2 CONDUCTORS
#22-10 AWG. (0.5-4mm²)



TOP VIEW

 Harsht & Hazardous www.harshtandhazardous.com	CAT. NO. HKHMOD Series	DATE CODE S/N ST. LOUIS, MO 63113
	INDUSTRIAL CONTROL EQUIPMENT FOR USE IN ZONE CLASSIFIED HAZ. LOCs. CLASS I, ZONE 1, AEx de IIC T6...T4 Gb - Ex de IIC T6...T4 Gb CLASS II, DIV. 2, GRP5, A,B,C,D; CLASS II, DIV. 1, GRP5, E,F,G (CANADA ONLY) CLASS III, TYPE 3/4/4X/12/13; -50°C ≤Tas≤+60°C	SEE IOM FORM K1466 & K1470 FOR T-CODES AND FOR ELECTRICAL RATINGS.

CERTIFICATION NAME PLATES

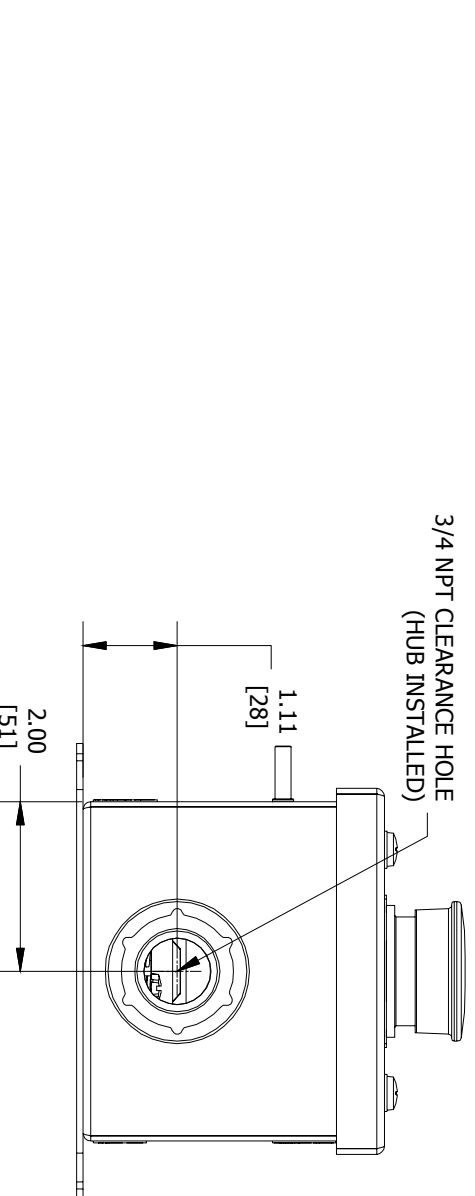


LEFT SIDE VIEW

FRONT VIEW

RIGHT SIDE VIEW

SECTION A-A VIEW



BOTTOM VIEW

COMMENT:

SGN:

DATE:

ACCEPTANCE:

DRAWN BY:

DATE:

DWG NUMBER:

HUB/GLAND:

ITEM:

CODE 1: APPROVED (NO COMMENTS)

CODE 2: APPROVED FOR MANUFACTURING

CODE 3: NOT APPROVED RE-SUBMIT

CODE 4: FOR INFORMATION ONLY

PR

09-23-2016

SALES/QUOTE NO.:

N/A

N/A

WITH COMMENTS TO BE INCORPORATED

WITH COMMENTS TO BE INCORPORATED

WITH COMMENTS TO BE INCORPORATED

WITH COMMENTS TO BE INCORPORATED

TITLE:

HKH MODIFIED ENCLOSURE

(HKH1ASD2M41BK8)

*HUBS & CABLE GLANDS ARE SHIPPED WITH ENCLOSURE

ENTRY HUB/GLAND SELECTION CHART*

ENTRY NO.	HUB/GLAND:
ENTRY 1	K8: WH-2SSG

HKH SERIES
CONTROL STATIONS

CONTROL NO.: HKH1ASD2M41BK8

COUNT/DATE CODE

WWW.HARSHANDHAZARDOUS.COM

MFG. NAME PLATE (REF.)

4

REVISION

3

2

1

SHEET 1 OF 1