

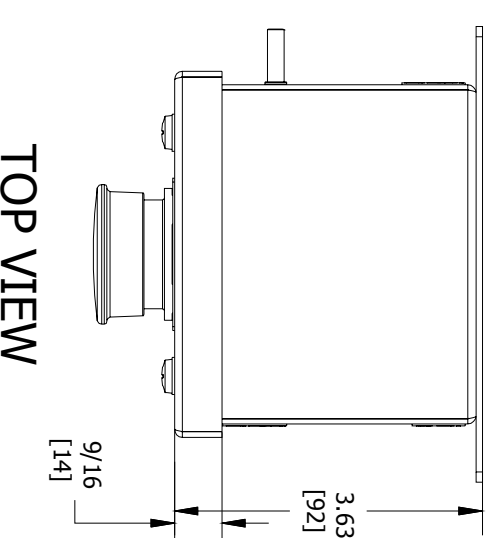
ENCLOSURE INFORMATION	
P/N:	DESCRIPTION:
23830CBAM	BOX SST 1F 1ø, 3/4 NPT BOTTOM
23803ABAB	COVER SST 1F 1ø, SINGLE DEVICE
23203AAMB	ASSY, DIN RAIL HKH 1 TIER

CONTACT BLOCK RATINGS:
 690 VAC, 20A, 50-60
 60 VDC, 5A, 110VDC, 1.5A

1/2 HP @ 120 VAC, 1 HP @ 208/240/277VAC
 NEMA A600/P600 - PILOT DUTY
 350VAC, 20A - TUNGSSTEN
 AC690V 16A AC-12
 AC230V 16A AC-15
 50-60HZ
 DC60V 5A DC-13
 TERMINALS RATED FOR 1-2 CONDUCTORS
 #22-10 AWG. (0.5-4mm²)

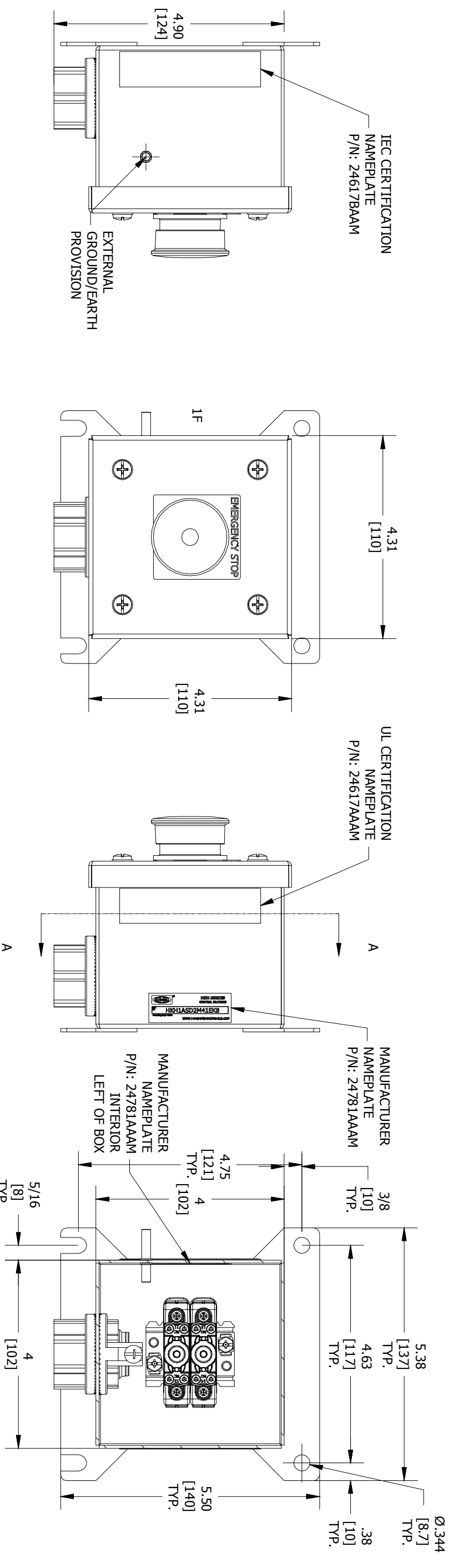
CONTACT 1: HKHINO20D CONTACT BLCK, FACT SEALED N.O. DRM, 20A

CONTACT 2: HKHINC20D CONTACT BLCK, FACT SEALED N.C. DRM, 20A



<p>HARSH & Hazardous</p>	<p>CAT. NO. HKHMOD Series</p>	<p>DATE CODE S/N</p> <p>ST. LOUIS, MO 63113</p>
<p>INDUSTRIAL CONTROL EQUIPMENT FOR USE IN ZONE CLASSIFIED HAZ. LOCs.</p> <p>CLASS I, ZONE 1, AEx de IIC T6...T4 Gb; Ex de IIC T6...T4 Gb</p> <p>ZONE 21, AEx tb IIIC T85°C...T135°C Db IP66; Ex tb IIIC T85°C...T135°C Db IP66</p> <p>CLASS I, DIV. 2, GRPS. AB,C,D; CLASS II, DIV. 1, GRPS. E,F,G (CANADA ONLY)</p> <p>CLASS II, DIV. 2, GROUPS E,F,G; CLASS III</p> <p>CLASS III; TYPE 3/4/4X/12/13; -50°C ≤ Ta ≤ +60°C</p>	<p>UL CERTIFICATION NAMEPLATE P/N: 24617BAAM</p> <p>MANUFACTURER NAMEPLATE P/N: 24781AAAM</p> <p>MANUFACTURER NAMEPLATE P/N: 24781AAAM INTERIOR LEFT OF BOX</p>	<p>SEE IOM FORM K1466 FOR ELECTRICAL RATINGS.</p> <p>ST. LOUIS, MO 63113</p>

CERTIFICATION NAME PLATES

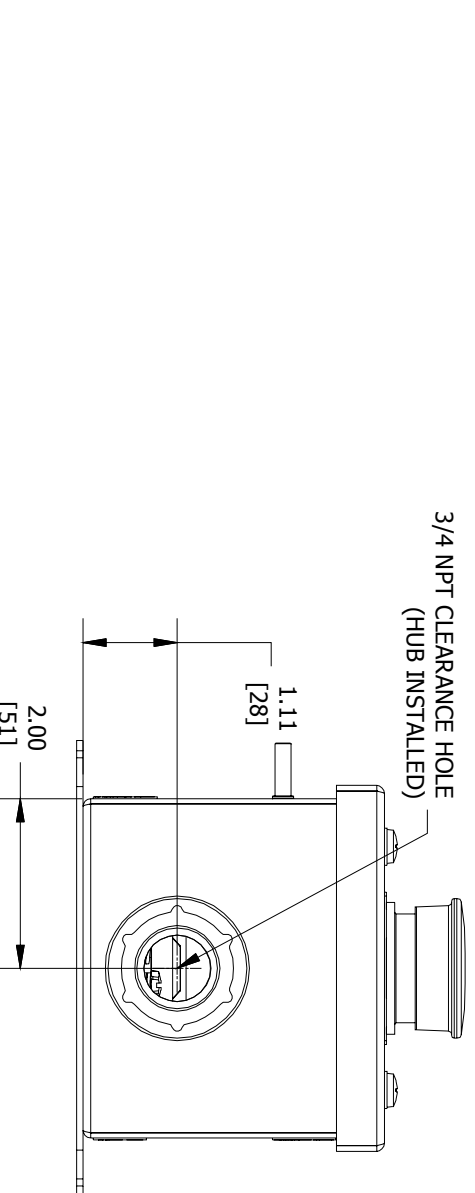


LEFT SIDE VIEW

FRONT VIEW

RIGHT SIDE VIEW

SECTION A-A VIEW



BOTTOM VIEW

ENTRY HUB/GLAND SELECTION CHART*	
ENTRY NO.	HUB/GLAND:
ENTRY 1	K8; WH-2SSG

*HUBS & CABLE GLANDS ARE SHIPPED WITH ENCLOSURE

HKH SERIES
 CONTROL STATIONS
HKH1ASD2M41EK8
 COUNT/DATE CODE
 WWW.HARSHANDHAZARDOUS.COM

MFG. NAME PLATE (REF.)

COMMENT:

SGN:

DATE:

ACCEPTANCE:

DRAWN BY:

DATE:

DWG NUMBER:

CODE 1: APPROVED (NO COMMENTS)

CODE 2: APPROVED FOR MANUFACTURING

CODE 3: NOT APPROVED RE-SUBMIT

CODE 4: FOR INFORMATION ONLY

PR

09-27-2016

SALES/QUOTE NO.:

ITEM:

REVISION



KILLARK

THIS DOCUMENT IS THE PROPERTY OF HUBBELL - KILLARK. IT IS LOANED TO YOU AND MUST NOT BE USED IN ANY WAY DETRIMENTAL TO THE INTEREST HUBBELL - KILLARK.

HKH MODIFIED ENCLOSURE (HKH1ASD2M41EK8)

DATE:

SALES/QUOTE NO.:

SHEET 1 OF 1