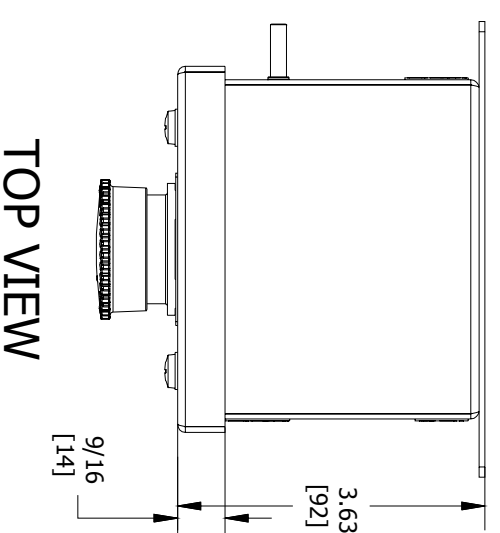


ENCLOSURE INFORMATION	
P/N:	DESCRIPTION:
23830CBAM	BOX SST 1F 1a, 3/4 NPT BOTTOM
23803ABAB	COVER SST 1F 1a, SINGLE DEVICE
23203AAMB	ASSY, DIN RAIL HKH 1 TIER
MOUNT METHOD:	
	AC230V 16A AC-15
	AC230V 16A AC-12
	50-60HZ
	DC60V 5A DC-13
	TERMINALS RATED FOR 1-2 CONDUCTORS
	#22-10 AWG. (0.5-4mm ²)
P/N:	DESCRIPTION:
HKHB1T1TKR	MAINTAINED P. B. TWIST REL, MUSH HD, RED
LGND. PLATE:	EMERGENCY STOP
LOCKOUT ACQY:	N/A
CONTACT 1:	CONTACT BLCK, FACT SEALED N.O. DRM, 20A
CONTACT 2:	CONTACT BLCK, FACT SEALED N.C. DRM, 20A

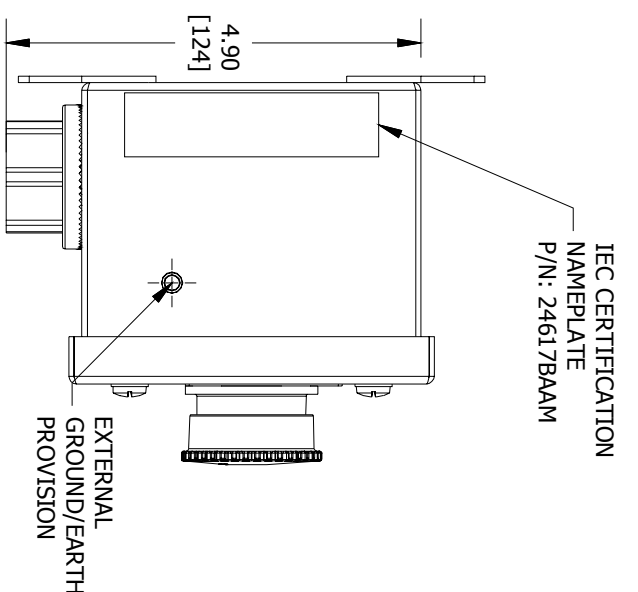
CONTACT BLOCK RATINGS:
690 VAC, 20A, 50-60
60 VDC, 5A, 110VDC, 1.5A



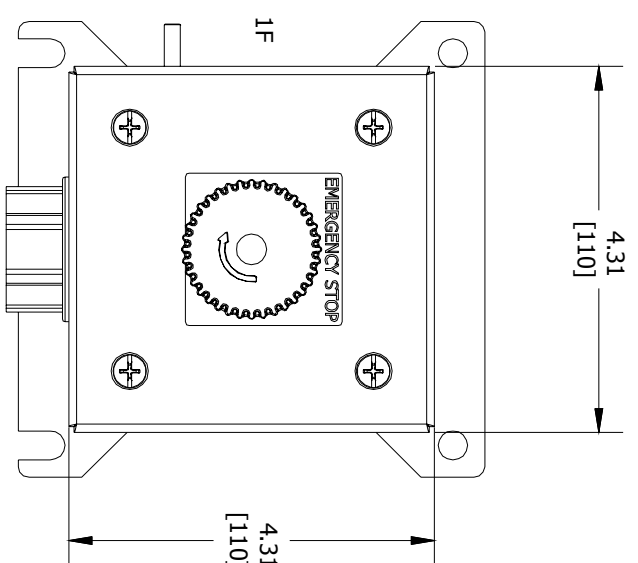
TOP VIEW

CERTIFICATION NAME PLATES

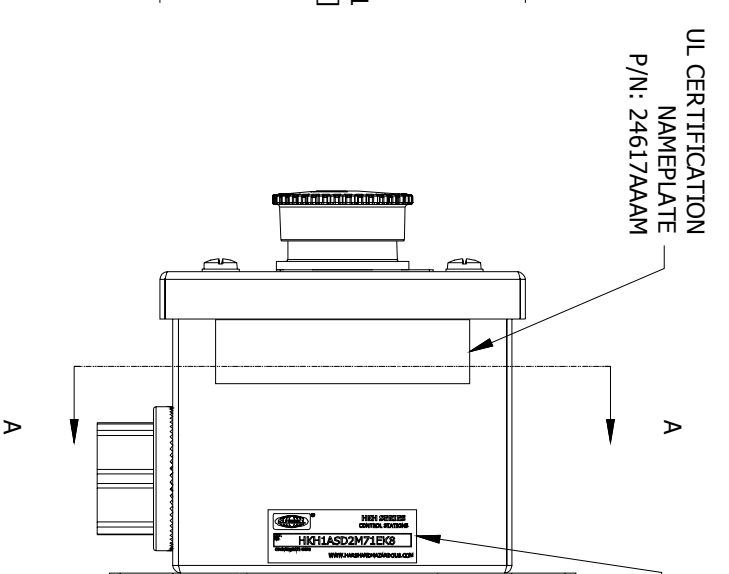
<p>Harsh & Hazardous</p> <p>INDUSTRIAL CONTROL EQUIPMENT FOR USE IN ZONE CLASSIFIED HAZ. LOCS.</p> <p>CLASS I, ZONE 1, AEx de IIC T6...T4 Gb; Ex de IIC T6...T4 Gb</p> <p>CLASS II, DIV 2, GRPS. A,B,C,D; CLASS II, DIV.1, GRPS. E,F,G (CANADA ONLY)</p> <p>CLASS III, TYPE 3/4/4X/12/13; -50°C STAs+60°C</p>	<p>CAT. NO. HKHMOD Series</p> <p>DATE CODE S/N</p>	<p>DATE CODE S/N</p> <p>ST. LOUIS, MO 63113</p>
	<p>INDUSTRIAL CONTROL EQUIPMENT FOR USE IN ZONE CLASSIFIED HAZ. LOCS.</p> <p>CLASS I, ZONE 1, AEx de IIC T6...T4 Gb; Ex de IIC T6...T4 Gb</p> <p>CLASS II, DIV 2, GRPS. A,B,C,D; CLASS II, DIV.1, GRPS. E,F,G (CANADA ONLY)</p> <p>CLASS III, TYPE 3/4/4X/12/13; -50°C STAs+60°C</p>	<p>INDUSTRIAL CONTROL EQUIPMENT FOR USE IN ZONE CLASSIFIED HAZ. LOCS.</p> <p>CLASS I, ZONE 1, AEx de IIC T6...T4 Gb; Ex de IIC T6...T4 Gb</p> <p>CLASS II, DIV 2, GRPS. A,B,C,D; CLASS II, DIV.1, GRPS. E,F,G (CANADA ONLY)</p> <p>CLASS III, TYPE 3/4/4X/12/13; -50°C STAs+60°C</p>



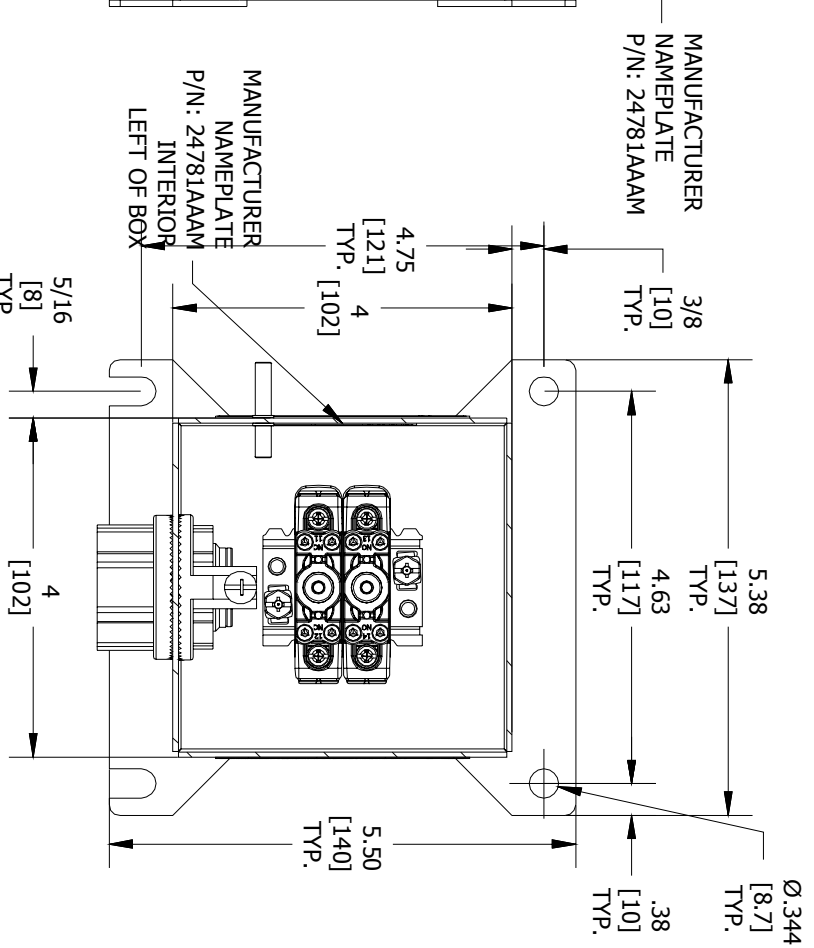
LEFT SIDE VIEW



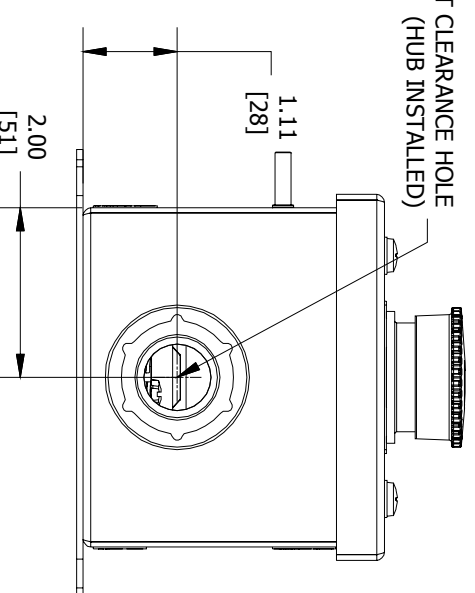
FRONT VIEW



RIGHT SIDE VIEW



SECTION A-A VIEW



BOTTOM VIEW

COMMENT:	SGN:	DATE:	ACCEPTANCE:
			CODE 1: APPROVED (NO COMMENTS)
			CODE 2: APPROVED FOR MANUFACTURING WITH COMMENTS TO BE INCORPORATED
			CODE 3: NOT APPROVED RE-SUBMIT
			CODE 4: FOR INFORMATION ONLY

DRAWN BY:	DATE:	DWG NUMBER:
PR	09-27-2016	HKH1ASD2M71EK8
TITLE:	SALES/QUOTE NO.:	ITEM:
HKH MODIFIED ENCLOSURE (HKH1ASD2M71EK8)	N/A	N/A

ENTRY HUB/GLAND SELECTION CHART*	
ENTRY NO.	HUB/GLAND:
ENTRY 1	K8: WH-2SSG

*HUBS & CABLE GLANDS ARE SHIPPED WITH ENCLOSURE

HKH SERIES CONTROL STATIONS

NO. **HKH1ASD2M71EK8**

COUNT/DATE CODE

WWW.HARSHANDHAZARDOUS.COM

MFG. NAME PLATE (REF.)

REVISION	3	REVISION	2