

4

3

2

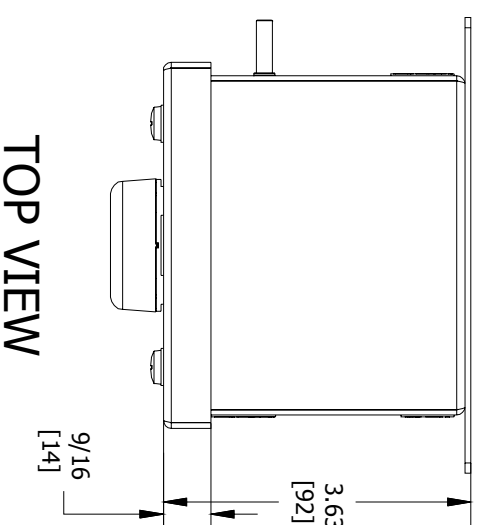
1

ENCLOSURE INFORMATION	
P/N:	DESCRIPTION:
23830CBAM	BOX SST 1F 1ø, 3/4 NPT BOTTOM
23803ABAB	COVER SST 1F 1ø, SINGLE DEVICE
23203AAMB	ASSY, DIN RAIL HKH 1 TIER
MOUNT METHOD:	
	AC230V 16A AC-15
	AC230V 16A AC-12
	50-60HZ
	DC60V 5A DC-13
	TERMINALS RATED FOR 1-2 CONDUCTORS
	#22-10 AWG. (0.5-4mm ²)

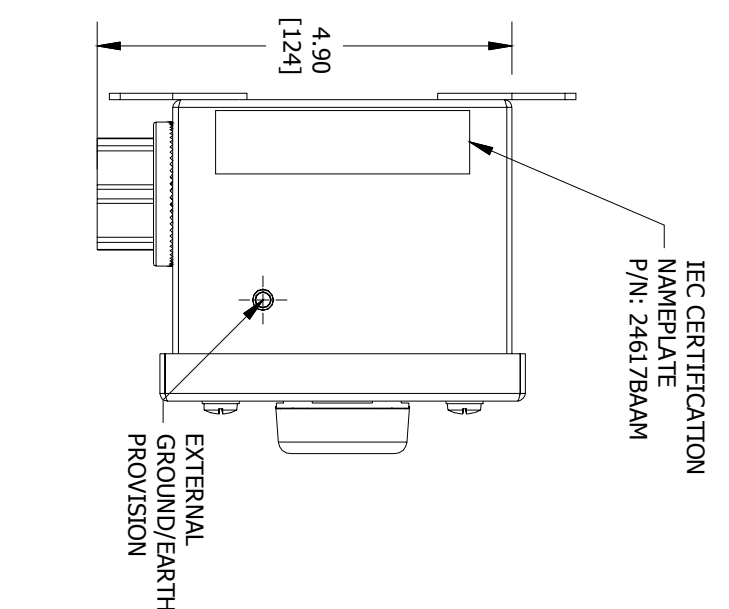
CONTACT BLOCK RATINGS:
 690 VAC, 20A, 50-60
 60 VDC, 5A, 110VDC, 1.5A

1/2 HP @ 120 VAC, 1 HP @ 208/240/277VAC
 NEMA A600/P600 - PILOT DUTY
 350VAC, 20A - TUNGSSTEN
 AC690V 16A AC-15
 AC230V 16A AC-12
 50-60HZ
 DC60V 5A DC-13
 TERMINALS RATED FOR 1-2 CONDUCTORS
 #22-10 AWG. (0.5-4mm²)

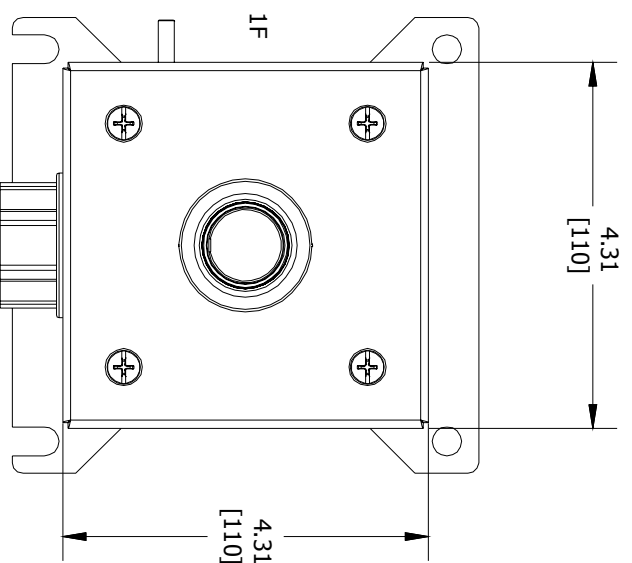
- *SUPPLIED WITH 7 COLORED INSERTS:
1. "STOP" (RED)
 2. "START" (GREEN)
 3. "I" (GREEN)
 4. "O" (RED)
 5. BLANK (BLACK)
 6. BLANK (GREEN)
 7. BLANK (RED)



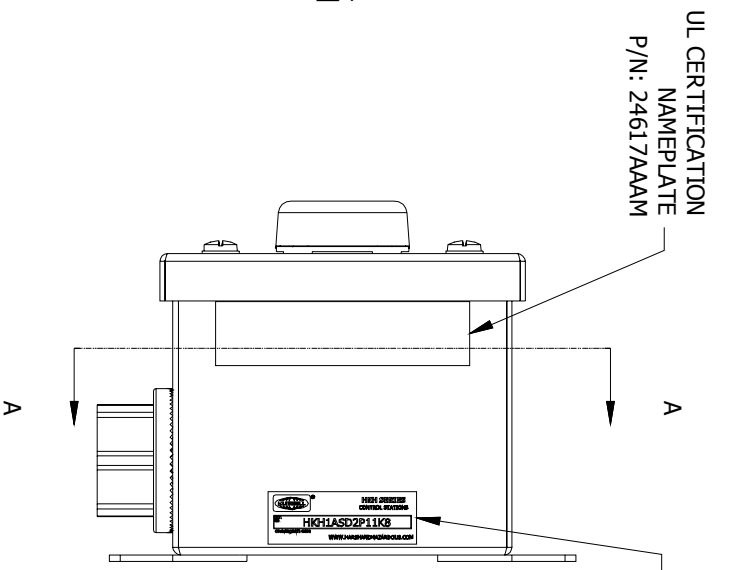
TOP VIEW



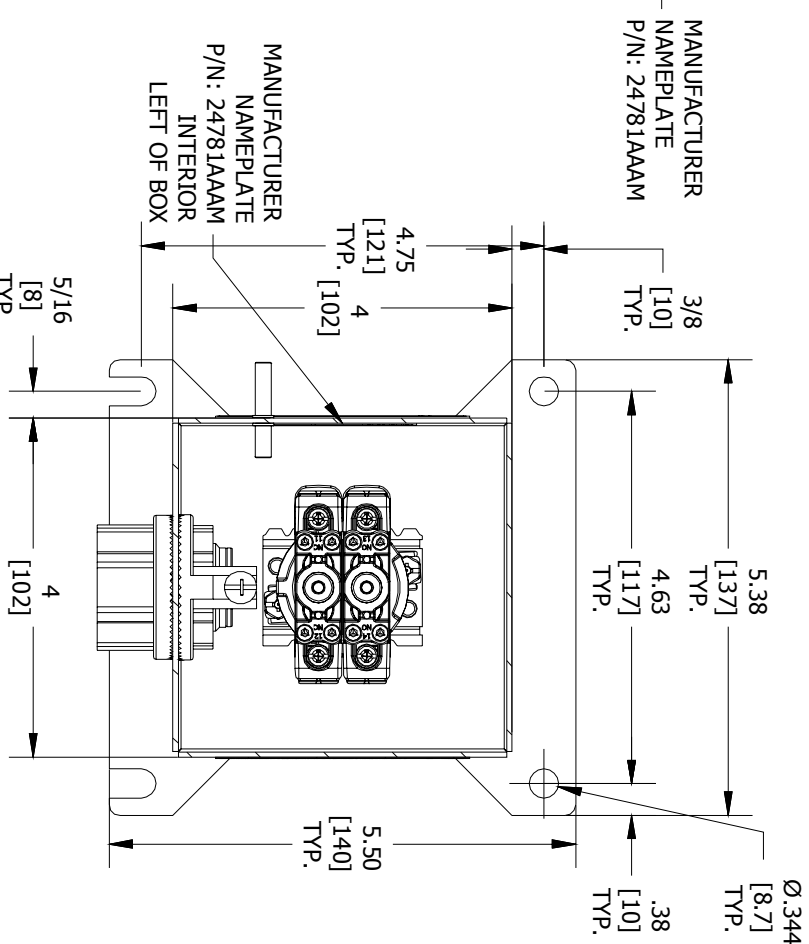
LEFT SIDE VIEW



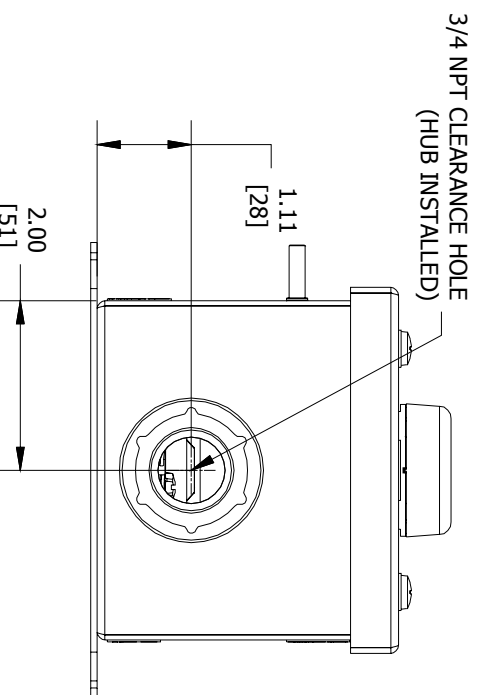
FRONT VIEW



RIGHT SIDE VIEW



SECTION A-A VIEW



BOTTOM VIEW

HUBBEL
 Harsh & Hazardous
 CAT. NO. **HKHMOD Series**
 DATE CODE S/N

INDUSTRIAL CONTROL EQUIPMENT FOR USE IN ZONE CLASSIFIED HAZ. LOCS.
 CLASS I, ZONE 1, AEx de IIC T6...T4 Gb; Ex de IIC T6...T4 Gb
 ZONE 21, AEx tb IIC T85°C...T135°C; Db IP66; Ex tb IIC T85°C...T135°C Db IP66
 CLASS I, DIV.2, GRPS. A,B,C,D; CLASS II, DIV.1, GRPS. E,F,G (CANADA ONLY)
 CLASS II, DIV.2, GROUPS E,F,G; CLASS III
 CLASS III; TYPE 3/4/4X/12/13; -50°C STAs+60°C

SEE IOM FORM K1466 FOR ELECTRICAL RATINGS.

ST. LOUIS, MO 63113

HUBBEL
 Harsh & Hazardous
 CAT. NO. **HKHMOD Series**
 DATE CODE S/N

INDUSTRIAL CONTROL EQUIPMENT FOR USE IN ZONE CLASSIFIED HAZ. LOCS.
 CLASS I, ZONE 1, AEx de IIC T6...T4 Gb; Ex de IIC T6...T4 Gb
 ZONE 21, AEx tb IIC T85°C...T135°C; Db IP66; Ex tb IIC T85°C...T135°C Db IP66
 CLASS I, DIV.2, GRPS. A,B,C,D; CLASS II, DIV.1, GRPS. E,F,G (CANADA ONLY)
 CLASS II, DIV.2, GROUPS E,F,G; CLASS III
 CLASS III; TYPE 3/4/4X/12/13; -50°C STAs+60°C

SEE IOM FORM K1466 FOR ELECTRICAL RATINGS.

ST. LOUIS, MO 63113

CERTIFICATION NAME PLATES

A

B

C

D

HUBBEL
 HKH SERIES
 CONTROL STATIONS
 MFG. NAME PLATE (REF.)
 HKH1ASD2P11K8
 WWW.HARSHANDHAZARDOUS.COM

COMMENT:

SGN:

DATE:

ACCEPTANCE:

DRAWN BY:

DATE:

DWG NUMBER:

HUB/GLAND:

ITEM:

REVISION



KILLARK

THIS DOCUMENT IS THE PROPERTY OF HUBBEL - KILLARK. IT IS LOANED TO YOU AND MUST NOT BE USED IN ANY WAY DETRIMENTAL TO THE INTEREST OF HUBBEL - KILLARK.

HKH MODIFIED ENCLOSURE (HKH1ASD2P11K8)

DATE:

SALES/QUOTE NO.:

DATE:

DATE:

SHEET 1 OF 1

4

3

2

1

ENTRY HUB/GLAND SELECTION CHART*

ENTRY NO.	HUB/GLAND:
ENTRY 1	K8: WH-2SSG

*HUBS & CABLE GLANDS ARE SHIPPED WITH ENCLOSURE

A

B

C

D