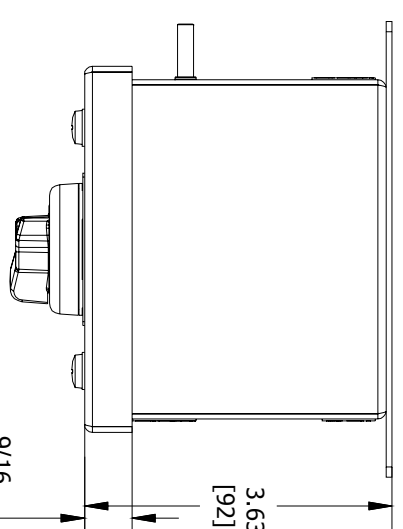


ENCLOSURE INFORMATION	
P/N:	DESCRIPTION:
23830CBAM	BOX SST 1F 1ø, 3/4 NPT BOTTOM
23803ABAB	COVER SST 1F 1ø, SINGLE DEVICE
23203AAMB	ASSY, DIN RAIL HKH 1 TIER
MOUNT METHOD:	
DEVICE 1 ASSEMBLY (1F)	
P/N:	DESCRIPTION:
HKH2P5MTV	2 POS SEL SWT MAINTAINED CONTACT, VERT
23225ABAB	OFF/ON
LOCKOUT ACVY:	
N/A	
CONTACT 1:	CONTACT BLCK, FACT SEALED N.O. DRM, 20A
CONTACT 2:	CONTACT BLCK, FACT SEALED N.C. DRM, 20A

CONTACT BLOCK RATINGS:
690 VAC, 20A, 50-60
60 VDC, 5A, 110VDC, 1.5A

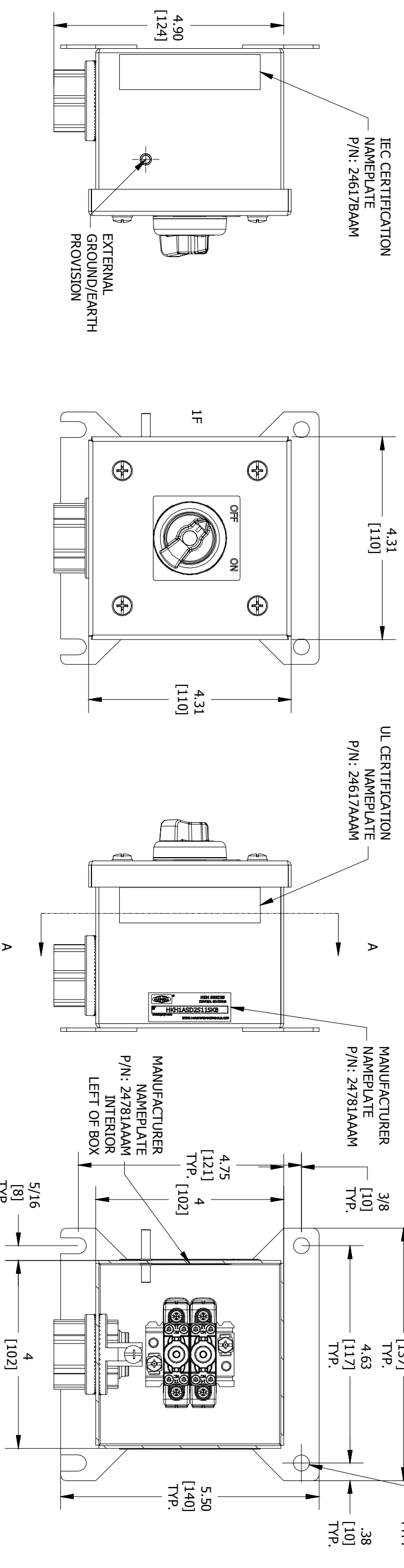
1/2 HP @ 120 VAC, 1 HP @ 208/240/277VAC
NEMA A600/P600 - PILOT DUTY
350VAC, 20A - TUNGSSTEN
AC690V 16A AC-12
AC230V 16A AC-15
50-60HZ
DC60V 5A DC-13
TERMINALS RATED FOR 1-2 CONDUCTORS
#22-10 AWG. (0.5-4mm²)



TOP VIEW

	CAT. NO. HKHMOD Series	DATE CODE-S/N ST. LOUIS, MO 63113
	CAT. NO. HKHMOD Series	DATE CODE-S/N ST. LOUIS, MO 63113
Harsh & Hazardous www.harsandhazardous.com	INDUSTRIAL CONTROL EQUIPMENT FOR USE IN ZONE CLASSIFIED HAZ. LOCS. CLASS I, ZONE 1, AEx de IIC T6...T4 Gb, Ex de IIC T6...T4 Gb ZONE 21, AEx tb IIIC T85°C...T135°C Db IP66, Ex tb IIIC T85°C...T135°C Db IP66 CLASS I, DIV 2, GRPS. A,B,C,D; CLASS II, DIV.1, GRPS. E,F,G (CANADA ONLY) CLASS II, DIV.2, GROUPS E,F,G; CLASS III CLASS III; TYPE 3/4/4X/12/13; -50°C ≤Tas ≤+60°C	SEE IOM FORM K1466 FOR ELECTRICAL RATINGS.
DEMKO 15 ATEX 1405X Ex de IIC T6...T4 Gb; Ex tb IIIC T85°C...T135°C Db IP66 IECEx UL 15.0054X (-50°C ≤Tas ≤+60°C (-40°C ≤Tas ≤+55°C WITH AMMETER)	TR RU C-US, MIOG2.B.04167 IEX 16.0079 INMETERO	SEE IOM FORM K1466 FOR ELECTRICAL RATINGS.

CERTIFICATION NAME PLATES

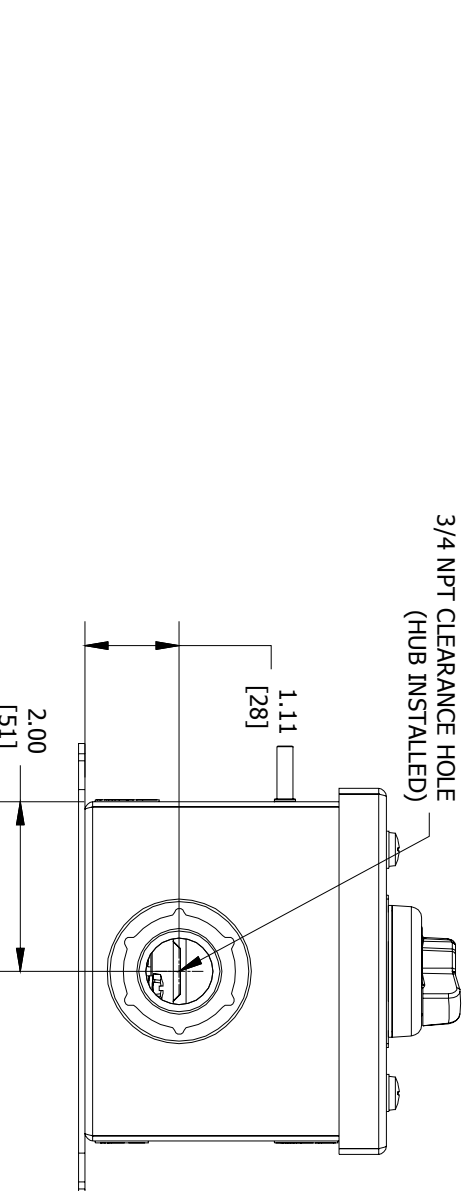


LEFT SIDE VIEW

FRONT VIEW

RIGHT SIDE VIEW

SECTION A-A VIEW



BOTTOM VIEW

COMMENT:

SGN:

DATE:

ACCEPTANCE:

DRAWN BY:

DATE:

DWG NUMBER:

HUB/GLAND:

ITEM:

CODE 1: APPROVED (NO COMMENTS)

CODE 2: APPROVED FOR MANUFACTURING WITH COMMENTS TO BE INCORPORATED

PR

09-28-2016

SALES/QUOTE NO.:

N/A

N/A

CODE 3: NOT APPROVED RE-SUBMIT

CODE 4: FOR INFORMATION ONLY

TITLE:

HKH MODIFIED ENCLOSURE

(HKH1ASD2S11SK8)

SHEET 1 OF 1

A

HKH SERIES
CONTROL STATIONS

CONTROL NO. HKH1ASD2S11SK8

COUNTY/DATE CODE

WWW.HARSHANDHAZARDOUS.COM

MFG. NAME PLATE (REF.)

4

A

REVISION

3

KILLARK

2

HKH MODIFIED ENCLOSURE (HKH1ASD2S11SK8)

1

SHEET 1 OF 1

A

B

C

D

4

3

2

1

1

A