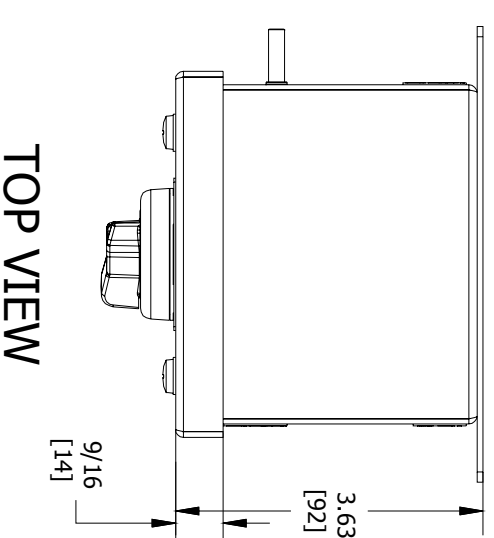


ENCLOSURE INFORMATION	
P/N:	DESCRIPTION:
23830CBAM	BOX SST 1F 1a, 3/4 NPT BOTTOM
COVER:	COVER SST 1F 1a, SINGLE DEVICE
23803ABAB	
23203AAMB	ASSY, DIN RAIL HKH 1 TIER
MOUNT METHOD:	
	ASSY, DIN RAIL HKH 1 TIER
	DEVICE 1 ASSEMBLY (1F)
P/N:	DESCRIPTION:
HHKH2PSMMRV	2 POS SEL SWT MOMENTARY RIGHT, VERT
LGND. PLATE:	Blank
23225AAMB	
LOCKOUT ACY:	N/A
NONE	
CONTACT 1:	CONTACT BLCK, FACT SEALED N.O. DRM, 20A
HKHINO20D	
CONTACT 2:	CONTACT BLCK, FACT SEALED N.C. DRM, 20A
HKHINC20D	

CONTACT BLOCK RATINGS:  
 690 VAC, 20A, 50-60  
 60 VDC, 5A, 110VDC, 1.5A

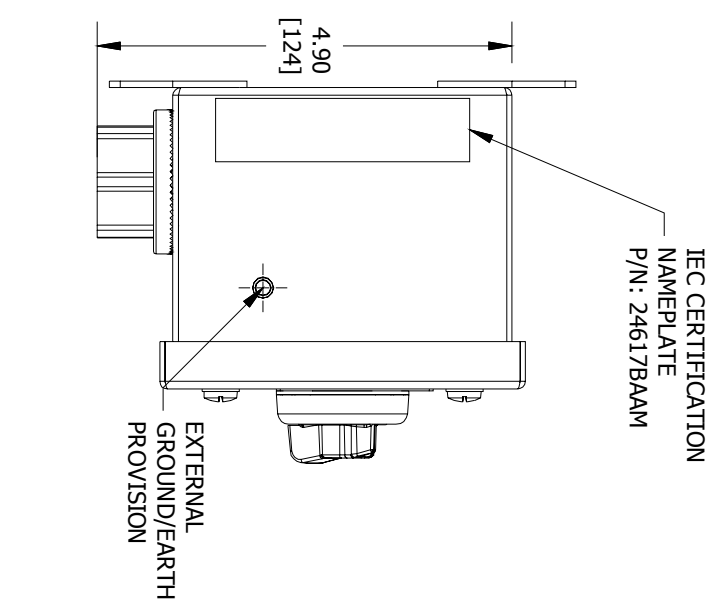
1/2 HP @ 120 VAC, 1 HP @ 208/240/277VAC  
 NEMA A600/P600 - PILOT DUTY  
 350VAC, 20A - TUNSGTEN  
 AC690V 16A AC-12  
 AC230V 16A AC-15  
 50-60HZ  
 DC60V 5A DC-13  
 TERMINALS RATED FOR 1-2 CONDUCTORS  
 #22-10 AWG. (0.5-4mm2)



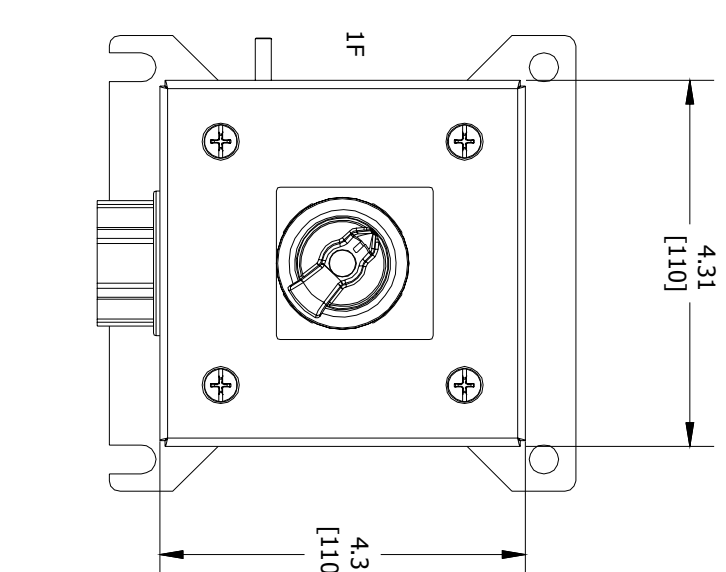
TOP VIEW

	CAT. NO. <b>HKHMOD Series</b>	DATE CODE/S/N
Harsb & Hazardous	WWW.HARSHANDHAZARDOUS.COM	ST. LOUIS, MO 63113
INDUSTRIAL CONTROL EQUIPMENT FOR USE IN ZONE CLASSIFIED HAZ. LOCs.		
CLASS I ZONE 1, AEx de IIC T6...T4 Gb - Ex de IIC T6...T4 Gb		
CLASS I ZONE 1, AEx de IIC T6...T4 Gb - Ex de IIC T6...T4 Gb		
ZONE 21, AEx de IIC T85°C...T135°C Db IP66 - Ex de IIC T85°C...T135°C Db IP66		
CLASS I, DIV 2, GRP5, A,B,C,D; CLASS II, DIV.1, GRP5, E,F,G (CANADA ONLY)		
CLASS II, DIV.2, GROUPS E,F,G; CLASS III		
CLASS III; TYPE 3/4/4X/12/13; -50°C ≤Tas≤+60°C		
SEE IOM FORM K1466 FOR ELECTRICAL RATINGS.		
<b>HKHMOD Series</b>		
DATE CODE/S/N		
ST. LOUIS, MO 63113		
INDUSTRIAL CONTROL EQUIPMENT FOR USE IN ZONE CLASSIFIED HAZ. LOCs.		
CLASS I ZONE 1, AEx de IIC T6...T4 Gb - Ex de IIC T6...T4 Gb		
CLASS I ZONE 1, AEx de IIC T6...T4 Gb - Ex de IIC T6...T4 Gb		
ZONE 21, AEx de IIC T85°C...T135°C Db IP66 - Ex de IIC T85°C...T135°C Db IP66		
CLASS I, DIV 2, GRP5, A,B,C,D; CLASS II, DIV.1, GRP5, E,F,G (CANADA ONLY)		
CLASS II, DIV.2, GROUPS E,F,G; CLASS III		
CLASS III; TYPE 3/4/4X/12/13; -50°C ≤Tas≤+60°C		
SEE IOM FORM K1466 FOR ELECTRICAL RATINGS.		

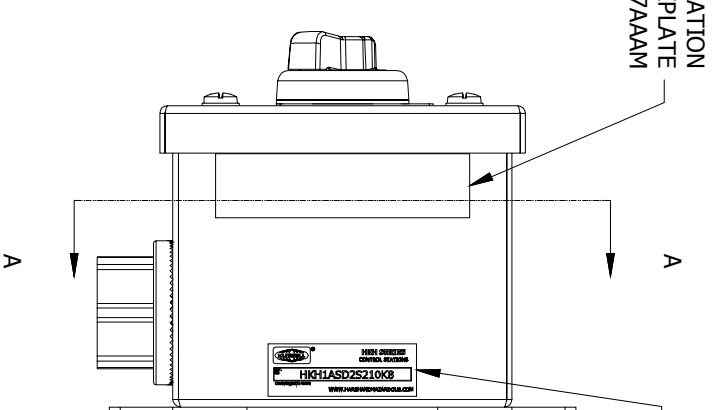
CERTIFICATION NAME PLATES



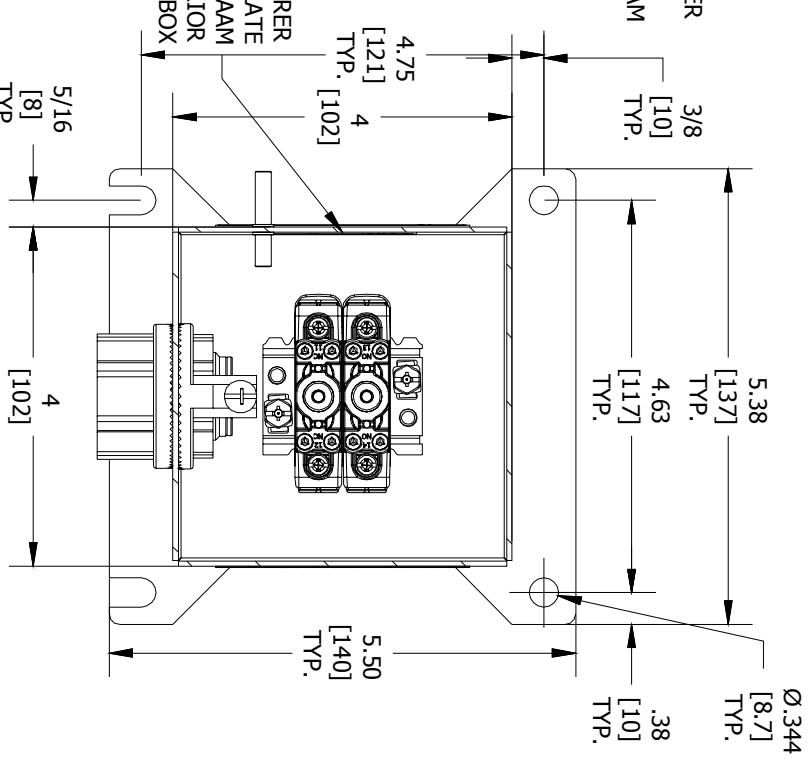
LEFT SIDE VIEW



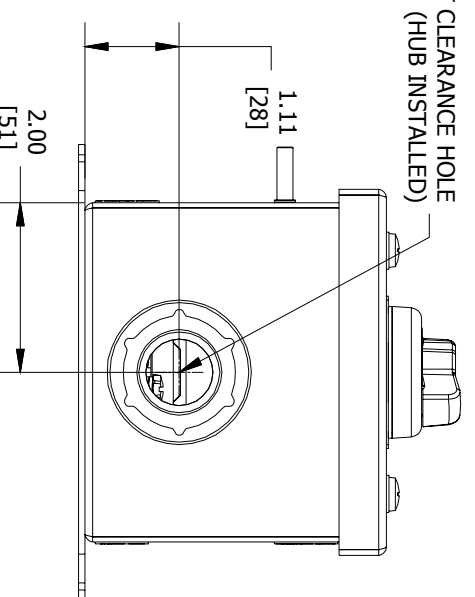
FRONT VIEW



RIGHT SIDE VIEW



SECTION A-A VIEW



BOTTOM VIEW

COMMENT:	SGN:	DATE:	ACCEPTANCE:	DRAWN BY:	DATE:	DWG NUMBER:	ENTRY NO.	HUB/GLAND:	ENTRY 1	K8: WH-255G	ITEM:
			CODE 1: APPROVED (NO COMMENTS)	PR	09-28-2016	HKH1ASD2S210K8					N/A
			CODE 2: APPROVED FOR MANUFACTURING WITH COMMENTS TO BE INCORPORATED								
			CODE 3: NOT APPROVED RE-SUBMIT								
			CODE 4: FOR INFORMATION ONLY								
TITLE:				HKH MODIFIED ENCLOSURE (HKH1ASD2S210K8)							
REVISION											

COMMENT:

SGN:

DATE:

ACCEPTANCE:

DRAWN BY:

DATE:

DWG NUMBER:

ENTRY NO.

HUB/GLAND:

ENTRY 1

K8: WH-255G

ITEM:

SALES/QUOTE NO.:

N/A

MFG. NAME PLATE (REF.)

