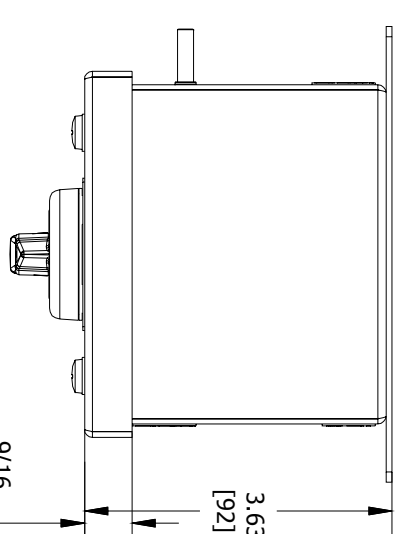


ENCLOSURE INFORMATION	
P/N:	DESCRIPTION:
23830CBAM	BOX SST 1F 1ø, 3/4 NPT BOTTOM
23803ABAB	COVER SST 1F 1ø, SINGLE DEVICE
23203AAMB	ASSY, DIN RAIL HKH 1 TIER
DEVICE 1 ASSEMBLY (1F)	
P/N:	DESCRIPTION:
HKH3P5M1RV	3 POS SEL SWT MOM L/R/T, MAINT CTR, VERT
23225AAMB	Blank
LOCKOUT ACVY:	N/A
CONTACT 1:	CONTACT BLCK, FACT SEALED N.O. DRM, 20A
CONTACT 2:	CONTACT BLCK, FACT SEALED N.O. DRM, 20A

CONTACT BLOCK RATINGS:
690 VAC, 20A, 50-60
60 VDC, 5A, 110VDC, 1.5A

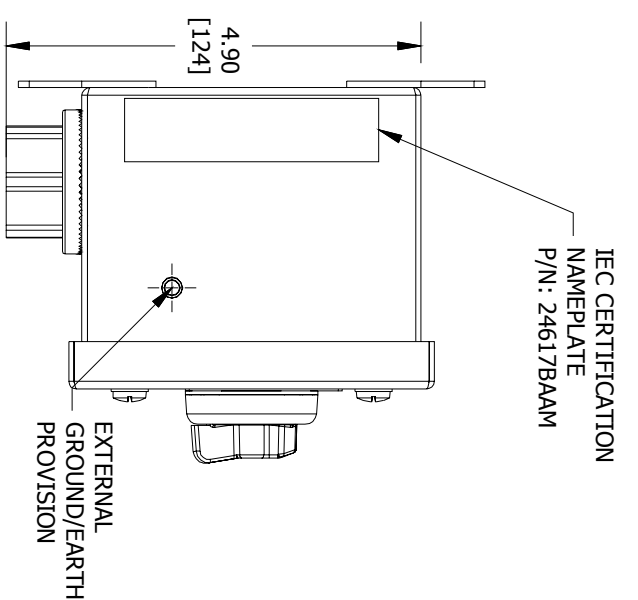
1/2 HP @ 120 VAC, 1 HP @ 208/240/277VAC
NEMA A600/P600 - PILOT DUTY
350VAC, 20A - TUNGSSTEN
AC690V 16A AC-12
AC230V 16A AC-15
50-60HZ
DC60V 5A DC-13
TERMINALS RATED FOR 1-2 CONDUCTORS
#22-10 AWG. (0.5-4mm²)



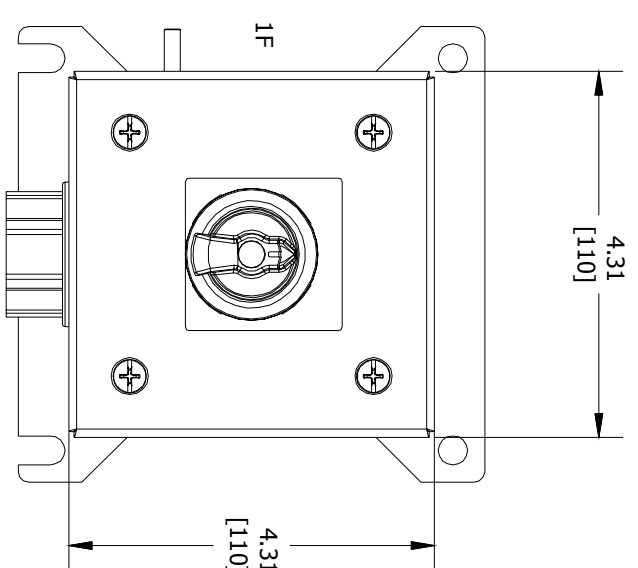
TOP VIEW

CERTIFICATION NAME PLATES

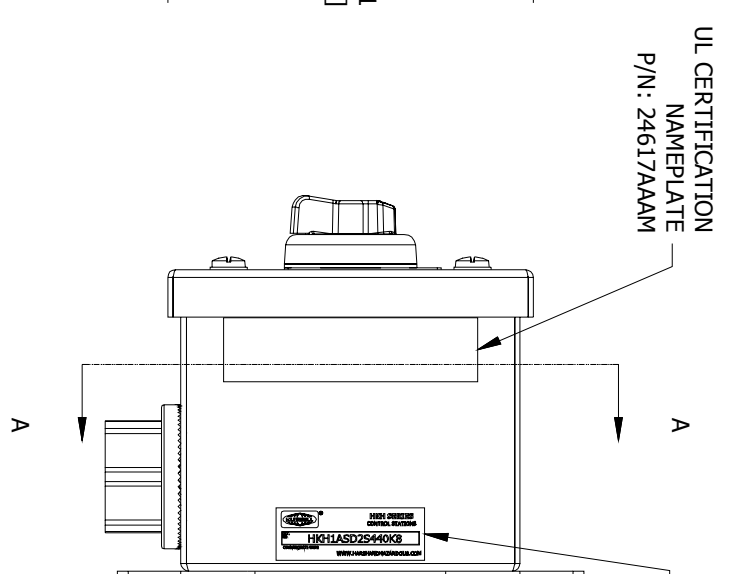
<p>Harsh & Hazardous</p> <p>CAT. NO. HKHMOD Series</p> <p>DATE CODE-S/N</p>	<p>INDUSTRIAL CONTROL EQUIPMENT FOR USE IN ZONE CLASSIFIED HAZ. LOCS.</p> <p>CLASS I, ZONE 1, AEx de IIC T6...T4 Gb; Ex de IIC T6...T4 Gb</p> <p>CLASS II, DIV. 2, GRPS. A,B,C,D; CLASS II, DIV. 1, GRPS. E,F,G (CANADA ONLY)</p> <p>CLASS III; TYPE 3/4/4X/12/13; -50°C ≤T_a ≤+60°C</p> <p>SEE IOM FORM K1466 FOR ELECTRICAL RATINGS.</p>	<p>ATEX Ex de IIC T6...T4 Gb</p> <p>ATEX Ex tb IIC T85°C...T135°C Db IP66</p> <p>ATEX Ex de IIC T6...T4 Gb; Ex de IIC T85°C...T135°C Db IP66</p> <p>ATEX Ex tb IIC T85°C...T135°C Db IP66</p> <p>ATEX Ex de IIC T6...T4 Gb; Ex de IIC T85°C...T135°C Db IP66</p> <p>ATEX Ex tb IIC T85°C...T135°C Db IP66</p> <p>ATEX Ex de IIC T6...T4 Gb; Ex de IIC T85°C...T135°C Db IP66</p> <p>ATEX Ex tb IIC T85°C...T135°C Db IP66</p> <p>ATEX Ex de IIC T6...T4 Gb; Ex de IIC T85°C...T135°C Db IP66</p> <p>ATEX Ex tb IIC T85°C...T135°C Db IP66</p>	<p>INDUSTRIAL CONTROL EQUIPMENT FOR USE IN ZONE CLASSIFIED HAZ. LOCS.</p> <p>CLASS I, ZONE 1, AEx de IIC T6...T4 Gb; Ex de IIC T6...T4 Gb</p> <p>CLASS II, DIV. 2, GRPS. A,B,C,D; CLASS II, DIV. 1, GRPS. E,F,G (CANADA ONLY)</p> <p>CLASS III; TYPE 3/4/4X/12/13; -50°C ≤T_a ≤+60°C</p> <p>SEE IOM FORM K1466 FOR ELECTRICAL RATINGS.</p>
--	--	---	--



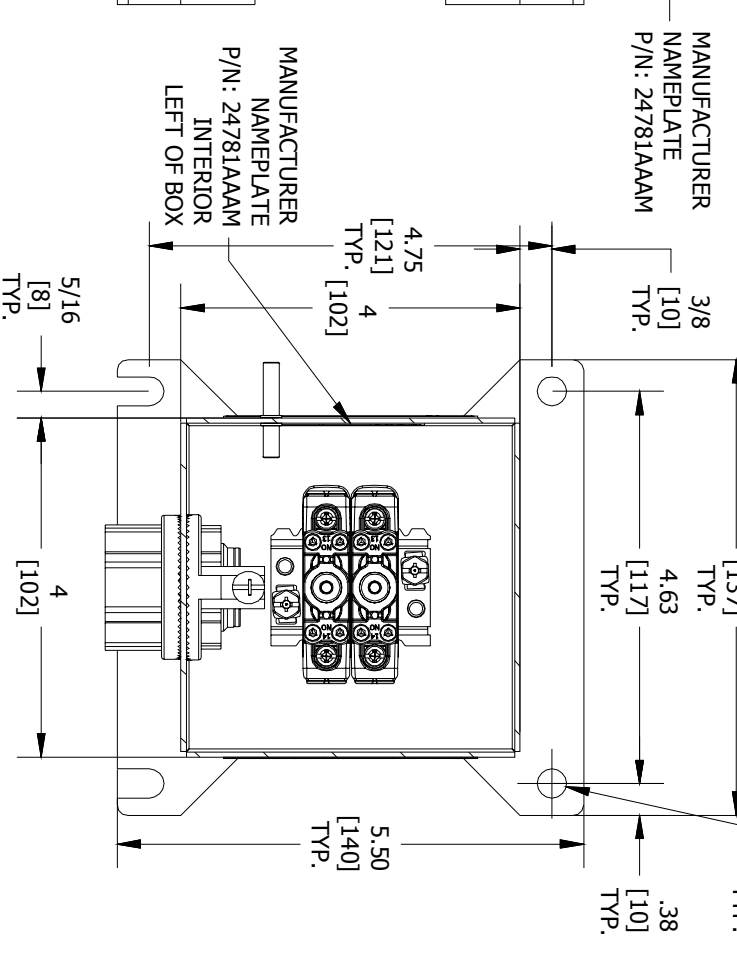
LEFT SIDE VIEW



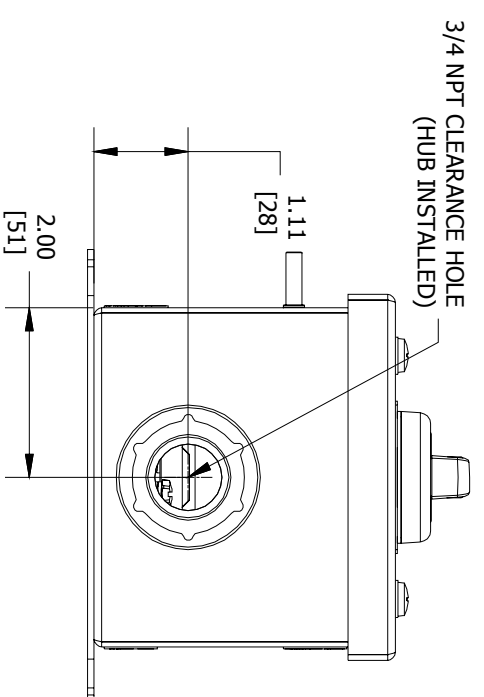
FRONT VIEW



RIGHT SIDE VIEW



SECTION A-A VIEW



BOTTOM VIEW

ENTRY HUB/GLAND SELECTION CHART*	
ENTRY NO.	HUB/GLAND:
ENTRY 1	K8: WH-255G

*HUBS & CABLE GLANDS ARE SHIPPED WITH ENCLOSURE

COMMENT:

SGN:

DATE:

ACCEPTANCE:

DRAWN BY:

DATE:

DWG NUMBER:

SALES/QUOTE NO.:

ITEM:

CODE 1: APPROVED (NO COMMENTS)

CODE 2: APPROVED FOR MANUFACTURING WITH COMMENTS TO BE INCORPORATED

CODE 3: NOT APPROVED RE-SUBMIT

CODE 4: FOR INFORMATION ONLY

TITLE:

HKH MODIFIED ENCLOSURE (HKH1ASD2S440K8)

ENTRY HUB/GLAND SELECTION CHART*

ENTRY NO. HUB/GLAND:

ENTRY 1 K8: WH-255G

ITEM: N/A

A

A

HKH SERIES CONTROL STATIONS

CAT. NO. **HKH1ASD2S440K8**

COUNTY/DATE CODE

WWW.HARSHANDHAZARDOUS.COM

MFG. NAME PLATE (REF.)

4

REVISION

3

2

1

4

3

2

1