

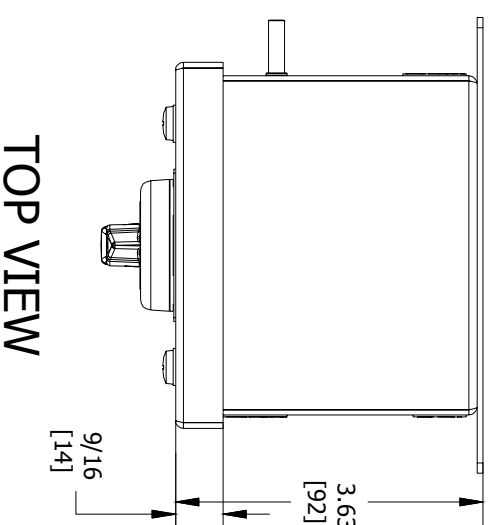
ENCLOSURE INFORMATION	
P/N:	DESCRIPTION:
23830CBAM	BOX SST 1F 1ø, 3/4 NPT BOTTOM
23803ABAB	COVER SST 1F 1ø, SINGLE DEVICE
23203AAMB	ASSY, DIN RAIL HKH 1 TIER
MOUNT METHOD:	
	AC690V 16A AC-12
	AC230V 16A AC-15
	50-60HZ
	DC60V 5A DC-13
	TERMINALS RATED FOR 1-2 CONDUCTORS
	#22-10 AWG. (0.5-4mm ²)
P/N:	DESCRIPTION:
HKH3PSMRY	3 POS SEL SWT MAINT L/T/CTR, MOM RT, VERT
23225AAMB	Blank
LOCKOUT ACQY:	N/A
CONTACT 1:	CONTACT BLCK, FACT SEALED N.O. DRW, 20A
CONTACT 2:	CONTACT BLCK, FACT SEALED N.O. DRW, 20A

CONTACT BLOCK RATINGS:
690 VAC, 20A, 50-60
60 VDC, 5A, 110VDC, 1.5A

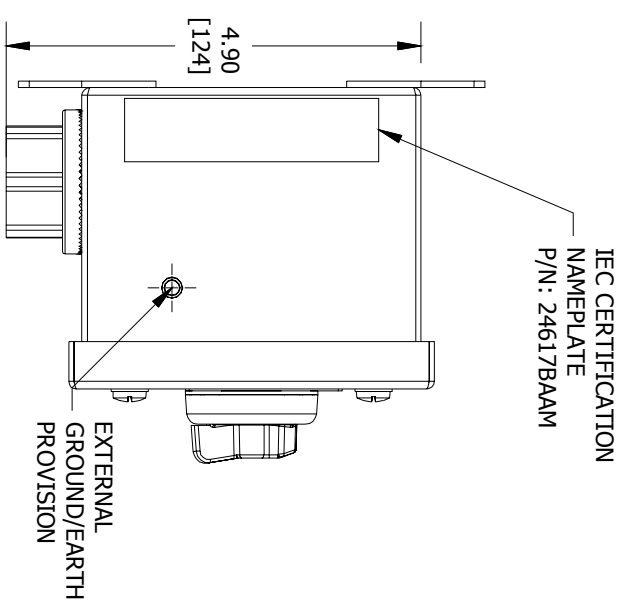
1/2 HP @ 120 VAC, 1 HP @ 208/240/277VAC
NEMA A600/P600 - PILOT DUTY
350VAC, 20A - TUNGSTEN
AC690V 16A AC-12
AC230V 16A AC-15

TERMINALS RATED FOR 1-2 CONDUCTORS
#22-10 AWG. (0.5-4mm²)

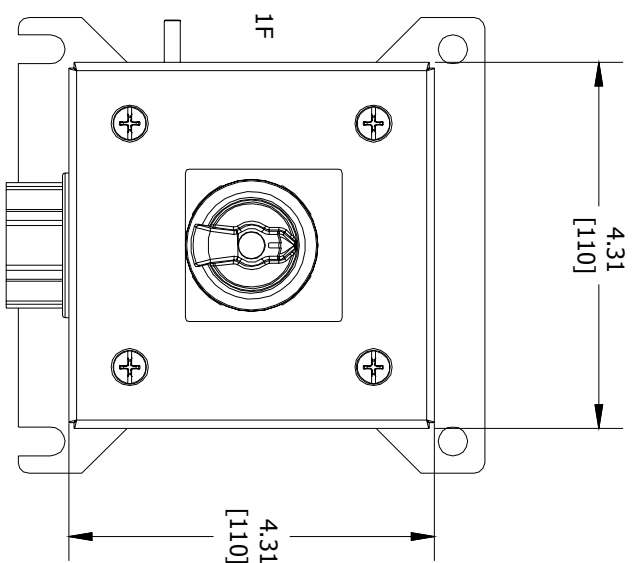
TERMINALS RATED FOR 1-2 CONDUCTORS
#22-10 AWG. (0.5-4mm²)



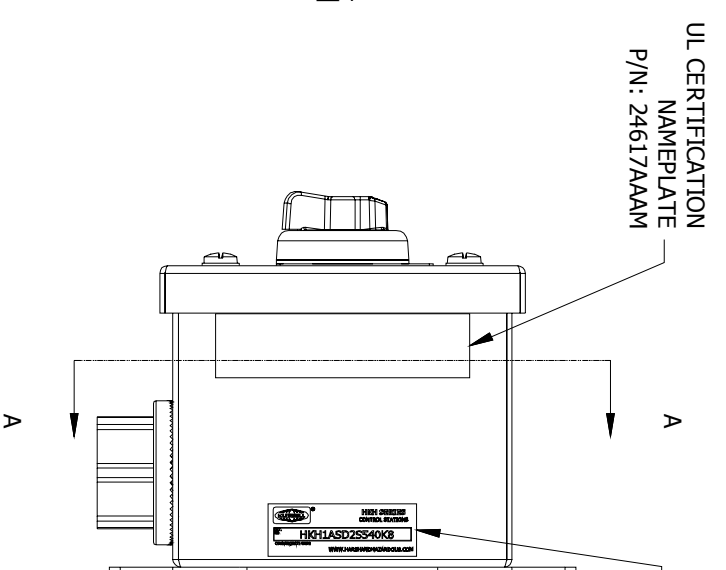
TOP VIEW



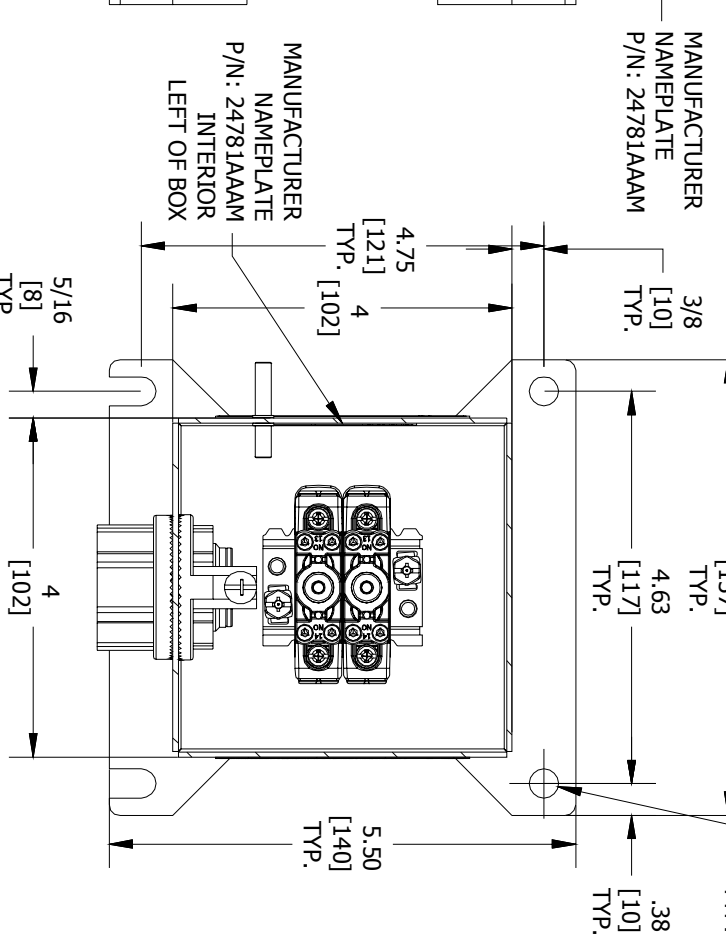
LEFT SIDE VIEW



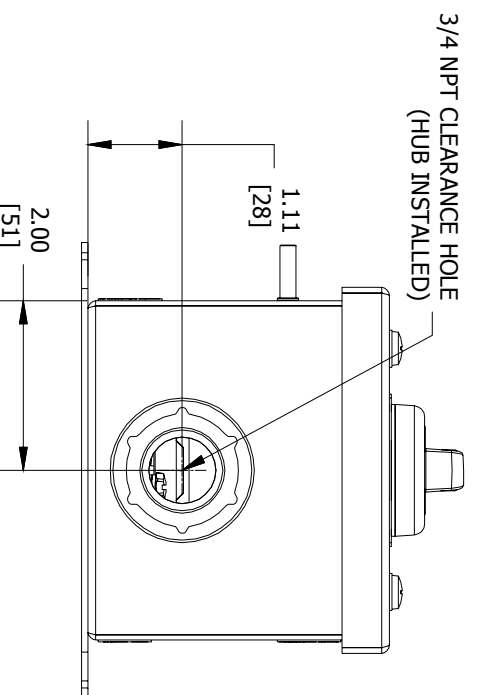
FRONT VIEW



RIGHT SIDE VIEW



SECTION A-A VIEW



BOTTOM VIEW

HUBBEL
Harsh & Hazardous
www.HARSHANDHAZARDOUS.COM

CAT. NO. **HKHMOD Series**
DATE CODE 5/N

INDUSTRIAL CONTROL EQUIPMENT FOR USE IN ZONE CLASSIFIED HAZ. LOC'S.
CLASS I, ZONE 1, AEx de IIC T6...T4 Gb; Ex de IIC T6...T4 Gb
ZONE 21, AEx de IIC T85°C...T135°C Db IP66; Ex tb IIC T85°C...T135°C Db IP66
CLASS I, DIV/2, GRPS. A, B, C, D; CLASS II, DIV.1, GRPS. E, F, G (CANADA ONLY)
CLASS II, DIV.2, GROUPS E, F, G; CLASS III
CLASS III; TYPE 3/4/4X/12/13; -50°C ≤Tas+60°C

SEE IOM FORM K1466 FOR ELECTRICAL RATINGS.

ST. LOUIS, MO 63113

HUBBEL
Harsh & Hazardous
www.HARSHANDHAZARDOUS.COM

CAT. NO. **HKHMOD Series**
DATE CODE 5/N

INDUSTRIAL CONTROL EQUIPMENT FOR USE IN ZONE CLASSIFIED HAZ. LOC'S.
CLASS I, ZONE 1, AEx de IIC T6...T4 Gb; Ex de IIC T6...T4 Gb
ZONE 21, AEx de IIC T85°C...T135°C Db IP66; Ex tb IIC T85°C...T135°C Db IP66
CLASS I, DIV/2, GRPS. A, B, C, D; CLASS II, DIV.1, GRPS. E, F, G (CANADA ONLY)
CLASS II, DIV.2, GROUPS E, F, G; CLASS III
CLASS III; TYPE 3/4/4X/12/13; -50°C ≤Tas+60°C

SEE IOM FORM K1466 FOR ELECTRICAL RATINGS.

ST. LOUIS, MO 63113

COMMENT:	SGN:	DATE:	ACCEPTANCE:	DRAWN BY:	DATE:	DWG NUMBER:	ENTRY NO.	HUB/GLAND:
			CODE 1: APPROVED (NO COMMENTS)			HKH1ASD25540K8	ENTRY 1	K8; WH-255G
			CODE 2: APPROVED FOR MANUFACTURING WITH COMMENTS TO BE INCORPORATED					
			CODE 3: NOT APPROVED RE-SUBMIT					
			CODE 4: FOR INFORMATION ONLY					

REVISION	REVISION	REVISION	REVISION	REVISION

COMMENT:	SGN:	DATE:	ACCEPTANCE:	DRAWN BY:	DATE:	DWG NUMBER:	ENTRY NO.	HUB/GLAND:
			CODE 1: APPROVED (NO COMMENTS)			HKH1ASD25540K8	ENTRY 1	K8; WH-255G
			CODE 2: APPROVED FOR MANUFACTURING WITH COMMENTS TO BE INCORPORATED					
			CODE 3: NOT APPROVED RE-SUBMIT					
			CODE 4: FOR INFORMATION ONLY					

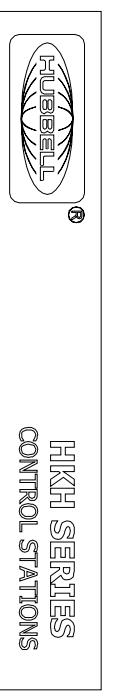
REVISION	REVISION	REVISION	REVISION	REVISION

COMMENT:	SGN:	DATE:	ACCEPTANCE:	DRAWN BY:	DATE:	DWG NUMBER:	ENTRY NO.	HUB/GLAND:
			CODE 1: APPROVED (NO COMMENTS)			HKH1ASD25540K8	ENTRY 1	K8; WH-255G
			CODE 2: APPROVED FOR MANUFACTURING WITH COMMENTS TO BE INCORPORATED					
			CODE 3: NOT APPROVED RE-SUBMIT					
			CODE 4: FOR INFORMATION ONLY					

REVISION	REVISION	REVISION	REVISION	REVISION

COMMENT:	SGN:	DATE:	ACCEPTANCE:	DRAWN BY:	DATE:	DWG NUMBER:	ENTRY NO.	HUB/GLAND:
			CODE 1: APPROVED (NO COMMENTS)			HKH1ASD25540K8	ENTRY 1	K8; WH-255G
			CODE 2: APPROVED FOR MANUFACTURING WITH COMMENTS TO BE INCORPORATED					
			CODE 3: NOT APPROVED RE-SUBMIT					
			CODE 4: FOR INFORMATION ONLY					

REVISION	REVISION	REVISION	REVISION	REVISION



CONTROL STATIONS
HKH1ASD25540K8
COUNT/DATE CODE
WWW.HARSHANDHAZARDOUS.COM

MFG. NAME PLATE (REF.)

4



CONTROL STATIONS
HKH1ASD25540K8
COUNT/DATE CODE
WWW.HARSHANDHAZARDOUS.COM

MFG. NAME PLATE (REF.)

4

COMMENT:

SGN:

DATE:

ACCEPTANCE:

DRAWN BY:

DATE:

DWG NUMBER:

ENTRY NO.:

HUB/GLAND:

ITEM:

COMMENT:

SGN:

DATE:

ACCEPTANCE:

DRAWN BY:

DATE:

DWG NUMBER:

ENTRY NO.:

HUB/GLAND:

ITEM:

COMMENT:

SGN:

DATE:

ACCEPTANCE:

DRAWN BY:

DATE:

DWG NUMBER:

ENTRY NO.:

HUB/GLAND:

ITEM:

COMMENT:

SGN:

DATE:

ACCEPTANCE:

DRAWN BY:

DATE:

DWG NUMBER:

ENTRY NO.:

HUB/GLAND:

ITEM: