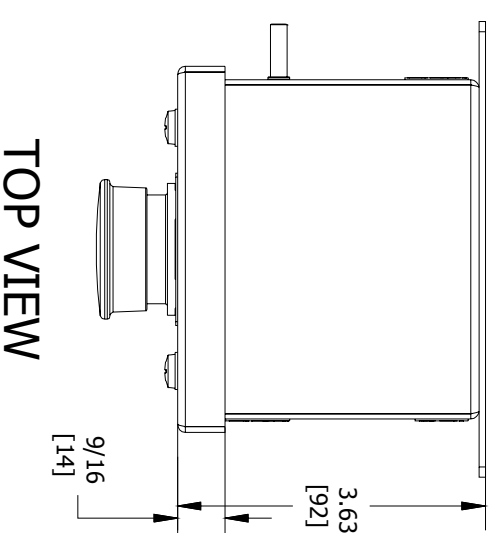


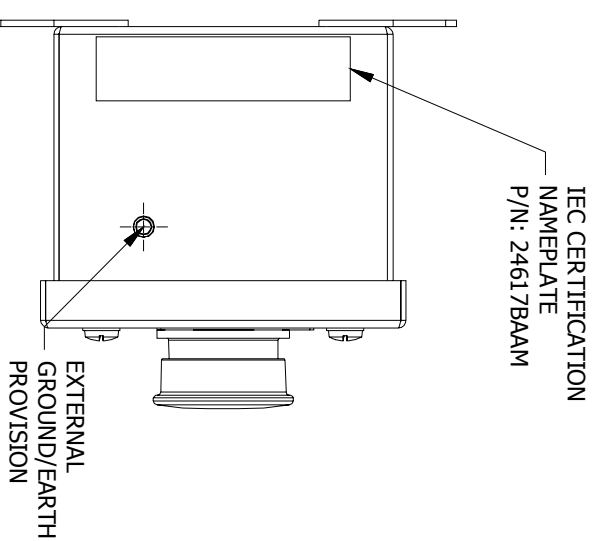
ENCLOSURE INFORMATION	
P/N:	DESCRIPTION:
23830KBAM	BOX SST 1F 1q, M20 BOTTOM
23803ABAB	COVER SST 1F 1q, SINGLE DEVICE
23203AAMB	ASSY, DIN RAIL HKH 1 TIER
DEVICE 1 ASSEMBLY (1F)	
P/N:	DESCRIPTION:
HKHBMNR	MOMENTARY PUSHBUTTON, MUSHROOM HD, RED
2322SCAAB	STOP
LOCKOUT ACV:	N/A
CONTACT 1:	CONTACT BLCK, FACT SEALED N.O. DRW, 20A
CONTACT 2:	CONTACT BLCK, FACT SEALED N.C. DRW, 20A

CONTACT BLOCK RATINGS:
690 VAC, 20A, 50-60
60 VDC, 5A, 110VDC, 1.5A

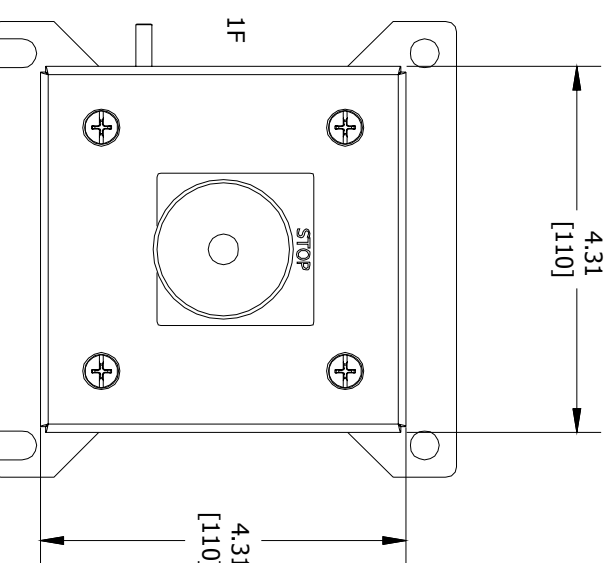
1/2 HP @ 120 VAC, 1 HP @ 208/240/277VAC
NEMA A600/P600 - PILOT DUTY
350VAC, 20A - TUNGSTEN
AC690V 16A AC-12
AC230V 16A AC-15
50-60HZ
DC60V 5A DC-13
TERMINALS RATED FOR 1-2 CONDUCTORS
#22-10 AWG. (0.5-4mm²)



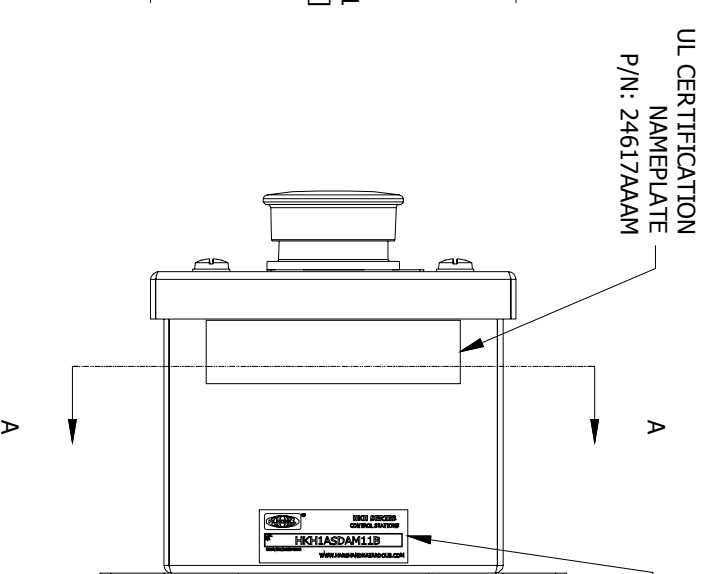
TOP VIEW



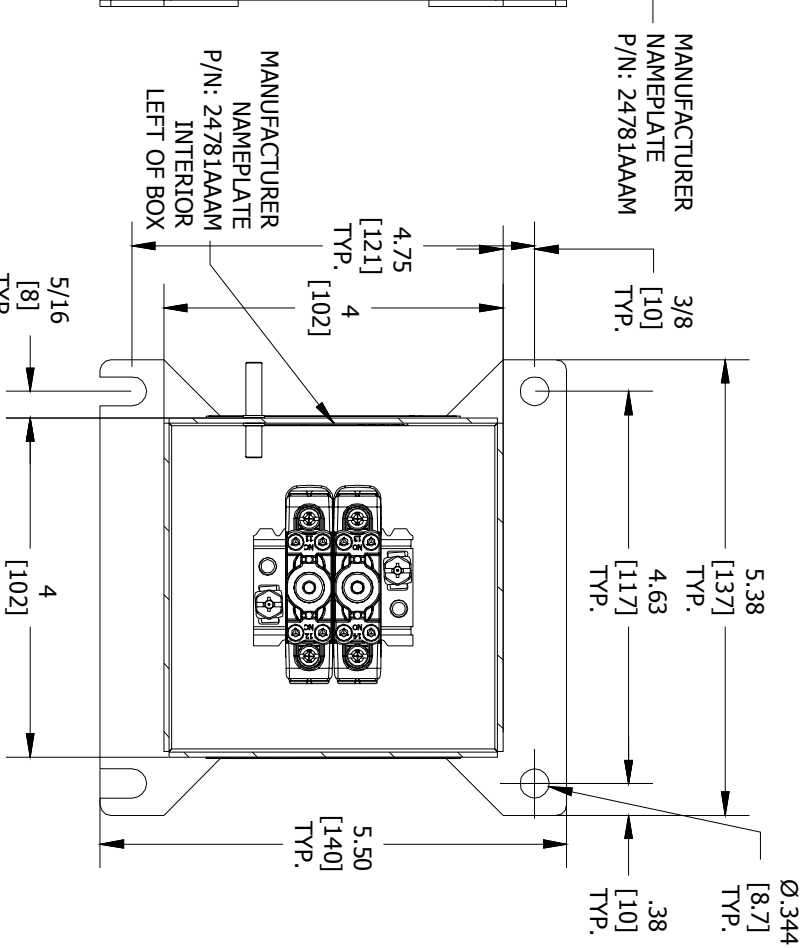
LEFT SIDE VIEW



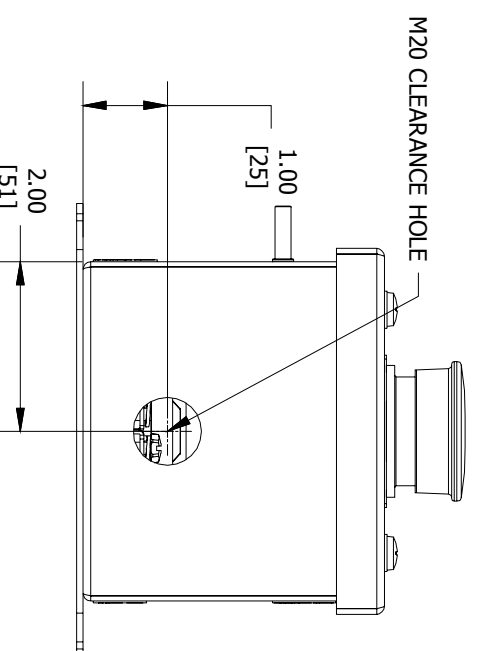
FRONT VIEW



RIGHT SIDE VIEW



SECTION A-A VIEW



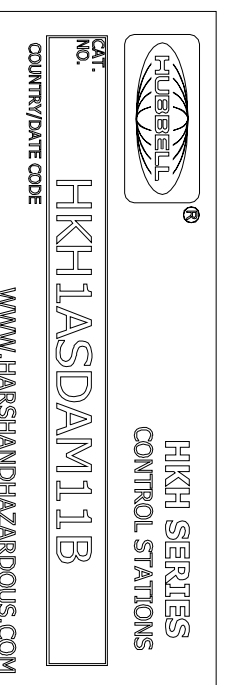
BOTTOM VIEW

COMMENT:	SGN:	DATE:	ACCEPTANCE:	DRAWN BY:	DATE:	DWG NUMBER:	ENTRY NO.	HUB/GLAND:	ENTRY 1:	ITEM:
			CODE 1: APPROVED (NO COMMENTS)	PR	09-22-2016	HKH1ASDAM11B			NONE	N/A
			CODE 2: APPROVED FOR MANUFACTURING WITH COMMENTS TO BE INCORPORATED							
			CODE 3: NOT APPROVED RE-SUBMIT							
			CODE 4: FOR INFORMATION ONLY							

ENTRY HUB/GLAND SELECTION CHART*

ENTRY NO.	HUB/GLAND:
ENTRY 1	NONE

*HUBS & CABLE GLANDS ARE SHIPPED WITH ENCLOSURE



MFG. NAME PLATE (REF.)

<p>Harsh & Hazardous WWW.HARSHANDHAZARDOUS.COM</p>	<p>INDUSTRIAL CONTROL EQUIPMENT FOR USE IN ZONE CLASSIFIED HAZ. LOCS. CLASS I, ZONE 1, AEx de IIC T6...T4 Gb; Ex de IIC T6...T4 Gb CLASS 1, DIV. 2, GRPS. A,B,C,D; CLASS II, DIV.1, GRPS. E,F,G (CANADA ONLY) CLASS III: TYPE 3/4/4X/12/13; -50°C ≤T₃₅ ≤+60°C</p>	<p>CAT. NO. HKHMOD Series</p> <p>DATE CODE-S/N</p>
	<p>ST. LOUIS, MO 63113</p>	<p>ST. LOUIS, MO 63113</p>

SEE IOM FORM K1466 FOR ELECTRICAL RATINGS.

REVISION	DATE:	BY:	DESCRIPTION:
A	09-22-2016		HKH MODIFIED ENCLOSURE (HKH1ASDAM11B)