

ENCLOSURE INFORMATION	
P/N:	DESCRIPTION:
23830KBAM	BOX SET JF 1a, M20 BOTTOM
23803BAB	COVER SST JF 1a, SINGLE DEVICE
23203AAB	ASSY, DIN RAIL HKH 1 TIER
MOUNT METHOD:	
DEVICE 1 ASSEMBLY (1F)	
P/N:	DESCRIPTION:
HKHPBMSS	PUSH BUTTON, MOM., START (U) STOP(O), BLK
LGND. PLATE:	N/A
LOCKOUT ACCY:	NONE
CONTACT 1:	CONTACT BLCK, FACT SEALED N.O. DRW, 20A
CONTACT 2:	CONTACT BLCK, FACT SEALED N.C. DRW, 20A

*SUPPLIED WITH 7 COLORED INSERTS:

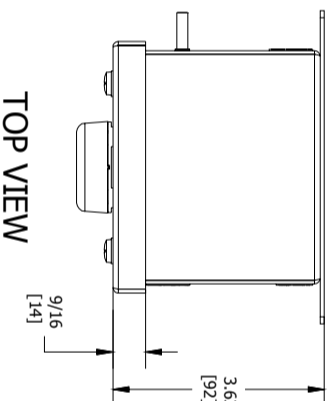
1. "STOP" (RED)
2. "START" (GREEN)
3. "I" (GREEN)
4. "O" (RED)
5. BLANK (BLACK)
6. BLANK (GREEN)
7. BLANK (RED)

CONTACT BLOCK RATINGS:

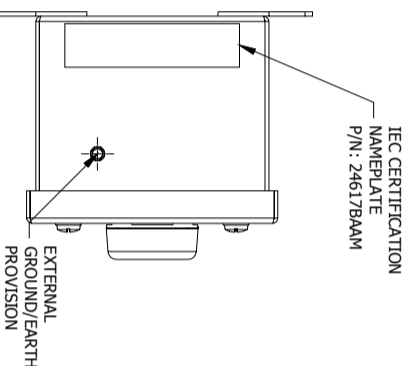
690 VAC, 20A, 50-60
60 VDC, 5A, 110VDC, 1.5A

1/2 HP @ 120 VAC, 1 HP @ 208/240/277VAC
NEMA A600/P600 - PILOT DUTY
350VAC, 20A - TUNGSTEN
AC690V 16A AC-12
AC230V 16A AC-15
50-60HZ

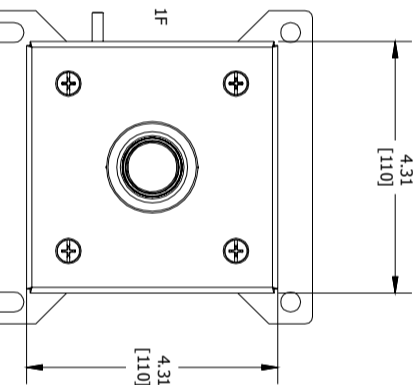
DC60V 5A DC-13
TERMINALS RATED FOR 1-2 CONDUCTORS
#22-10 AWG. (0.5-4mm²)



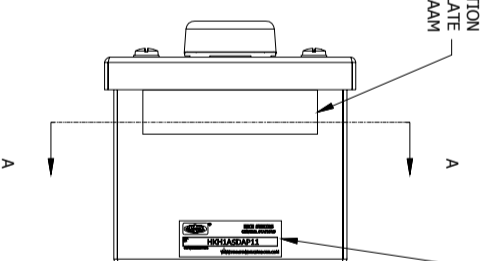
TOP VIEW



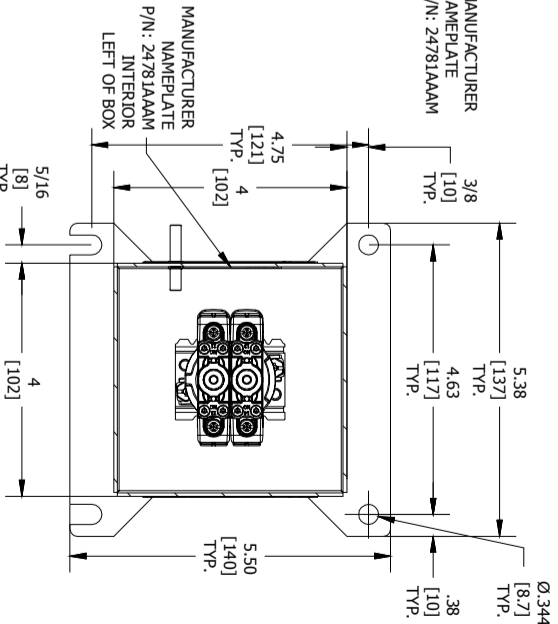
LEFT SIDE VIEW



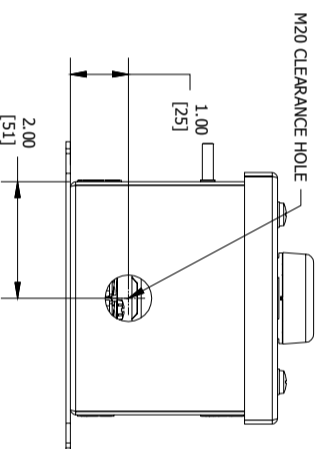
FRONT VIEW



RIGHT SIDE VIEW



SECTION A-A VIEW



BOTTOM VIEW

COMMENT:

SGN:

DATE:

ACCEPTANCE:

CODE 1: APPROVED (NO COMMENTS)

CODE 2: APPROVED FOR MANUFACTURING WITH COMMENTS TO BE INCORPORATED

CODE 3: NOT APPROVED RE-SUBMIT

CODE 4: FOR INFORMATION ONLY

DRAWN BY:

DATE:

DWG NUMBER:

HKH1ASDAP11

SALES/QUOTE NO.:

ITEM:

N/A

ENTRY HUB/GLAND SELECTION CHART*	
ENTRY NO.	HUB/GLAND:
ENTRY 1	NONE

*HUBS & CABLE GLANDS ARE SHIPPED WITH ENCLOSURE

A

B

C

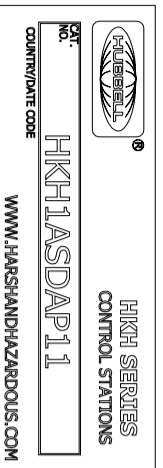
D

A

B

C

D



EXT. NO. HKH1ASDAP11
COUNTRY/DATE CODE

WWW.HARSHANDHAZARDOUS.COM

MFG. NAME PLATE (REF.)

REVISION



3

*THIS DOCUMENT IS THE PROPERTY OF HUBBEL - KILLARK. IT IS TO BE USED ONLY FOR THE PROJECT AND NOT BE LOANED, REPRODUCED, COPIED, OR DISTRIBUTED TO THE INTEREST HUBBEL - KILLARK.



Harsht & Hazardous

CAT. NO.

HKHMOD Series

DATE CODE S/N

www.HARSHANDHAZARDOUS.COM

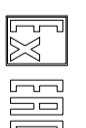
ST. LOUIS, MO 63113

SEE IOM FORM K1466 & K1470 FOR T-CODES AND FOR ELECTRICAL RATINGS.

0539 I12G Ex de IIC T6... T4 GB
0539 I12D Ex tb IIC T85°C... T135°C Db IP66

SAURANGEA
UL LISTED
A243

DEMKO 15 ATEX 1405X
Ex de IIC T6... T4 GB;
Ex tb IIC T85°C... T135°C Db IP66
IEXEX UL 15 0054X
-50°C ≤T85+60°C
-40°C ≤T85+55°C WITH AMMETER)



TR RU C-US.MIO62.B.04167 IEX 16.0079 IMMETRO

DATE CODE S/N

INDUSTRIAL CONTROL EQUIPMENT FOR USE IN ZONE CLASSIFIED HAZ. LOCs,
CLASS I, ZONE 1, AEX de IIC T6... T4 Gb; Ex de IIC T6... T4 GB
ZONE 21, AEX tb IIC T85°C... T135°C Db IP66; Ex tb IIC T85°C... T135°C Db IP66
CLASS I, DIV.2, GRPs. A,B,C,D; CLASS II, DIV.1, GRPs. E,F,G (CANADA ONLY)
CLASS II, DIV.2, GROUPS E,F,G; CLASS III
CLASS III, TYPE 3/4/4X/12/13; -50°C ≤T85+60°C

Harsht & Hazardous

CAT. NO.

HKHMOD Series

DATE CODE S/N

www.HARSHANDHAZARDOUS.COM

ST. LOUIS, MO 63113

SEE IOM FORM K1466 FOR ELECTRICAL RATINGS.

INDUSTRIAL CONTROL EQUIPMENT FOR USE IN ZONE CLASSIFIED HAZ. LOCs,
CLASS I, ZONE 1, AEX de IIC T6... T4 Gb; Ex de IIC T6... T4 GB
ZONE 21, AEX tb IIC T85°C... T135°C Db IP66; Ex tb IIC T85°C... T135°C Db IP66
CLASS I, DIV.2, GRPs. A,B,C,D; CLASS II, DIV.1, GRPs. E,F,G (CANADA ONLY)
CLASS II, DIV.2, GROUPS E,F,G; CLASS III
CLASS III, TYPE 3/4/4X/12/13; -50°C ≤T85+60°C

INDUSTRIAL CONTROL EQUIPMENT FOR USE IN ZONE CLASSIFIED HAZ. LOCs,
CLASS I, ZONE 1, AEX de IIC T6... T4 Gb; Ex de IIC T6... T4 GB
ZONE 21, AEX tb IIC T85°C... T135°C Db IP66; Ex tb IIC T85°C... T135°C Db IP66
CLASS I, DIV.2, GRPs. A,B,C,D; CLASS II, DIV.1, GRPs. E,F,G (CANADA ONLY)
CLASS II, DIV.2, GROUPS E,F,G; CLASS III
CLASS III, TYPE 3/4/4X/12/13; -50°C ≤T85+60°C

SEE IOM FORM K1466 FOR ELECTRICAL RATINGS.

CERTIFICATION NAME PLATES