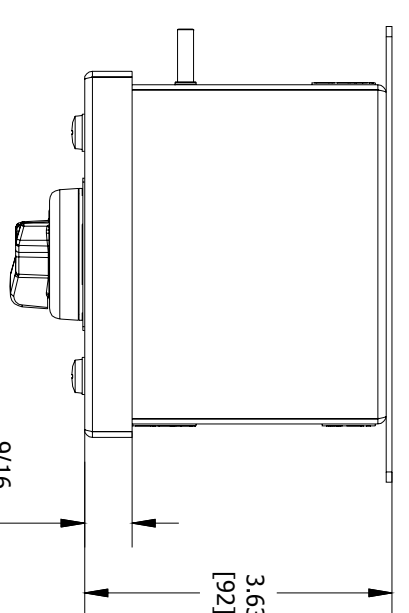


ENCLOSURE INFORMATION	
P/N:	DESCRIPTION:
23830KBAM	BOX SST 1F 1ø, M20 BOTTOM
23803ABAB	COVER SST 1F 1ø, SINGLE DEVICE
23203AAMB	ASSY, DIN RAIL HKH 1 TIER
DEVICE 1 ASSEMBLY (1F)	
P/N:	DESCRIPTION:
HKH2P5MTV	2 POS SEL SWT MAINTAINED CONTACT, VERT
23225ABAB	OFF/ON
NONE	
HKHINO20D	CONTACT BLCK, FACT SEALED N.O. DRM, 20A
HKHINC20D	CONTACT BLCK, FACT SEALED N.C. DRM, 20A

CONTACT BLOCK RATINGS:
690 VAC, 20A, 50-60
60 VDC, 5A, 110VDC, 1.5A

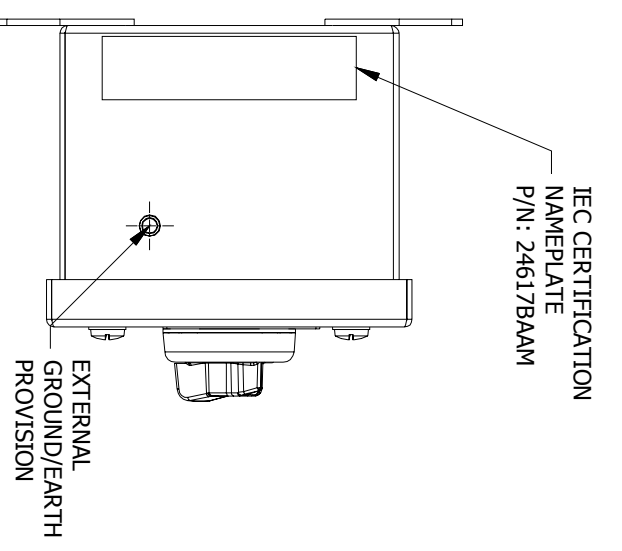
1/2 HP @ 120 VAC, 1 HP @ 208/240/277VAC
NEMA A600/P600 - PILOT DUTY
350VAC, 20A - TUNGSTEN
AC690V 16A AC-12
AC230V 16A AC-15
50-60HZ
DC60V 5A DC-13
TERMINALS RATED FOR 1-2 CONDUCTORS
#22-10 AWG. (0.5-4mm²)



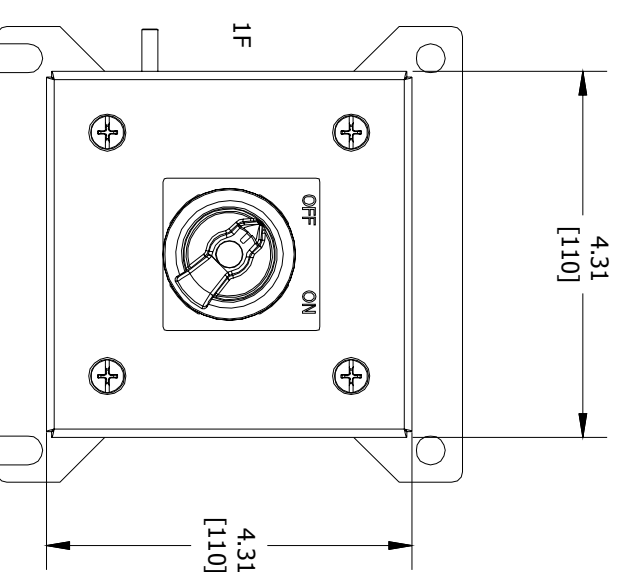
TOP VIEW

	CAT. NO.	HKHMOD Series	DATE CODE-S/N
	Harsh & Hazardous WWW.HARSHANDHAZARDOUS.COM		
	INDUSTRIAL CONTROL EQUIPMENT FOR USE IN ZONE CLASSIFIED HAZ. LOCS. CLASS I, ZONE 1, AEx de IIC T6...T4 Gb; Ex de IIC T6...T4 Gb ZONE 21, AEx tb IIIC T85°C...T135°C Db IP66; Ex tb IIIC T85°C...T135°C Db IP66 CLASS I, DIV.2, GRP5, A,B,C,D; CLASS II, DIV.1, GRP5, E,F,G (CANADA ONLY) CLASS II, DIV.2, GRP5 E,F,G; CLASS III		
	CLASS III: TYPE 3/4/4X/12/13, -50°C ≤T _a ≤+60°C		
	DEMKO 15 ATEX 1405X Ex de IIC T6...T4 Gb; Ex tb IIIC T85°C...T135°C Db IP66 IECEx UL 15.0054X -50°C ≤T _a ≤+60°C		
	(-40°C ≤T _a ≤+55°C WITH AMMETER)		
TR RU C-US-MIO62.B.04167		IEX 16.0079 INMETRO	SEE IOM FORM K1466 FOR ELECTRICAL RATINGS.

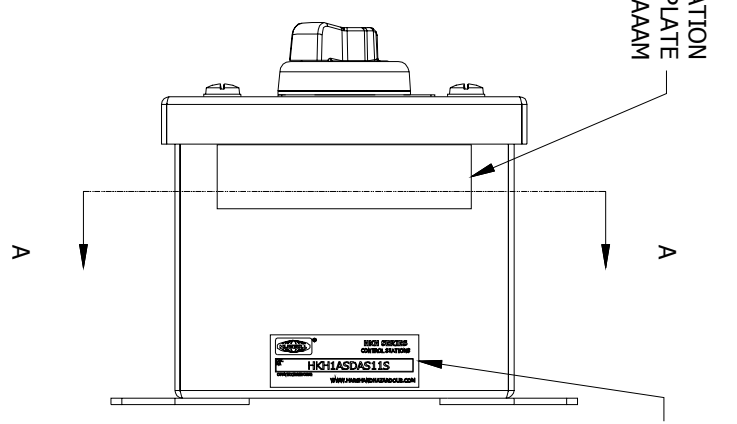
CERTIFICATION NAME PLATES



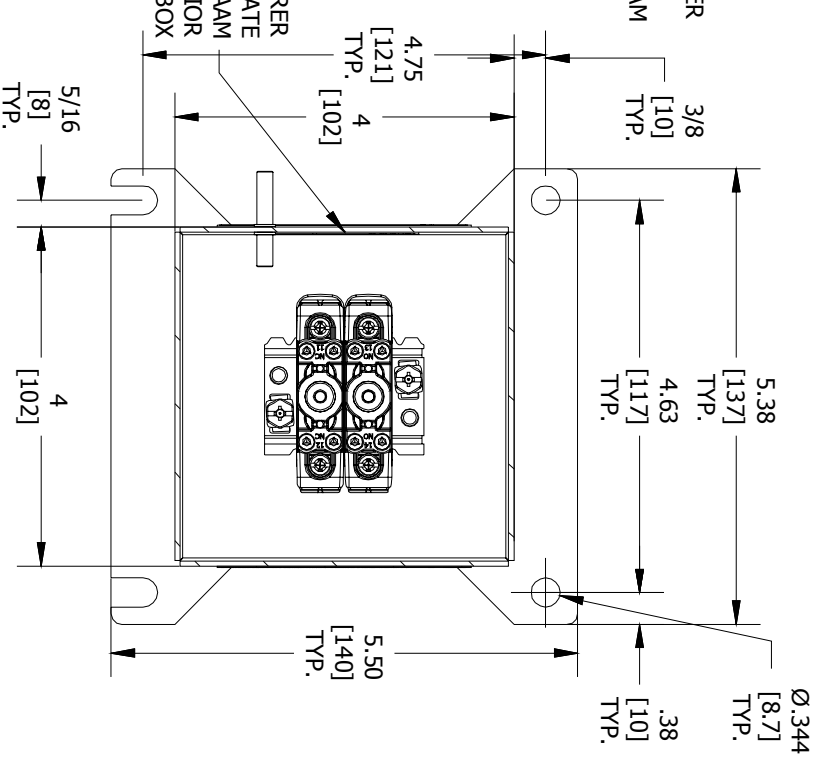
LEFT SIDE VIEW



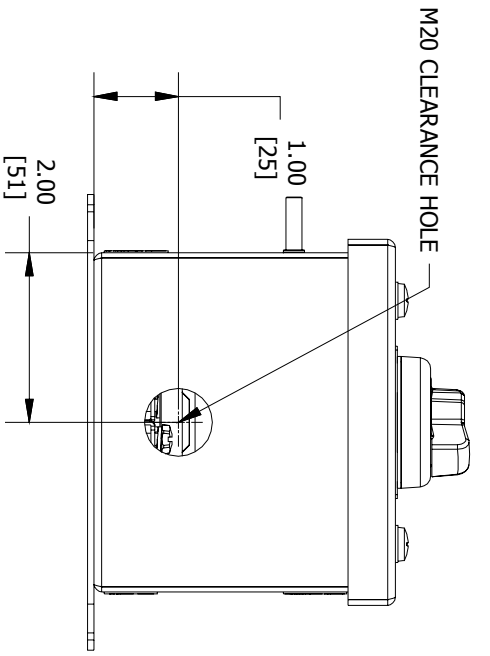
FRONT VIEW



RIGHT SIDE VIEW



SECTION A-A VIEW



BOTTOM VIEW

COMMENT:	SGN:	DATE:	ACCEPTANCE:
			CODE 1: APPROVED (NO COMMENTS) CODE 2: APPROVED FOR MANUFACTURING WITH COMMENTS TO BE INCORPORATED CODE 3: NOT APPROVED RE-SUBMIT CODE 4: FOR INFORMATION ONLY

DRAWN BY:	DATE:	DWG NUMBER:	ITEM:
PR	09-28-2016	HKH1ASDAS11S	N/A
TITLE:	SALES/QUOTE NO.:		
HKH MODIFIED ENCLOSURE (HKH1ASDAS11S)	N/A		

ENTRY HUB/GLAND SELECTION CHART*	
ENTRY NO.	HUB/GLAND:
ENTRY 1	NONE

*HUBS & CABLE GLANDS ARE SHIPPED WITH ENCLOSURE

HKH SERIES
CONTROL STATIONS

CAT. NO. HKH1ASDAS11S
COUNT/DATE CODE

WWW.HARSHANDHAZARDOUS.COM

MFG. NAME PLATE (REF.)

REVISION	3	2	1