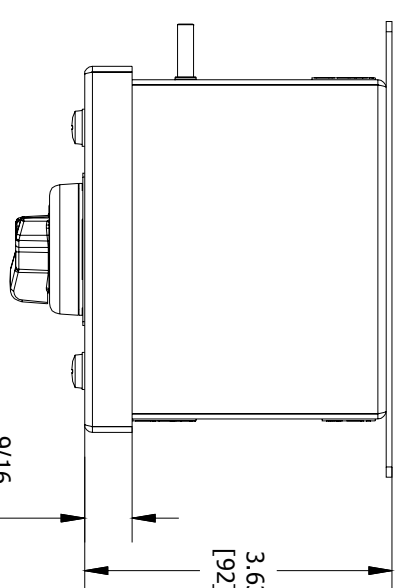


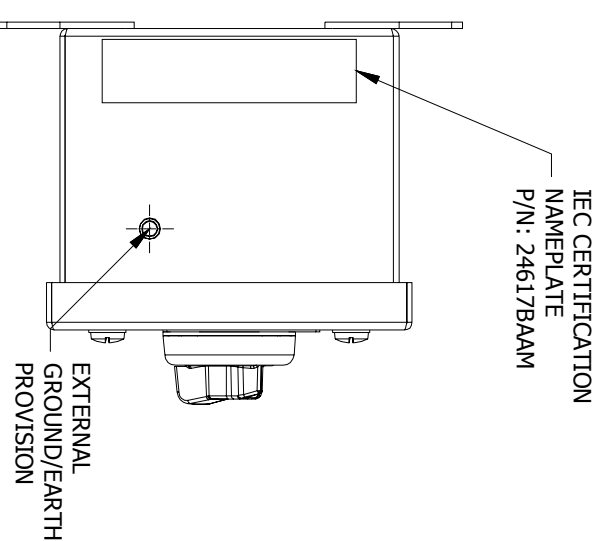
| ENCLOSURE INFORMATION  |   |
|------------------------|---|
| P/N:                   | DESCRIPTION:                            |
| 23830KBAM              | BOX SST 1F 1a, M20 BOTTOM               |
| 23803ABAB              | COVER SST 1F 1a, SINGLE DEVICE          |
| 23203AAMB              | ASSY, DIN RAIL HKH 1 TIER               |
| MOUNT METHOD:          |   |
| DEVICE 1 ASSEMBLY (1F) |   |
| P/N:                   | DESCRIPTION:                            |
| HHKH2PSMMRV            | 2 POS SEL SWT MOMENTARY RIGHT, VERT     |
| 23225AAMB              | Blank                                   |
| LOCKOUT ACY:           |   |
| NONE                   |   |
| CONTACT 1:             |   |
| HKHINO20D              | CONTACT BLCK, FACT SEALED N.O. DRM, 20A |
| HKHINC20D              | CONTACT BLCK, FACT SEALED N.C. DRM, 20A |

CONTACT BLOCK RATINGS:  
690 VAC, 20A, 50-60  
60 VDC, 5A, 110VDC, 1.5A

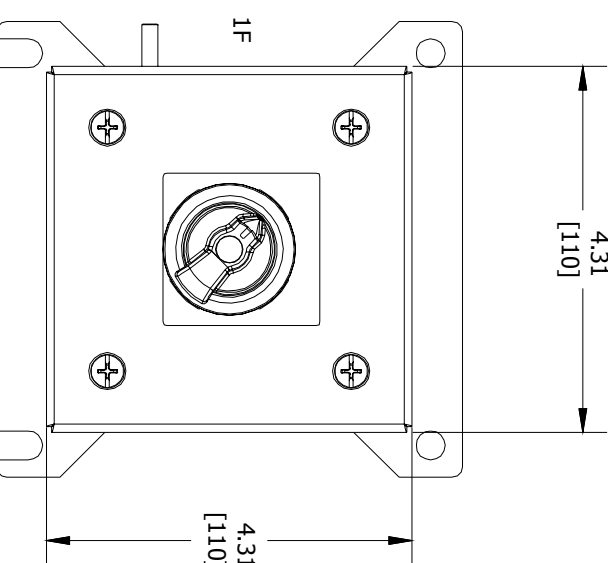
1/2 HP @ 120 VAC, 1 HP @ 208/240/277VAC  
NEMA A600/P600 - PILOT DUTY  
350VAC, 20A - TUNGSTEN  
AC690V 16A AC-12  
AC230V 16A AC-15  
50-60HZ  
DC60V 5A DC-13  
TERMINALS RATED FOR 1-2 CONDUCTORS  
#22-10 AWG. (0.5-4mm<sup>2</sup>)



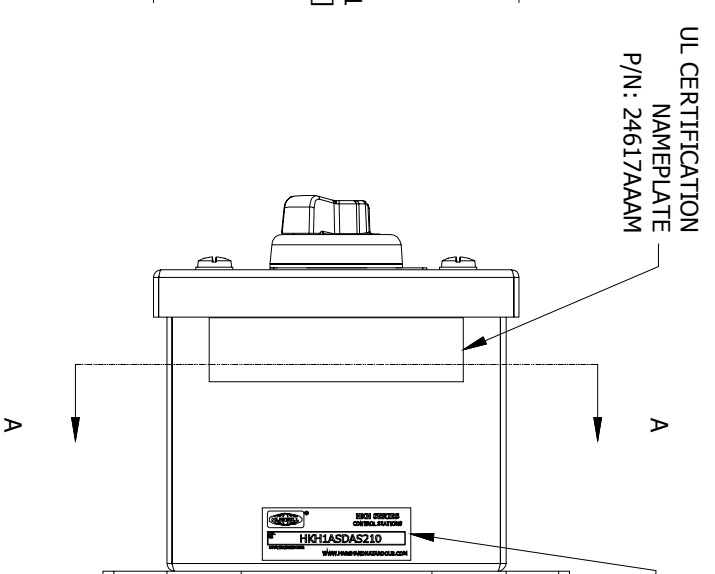
TOP VIEW



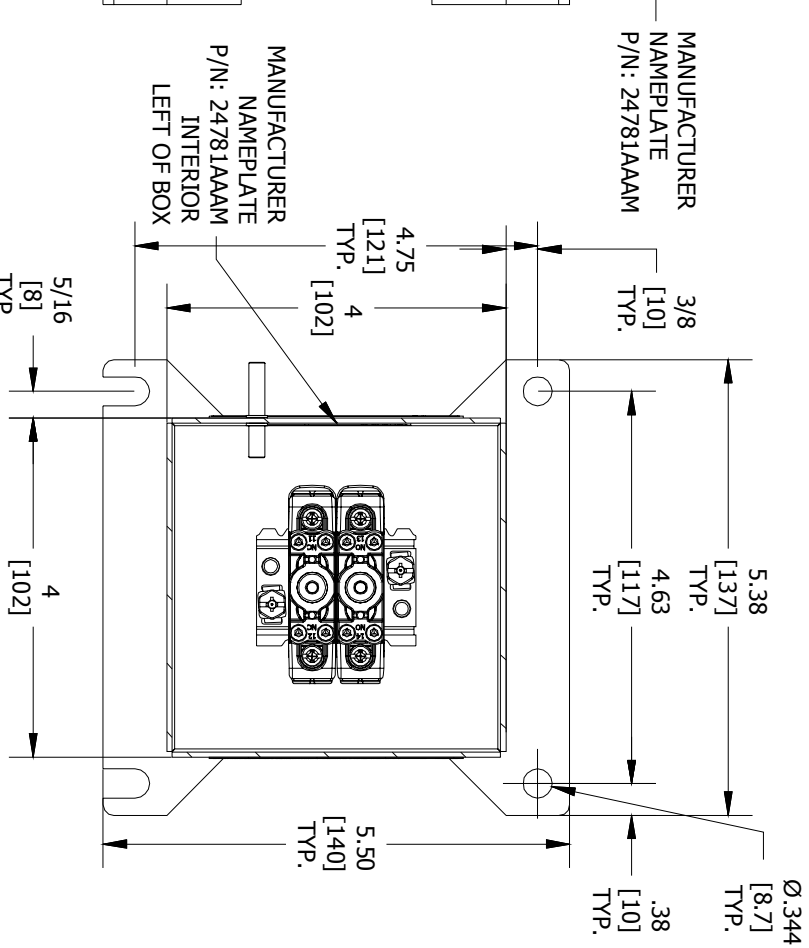
LEFT SIDE VIEW



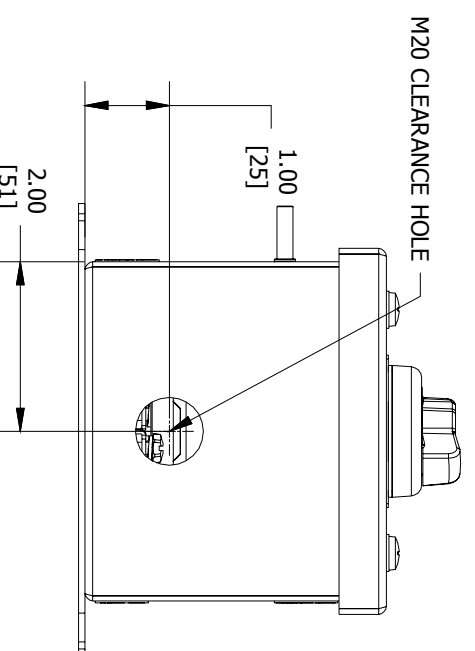
FRONT VIEW



RIGHT SIDE VIEW



SECTION A-A VIEW



BOTTOM VIEW

COMMENT:

ACCEPTANCE:

DRAWN BY:

DATE:

DWG NUMBER:

| ENTRY HUB/GLAND SELECTION CHART* |            |
|----------------------------------|------------|
| ENTRY NO.                        | HUB/GLAND: |
| ENTRY 1                          | NONE       |

\*HUBS & CABLE GLANDS ARE SHIPPED WITH ENCLOSURE

SGN:

DATE:

CODE 1: APPROVED (NO COMMENTS)  
CODE 2: APPROVED FOR MANUFACTURING  
WITH COMMENTS TO BE INCORPORATED  
CODE 3: NOT APPROVED RE-SUBMIT  
CODE 4: FOR INFORMATION ONLY

PR

DATE:

SALES/QUOTE NO.:

ITEM:

MFG. NAME PLATE (REF.)

REVISION



KILLARK

THIS DOCUMENT IS THE PROPERTY OF HUBBELL - KILLARK. IT IS LOANED TO YOU AND MUST NOT BE USED IN ANY WAY DETRIMENTAL TO THE INTEREST HUBBELL - KILLARK.

HKH MODIFIED ENCLOSURE (HKH1ASDAS210)

2

SHEET 1 OF 1

4

3

2

1

A

B

C

D

A

B

C

D

|  |  |  |  |
|--|--|--|--|
|  |  |  |  |
| <b>CAT. NO.</b> HKHMOD Series<br><small>ST. LOUIS, MO 63113</small>  |  | <b>CAT. NO.</b> HKHMOD Series<br><small>ST. LOUIS, MO 63113</small>  |  |
| <small>Harsht &amp; Hazardous</small><br><small>WWW.HARSHANDHAZARDOUS.COM</small>  |  | <small>Harsht &amp; Hazardous</small><br><small>WWW.HARSHANDHAZARDOUS.COM</small>  |  |
| <small>INDUSTRIAL CONTROL EQUIPMENT FOR USE IN ZONE CLASSIFIED HAZ. LOCS.</small><br><small>CLASS I, ZONE 1, AEx de IIC T6...T4 Gb; Ex de IIC T6...T4 Gb</small><br><small>ZONE 21, AEx td IIIC T85°C...T135°C Db IP66; Ex td IIIC T85°C...T135°C Db IP66</small><br><small>CLASS I, DIV.2, GRP5, A,B,C,D; CLASS II, DIV.1, GRP5, E,F,G (CANADA ONLY)</small><br><small>CLASS II, DIV.2, GROUPS E,F,G; CLASS III</small><br><small>CLASS III; TYPE 3/4/4X/12/13; -50°C STAs+60°C</small> |  | <small>DATE CODE-S/N</small><br><small>TR RU C-US-MIO6Z B.0416Z IEX 16.0079 INMETRO</small><br><small>(-40°C STAs+55°C WITH AMMETER)</small> |  |
| <small>SEE IOM FORM K1466 FOR ELECTRICAL RATINGS.</small>  |  | <small>SEE IOM FORM K1466 FOR ELECTRICAL RATINGS.</small>  |  |

CERTIFICATION NAME PLATES