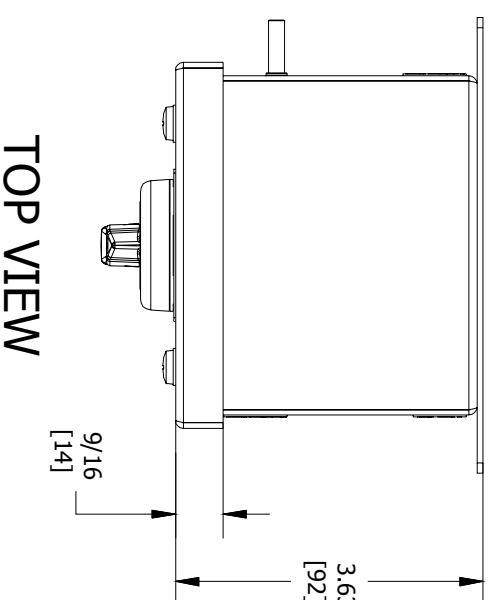


ENCLOSURE INFORMATION	
P/N:	DESCRIPTION:
23830KBAM	BOX SST 1F 1a, M20 BOTTOM
23803ABAB	COVER SST 1F 1a, SINGLE DEVICE
23203AAMB	ASSY, DIN RAIL HKH 1 TIER
MOUNT METHOD:	
	AC690V 16A AC-12
	AC230V 16A AC-15
	50-60HZ
	DC60V 5A DC-13
	TERMINALS RATED FOR 1-2 CONDUCTORS
	#22-10 AWG. (0.5-4mm <sup>2</sup> )
P/N:	DESCRIPTION:
HKH3PSMT1V	3 POS SEL SWT MAINT CONT IND CAM, VERT
LGND. PLATE:	HAND/OFF/AUTO
LOCKOUT ACQY:	N/A
CONTACT 1:	CONTACT BLCK, FACT SEALED N.O. DRW, 20A
CONTACT 2:	CONTACT BLCK, FACT SEALED N.O. DRW, 20A

CONTACT BLOCK RATINGS:  
 690 VAC, 20A, 50-60  
 60 VDC, 5A, 110VDC, 1.5A

1/2 HP @ 120 VAC, 1 HP @ 208/240/277VAC  
 NEMA A600/P600 - PILOT DUTY  
 350VAC, 20A - TUNGSTEN  
 AC690V 16A AC-12  
 AC230V 16A AC-15

DEVICE 1 ASSEMBLY (1F)  
 DC60V 5A DC-13  
 TERMINALS RATED FOR 1-2 CONDUCTORS  
 #22-10 AWG. (0.5-4mm<sup>2</sup>)

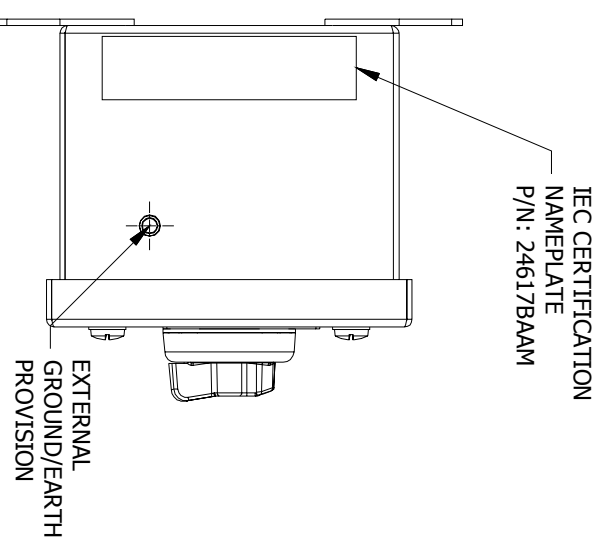


TOP VIEW

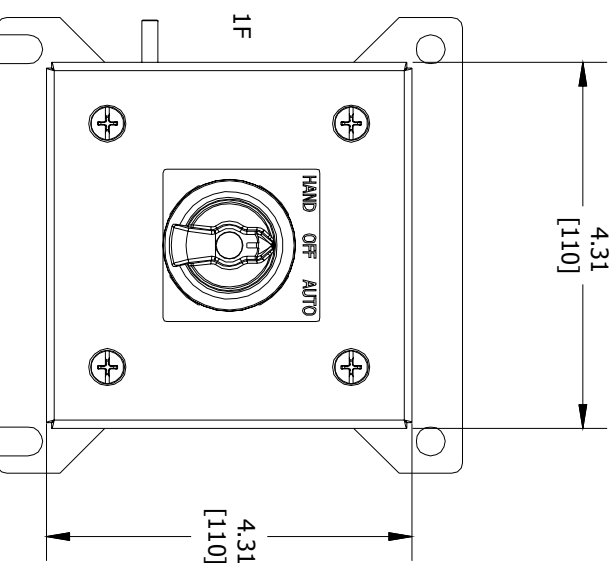
CERTIFICATION NAME PLATES

 Harsit & Hazardous WWW.HARSHANDHAZARDOUS.COM CAT. NO. HKHMOD Series DATE CODE: 5/N	 UL LISTED A243	 IEC 16.0079 INVERTRO	 NEMA FOR 1-CODES AND FOR ELECTRICAL RATINGS.	 UL LISTED A243
---	--------------------------	-----------------------------	---	--------------------------

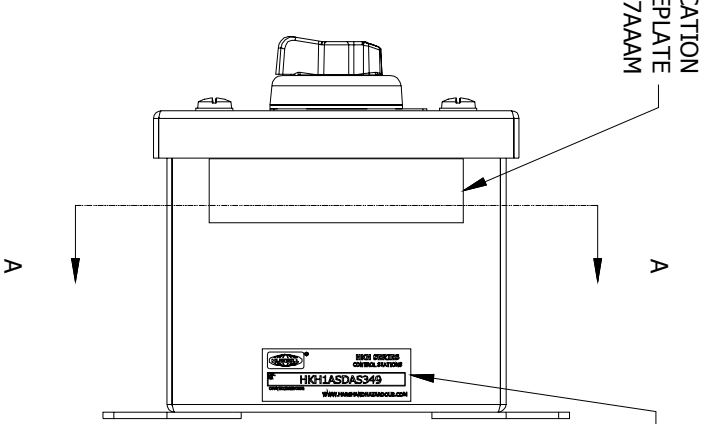
INDUSTRIAL CONTROL EQUIPMENT FOR USE IN ZONE CLASSIFIED HAZ. LOCs.  
 CLASS I, ZONE 1, AEX de IIC T6...T4 Gb; Ex de IIC T6...T4 Gb  
 CLASS II, DIV.2, GRPS. A,B,C,D; CLASS II, DIV.1, GRPS. E,F,G (CANADA ONLY)  
 CLASS III, TYPE 3/4/4X/12/13, -50°C STAs+60°C  
 SEE IOM FORM K1466 FOR ELECTRICAL RATINGS.



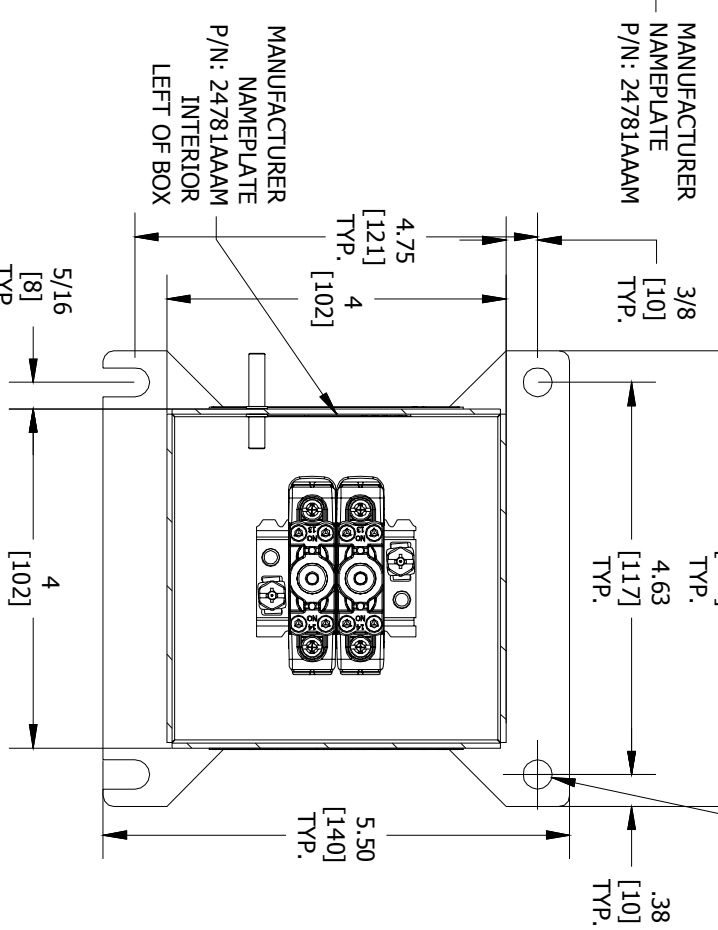
LEFT SIDE VIEW



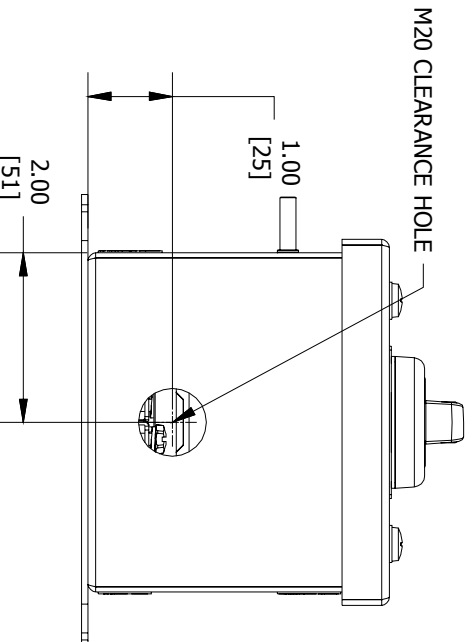
FRONT VIEW



RIGHT SIDE VIEW



SECTION A-A VIEW



BOTTOM VIEW



MFG. NAME PLATE (REF.)

COMMENT:

SGN:

DATE:

ACCEPTANCE:

DRAWN BY:

DATE:

DWG NUMBER:

HUB/GLAND:

ITEM:

CODE 1: APPROVED (NO COMMENTS)

CODE 2: APPROVED FOR MANUFACTURING

CODE 3: NOT APPROVED RE-SUBMIT

CODE 4: FOR INFORMATION ONLY

PR

09-28-2016

SALES/QUOTE NO.:

N/A

N/A

REVISION



KILLARK

THIS DOCUMENT IS THE PROPERTY OF HUBBEL - KILLARK. IT IS LOANED TO YOU AND MUST NOT BE USED IN ANY WAY DETRIMENTAL TO THE INTEREST HUBBEL - KILLARK.

HKH MODIFIED ENCLOSURE (HKH1ASDAS349)

2

1

SHEET 1 OF 1

A