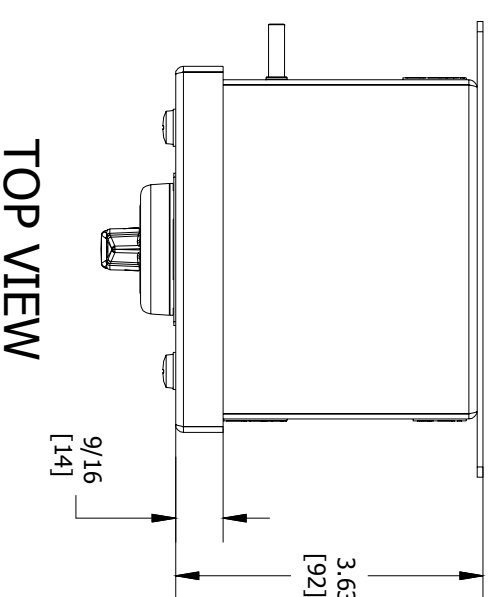


ENCLOSURE INFORMATION	
P/N:	DESCRIPTION:
23830KBAM	BOX SST 1F 1a, M20 BOTTOM
23803ABAB	COVER SST 1F 1a, SINGLE DEVICE
23203AAMB	ASSY, DIN RAIL HKH 1 TIER
MOUNT METHOD:	
	AC690V 16A AC-12
	AC230V 16A AC-15
	50-60HZ
	DC60V 5A DC-13
	TERMINALS RATED FOR 1-2 CONDUCTORS
	#22-10 AWG. (0.5-4mm <sup>2</sup> )
P/N:	DESCRIPTION:
HKH3PSMRY	3 POS SEL SWT MAINT L/T/CTR, MOM RT, VERT
23225AAMB	Blank
LOCKOUT ACQY:	N/A
CONTACT 1:	CONTACT BLCK, FACT SEALED N.O. DRW, 20A
CONTACT 2:	CONTACT BLCK, FACT SEALED N.O. DRW, 20A

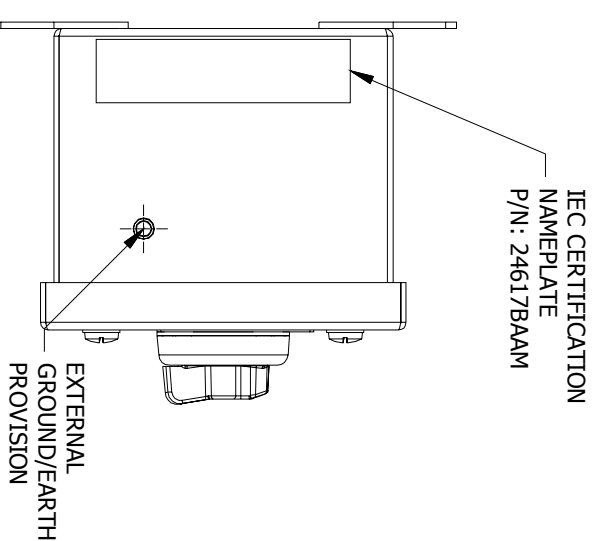
CONTACT BLOCK RATINGS:  
690 VAC, 20A, 50-60  
60 VDC, 5A, 110VDC, 1.5A

1/2 HP @ 120 VAC, 1 HP @ 208/240/277VAC  
NEMA A600/P600 - PILOT DUTY  
350VAC, 20A - TUNGSTEN  
AC690V 16A AC-12  
AC230V 16A AC-15

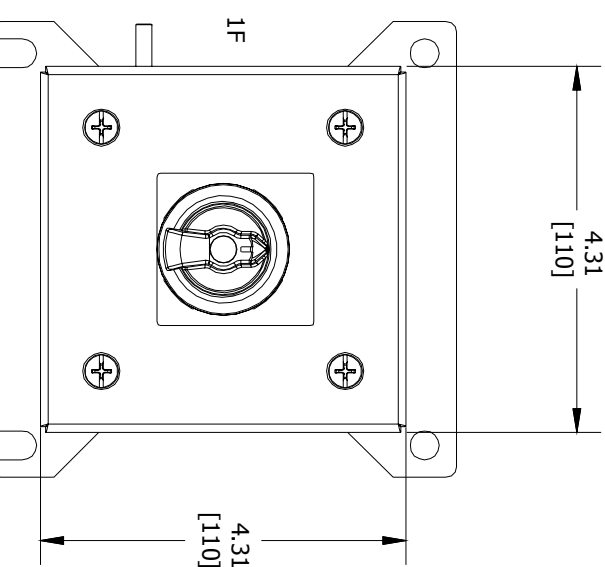
TERMINALS RATED FOR 1-2 CONDUCTORS  
#22-10 AWG. (0.5-4mm<sup>2</sup>)



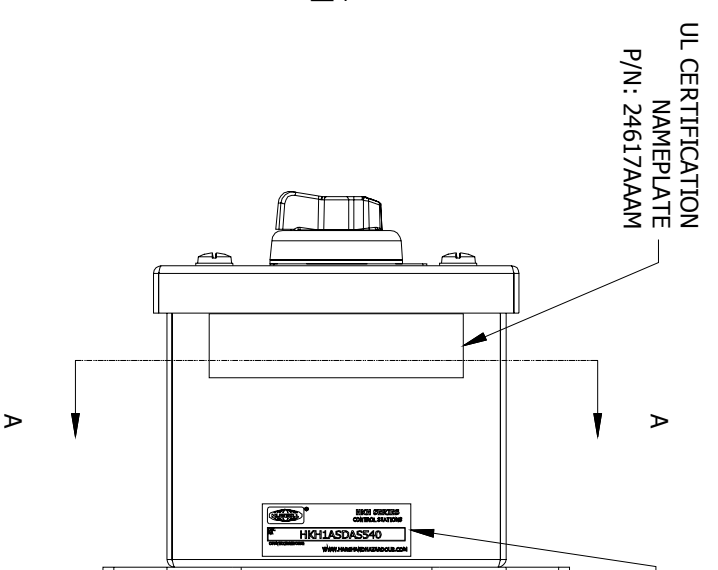
TOP VIEW



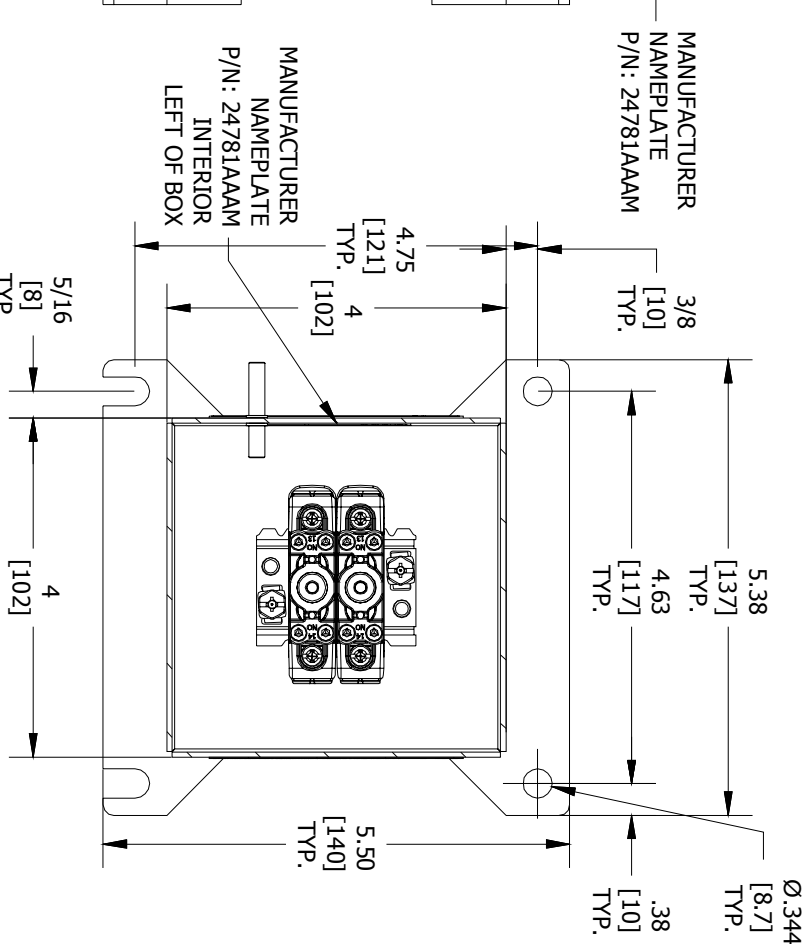
LEFT SIDE VIEW



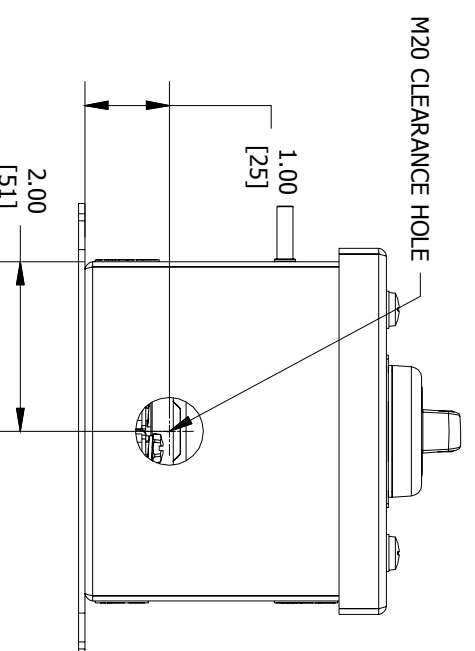
FRONT VIEW



RIGHT SIDE VIEW



SECTION A-A VIEW



BOTTOM VIEW

COMMENT: ACCEPTANCE:

SGN: DATE:

CODE 1: APPROVED (NO COMMENTS)

CODE 2: APPROVED FOR MANUFACTURING WITH COMMENTS TO BE INCORPORATED

CODE 3: NOT APPROVED RE-SUBMIT

CODE 4: FOR INFORMATION ONLY

DRAWN BY:

DATE:

PR

09-30-2016

TITLE:

SALES/QUOTE NO.:

HKH MODIFIED ENCLOSURE (HKH1ASDASS40)

ENTRY HUB/GLAND SELECTION CHART\*

ENTRY NO.	HUB/GLAND:
ENTRY 1	NONE

\*HUBS & CABLE GLANDS ARE SHIPPED WITH ENCLOSURE

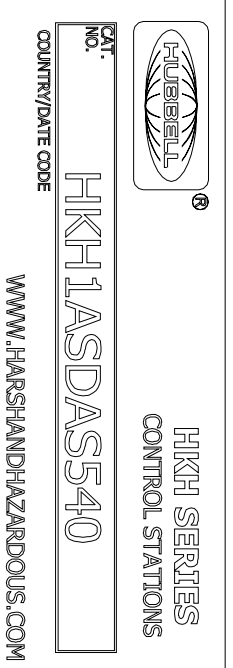
DWG NUMBER:

ITEM:

HKH1ASDASS40

N/A

A



MFG. NAME PLATE (REF.)

4

A

REVISION



KILLARK

THIS DOCUMENT IS THE PROPERTY OF HUBBELL - KILLARK. IT IS LOANED TO YOU AND MUST NOT BE USED IN ANY WAY DETRIMENTAL TO THE INTEREST HUBBELL - KILLARK.

3

2

1

4

3

2

1

D

 <b>HKHMOD Series</b> CAT. NO. HKHMOD Series DATE CODE 5/N	Harsht & Hazardous www.harsmandhazardous.com ST. LOUIS, MO 63113	SEE IOM FORM K1466 & K1470 FOR 1-CODES AND FOR ELECTRICAL RATINGS.	 LISTED A243
INDUSTRIAL CONTROL EQUIPMENT FOR USE IN ZONE CLASSIFIED HAZ. LOCs. CLASS I, ZONE 1, AEx de IIC T6...T4 Gb; Ex de IIC T6...T4 Gb ZONE 21, AEx tb IIIC T85°C...T135°C Db IP66; Ex tb IIIC T85°C...T135°C Db IP66 CLASS I, DIV.2, GRPS. A, B, C, D; CLASS II, DIV.1, GRPS. E, F, G (CANADA ONLY) CLASS II, DIV.2, GROUPS E, F, G; CLASS III CLASS III: TYPE 3/4/4X/12/13; -50°C STa≤+60°C	TR RU C-US; M1062.B.04167 IEX 16.0079 INVERTRO	SECURITY 	DATE CODE 5/N

CERTIFICATION NAME PLATES

SEE IOM FORM K1466 FOR ELECTRICAL RATINGS.

C



B

B

A