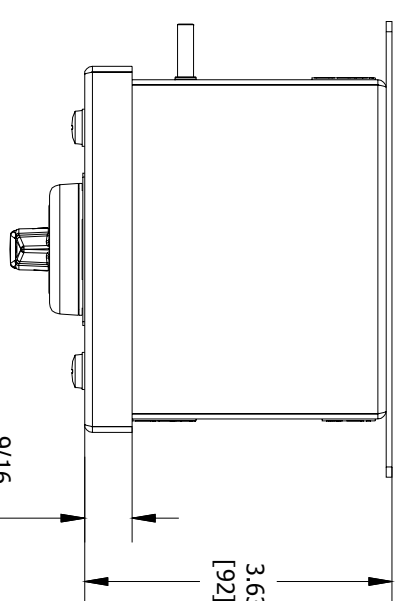


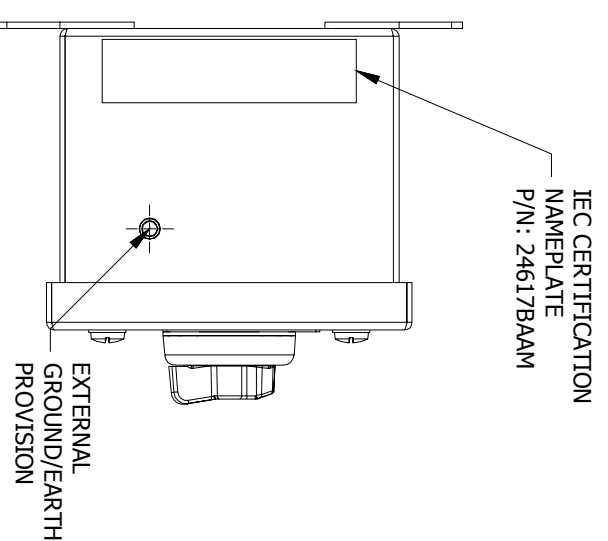
ENCLOSURE INFORMATION	
P/N:	DESCRIPTION:
23830KBAM	BOX SST 1F 1a, M20 BOTTOM
23803ABAB	COVER SST 1F 1a, SINGLE DEVICE
23203AAMB	ASSY, DIN RAIL HKH 1 TIER
MOUNT METHOD:	
	ASSY, DIN RAIL HKH 1 TIER
DEVICE 1 ASSEMBLY (1F)	
P/N:	DESCRIPTION:
HKH3PSM1LV	3 POS SEL SWT MOM LT, MAINT CTR/RT, VERT
LGND. PLATE:	Blank
LOCKOUT ACV:	N/A
CONTACT 1:	CONTACT BLCK, FACT SEALED N.O. DRW, 20A
CONTACT 2:	CONTACT BLCK, FACT SEALED N.O. DRW, 20A

CONTACT BLOCK RATINGS:
 690 VAC, 20A, 50-60
 60 VDC, 5A, 110VDC, 1.5A

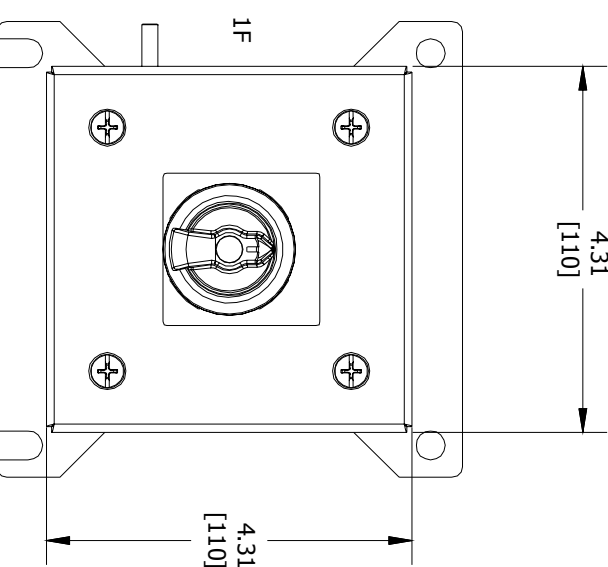
1/2 HP @ 120 VAC, 1 HP @ 208/240/277VAC
 NEMA A600/P600 - PILOT DUTY
 350VAC, 20A - TUNGSTEN
 AC690V 16A AC-12
 AC230V 16A AC-15
 50-60HZ
 DC60V 5A DC-13
 TERMINALS RATED FOR 1-2 CONDUCTORS
 #22-10 AWG. (0.5-4mm²)



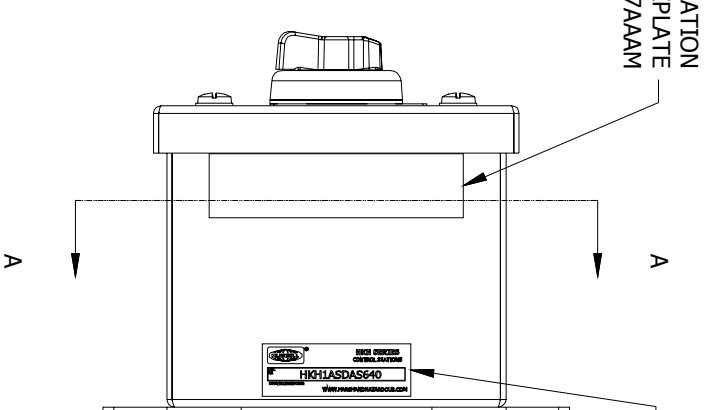
TOP VIEW



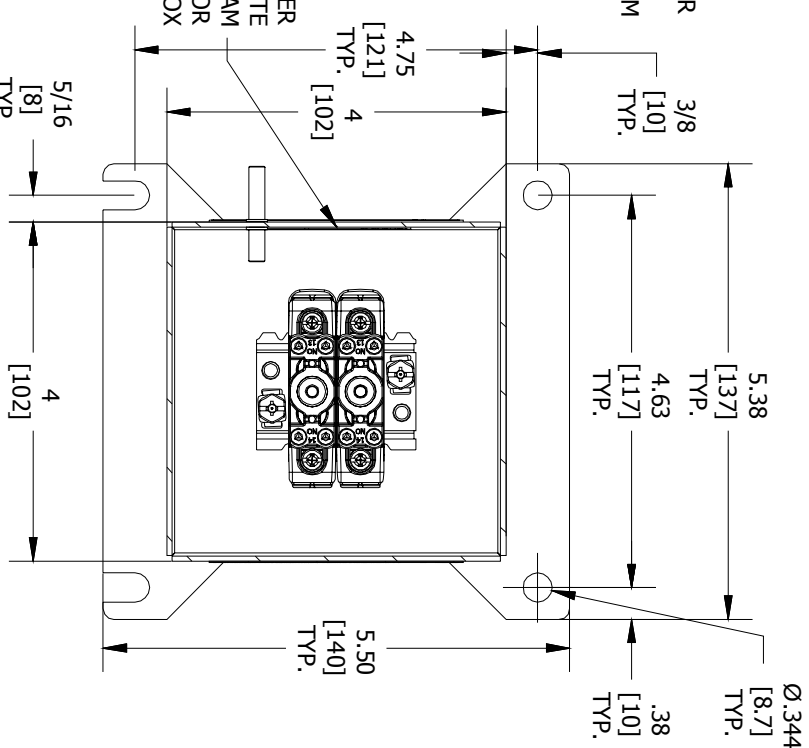
LEFT SIDE VIEW



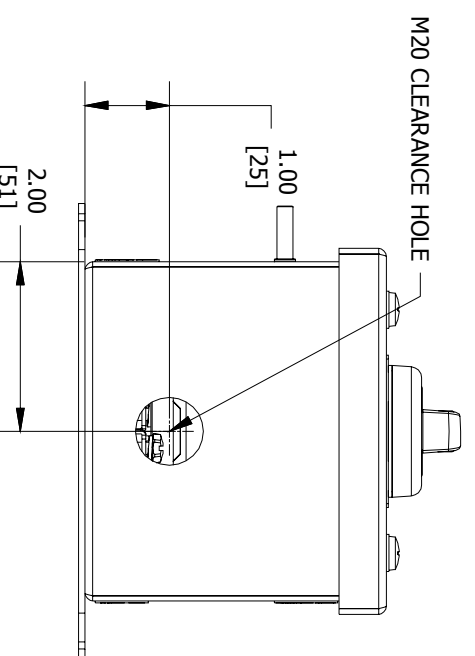
FRONT VIEW



RIGHT SIDE VIEW



SECTION A-A VIEW



BOTTOM VIEW

COMMENT: ACCEPTANCE:

SGN: DATE:

DATE:

DWG NUMBER:

CODE 1: APPROVED (NO COMMENTS)
 CODE 2: APPROVED FOR MANUFACTURING
 WITH COMMENTS TO BE INCORPORATED
 CODE 3: NOT APPROVED RE-SUBMIT
 CODE 4: FOR INFORMATION ONLY

DRAWN BY:

DATE:

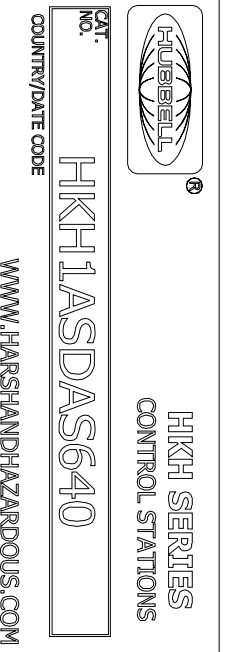
SALES/QUOTE NO.:

TITLE:

DATE:

ITEM:

MFG. NAME PLATE (REF.)



REVISION



KILLARK

THIS DOCUMENT IS THE PROPERTY OF HUBBELL - KILLARK. IT IS LOANED TO YOU AND MUST NOT BE USED IN ANY WAY DETRIMENTAL TO THE INTEREST HUBBELL - KILLARK.

HKH MODIFIED ENCLOSURE (HKH1ASDAS640)

DATE:

ITEM:

SHEET 1 OF 1

4

3

2

1

D

D

C

C

B

B

A

A

4

3

2

1

ENTRY HUB/GLAND SELECTION CHART*

ENTRY NO.	HUB/GLAND:
ENTRY 1	NONE

*HUBS & CABLE GLANDS ARE SHIPPED WITH ENCLOSURE

COMMENT: ACCEPTANCE:

SGN: DATE:

DATE:

DWG NUMBER:

CODE 1: APPROVED (NO COMMENTS)
 CODE 2: APPROVED FOR MANUFACTURING
 WITH COMMENTS TO BE INCORPORATED
 CODE 3: NOT APPROVED RE-SUBMIT
 CODE 4: FOR INFORMATION ONLY

DRAWN BY:

DATE:

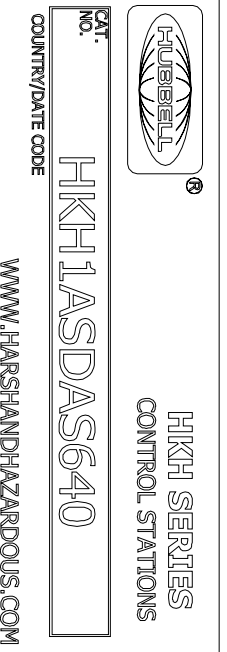
SALES/QUOTE NO.:

TITLE:

DATE:

ITEM:

MFG. NAME PLATE (REF.)



REVISION



KILLARK

THIS DOCUMENT IS THE PROPERTY OF HUBBELL - KILLARK. IT IS LOANED TO YOU AND MUST NOT BE USED IN ANY WAY DETRIMENTAL TO THE INTEREST HUBBELL - KILLARK.

HKH MODIFIED ENCLOSURE (HKH1ASDAS640)

DATE:

ITEM:

SHEET 1 OF 1