

4

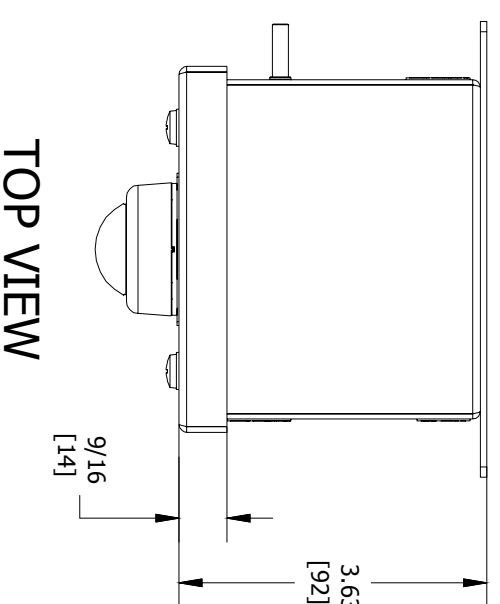
3

2

1

ENCLOSURE INFORMATION	
P/N:	DESCRIPTION:
23830CBAM	BOX SST 1F 1a, 3/4 NPT BOTTOM
23803ABAB	COVER SST 1F 1a, SINGLE DEVICE
HKHPRBRKT	HKH PANEL MOUNT BRACKET, C. B. & P. L. (1 PL.)
MOUNT METHOD:	
DEVICE 1 ASSEMBLY (1F)	
P/N:	DESCRIPTION:
HKHPLR	PILOT LIGHT RED LENS ASSEMBLY
LGND. PLATE:	Blank
LOCKOUT ACQY:	N/A
CONTACT 1:	PILOT LIGHT MOD,PM

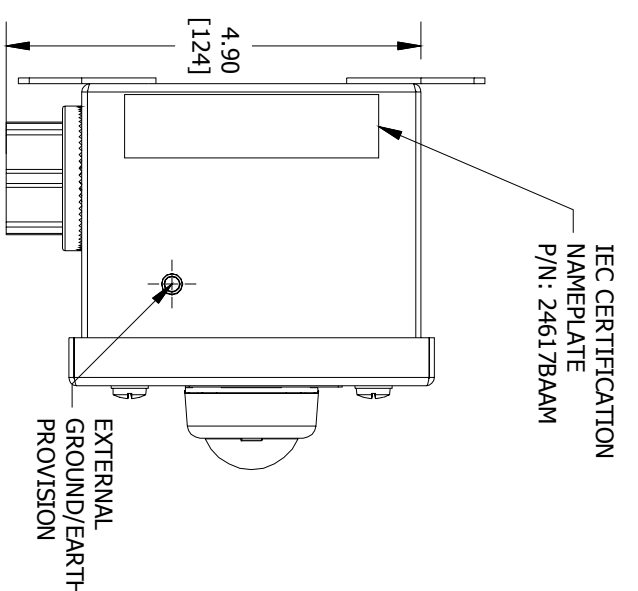
PILOT LIGHT RATINGS:
 LIGHT EMITTING DIODE
 12-254 VAC/DC LED
 0.6WTERMINALS RATED FOR 1-2 CONDUCTORS
 #22-10 AWG. (0.5-4mm²)



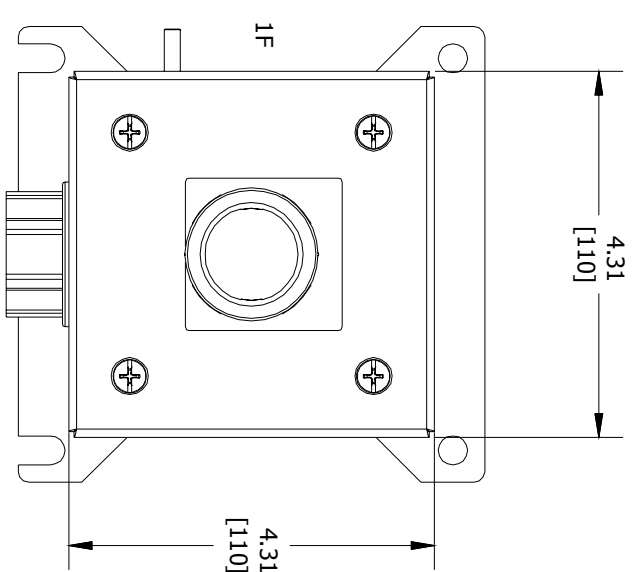
TOP VIEW

CERTIFICATION NAME PLATES

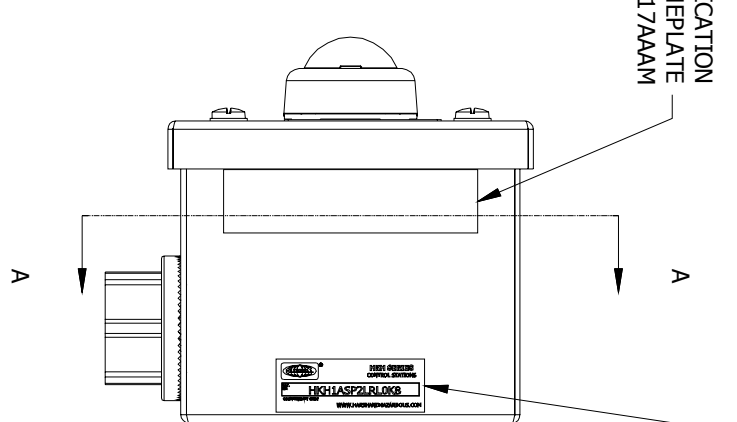
 Harsh & Hazardous www.HARSHANDHAZARDOUS.COM	CAT. NO. NO. HKHMOD Series DATE CODE-S/N
	INDUSTRIAL CONTROL EQUIPMENT FOR USE IN ZONE CLASSIFIED HAZ. LOCS. CLASS I, ZONE 1, AEx de IIC T6...T4 Gb; Ex de IIC T6...T4 Gb ZONE 21, AEx tb IIIC T85°C...T135°C Db IP66; Ex tb IIIC T85°C...T135°C Db IP66 CLASS I, DIV.2, GRP5, A,B,C,D; CLASS II, DIV.1, GRP5, E,F,G (CANADA ONLY) CLASS II, DIV.2, GROUPS E,F,G; CLASS III, TYPE 3/4/4X/12/13, -50°C STAs+60°C SEE IOM FORM K1466 FOR ELECTRICAL RATINGS.
 UL CERTIFICATION NAMEPLATE P/N: 24617BAAM	 UL CERTIFICATION NAMEPLATE P/N: 24617BAAM
 UL CERTIFICATION NAMEPLATE P/N: 24781AAAM	 UL CERTIFICATION NAMEPLATE P/N: 24781AAAM



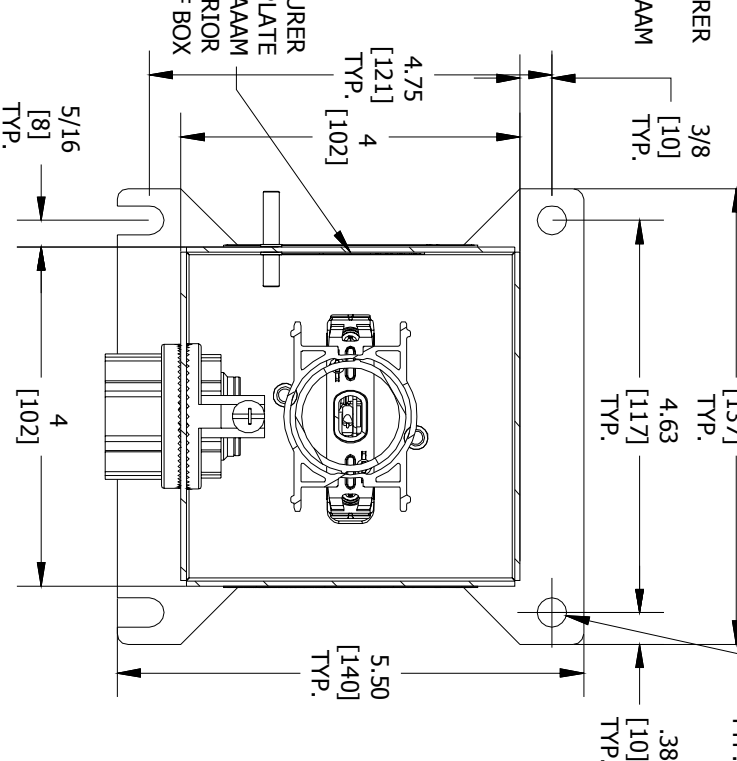
LEFT SIDE VIEW



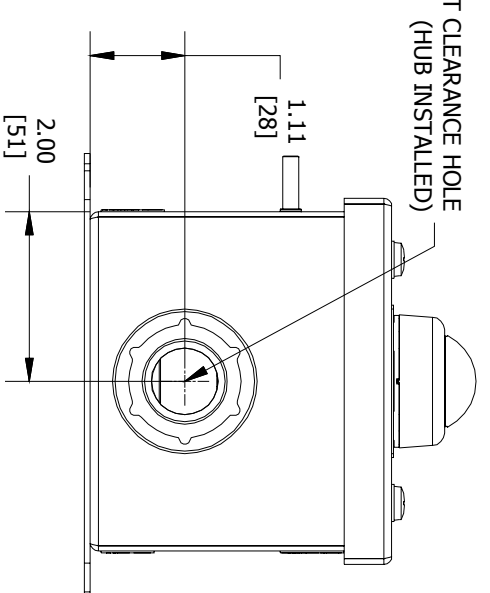
FRONT VIEW



RIGHT SIDE VIEW



SECTION A-A VIEW



BOTTOM VIEW

COMMENT:	SGN:	DATE:	ACCEPTANCE:
CODE 1: APPROVED (NO COMMENTS)			
CODE 2: APPROVED FOR MANUFACTURING WITH COMMENTS TO BE INCORPORATED			
CODE 3: NOT APPROVED RE-SUBMIT			
CODE 4: FOR INFORMATION ONLY			

DRAWN BY:	DATE:	DWG NUMBER:	ITEM:
PR	09-23-2016	HKH1ASP2LRL0K8	N/A
TITLE:	SALES/QUOTE NO.:	ENTRY HUB/GLAND SELECTION CHART*	
HKH MODIFIED ENCLOSURE (HKH1ASP2LRL0K8)	N/A	ENTRY NO.	HUB/GLAND:
		ENTRY 1	K8: WH-2SSG
		*HUBS & CABLE GLANDS ARE SHIPPED WITH ENCLOSURE	

HKH SERIES
CONTROL STATIONS

CAT. NO. **HKH1ASP2LRL0K8**

COUNT/DATE CODE

www.HARSHANDHAZARDOUS.COM

MFG. NAME PLATE (REF.)

4

3

2

1

REVISION	3	REVISION	2
A		A	