

4

3

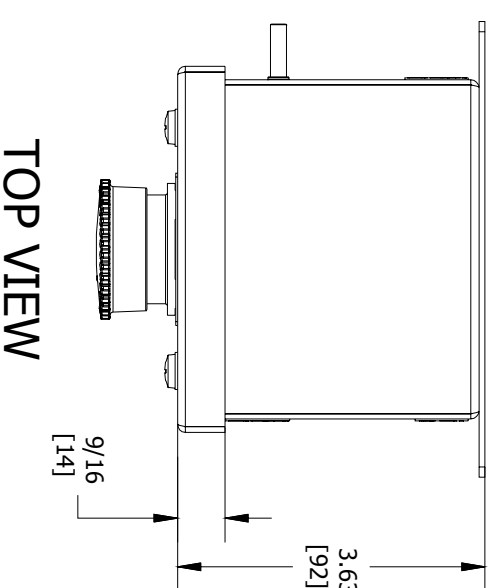
2

1

ENCLOSURE INFORMATION	
P/N:	DESCRIPTION:
23830CBAM	BOX SST 1F 1ø, 3/4 NPT BOTTOM
COVER:	COVER SST 1F 1ø, SINGLE DEVICE
23803ABAB	NEMA A600/P600 - PILOT DUTY
MOUNT METHOD:	HKH PANEL MOUNT BRACKET, C. B. & P. L. (1 PL.)
HKHPMBRKT	AC690V 16ø AC-12
	AC230V 16ø AC-15
	50-60HZ
	DC60V 5A DC-13
	TERMINALS RATED FOR 1-2 CONDUCTORS
	#22-10 AWG. (0.5-4mm ²)

CONTACT BLOCK RATINGS:
 690 VAC, 20ø, 50-60
 60 VDC, 5ø, 110VDC, 1.5ø

1/2 HP @ 120 VAC, 1 HP @ 208/240/277VAC
 NEMA A600/P600 - PILOT DUTY
 350VAC, 20ø - TUNGSSTEN
 AC690V 16ø AC-12
 AC230V 16ø AC-15
 50-60HZ
 DC60V 5A DC-13
 TERMINALS RATED FOR 1-2 CONDUCTORS
 #22-10 AWG. (0.5-4mm²)

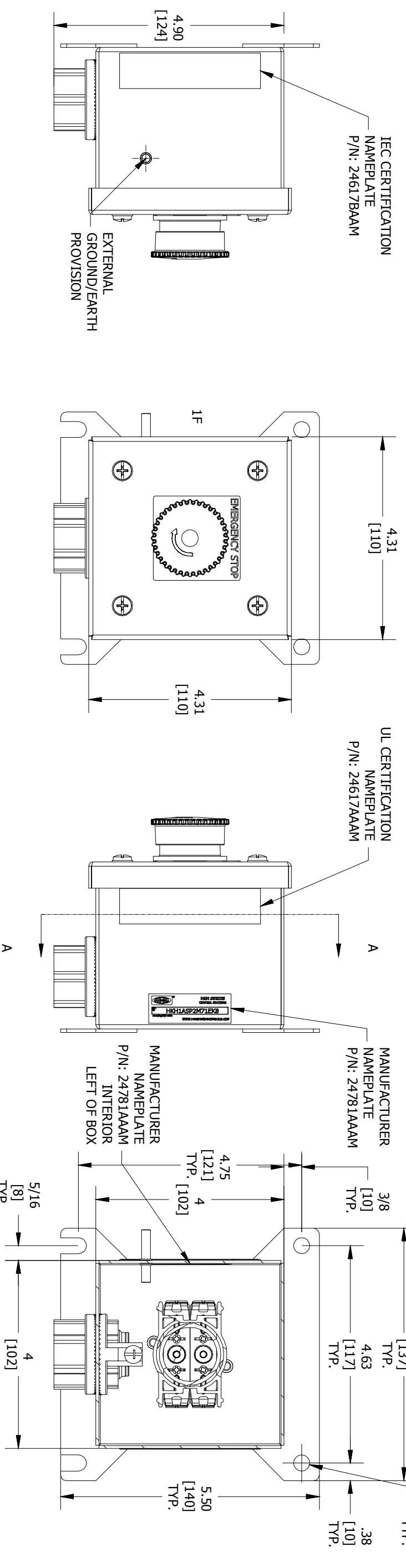


TOP VIEW

 Harsh & Hazardous www.harsmandhazardous.com	CAT. NO. HKHMOD Series	DATE CODE 5/N ST. LOUIS, MO 63113
	SEE IOM FORM K1466 & K1470 FOR T-CODES AND FOR ELECTRICAL RATINGS.	TR RU C-US, M1062, B.04167 IEX 16.0079 INVERTRO

INDUSTRIAL CONTROL EQUIPMENT FOR USE IN ZONE CLASSIFIED HAZ. LOC'S.
 CLASS I, ZONE 1, AEX de IIC T6...T4 Gb; Ex de IIC T6...T4 Gb
 CLASS I, AEX de IIC T6...T4 Gb; Ex de IIC T6...T4 Gb
 ZONE 21, AEX de IIC T85°C...T135°C Db IP66; Ex db IIC T85°C...T135°C Db IP66
 CLASS I, DIV.2, GRPS. A, B, C, D; CLASS II, DIV.1, GRPS. E, F, G (CANADA ONLY)
 CLASS II, DIV.2, GROUPS E, F, G; CLASS III
 CLASS III; TYPE 3/4/4X/12/13; -50°C STAs+60°C
 SEE IOM FORM K1466 FOR ELECTRICAL RATINGS.

CERTIFICATION NAME PLATES

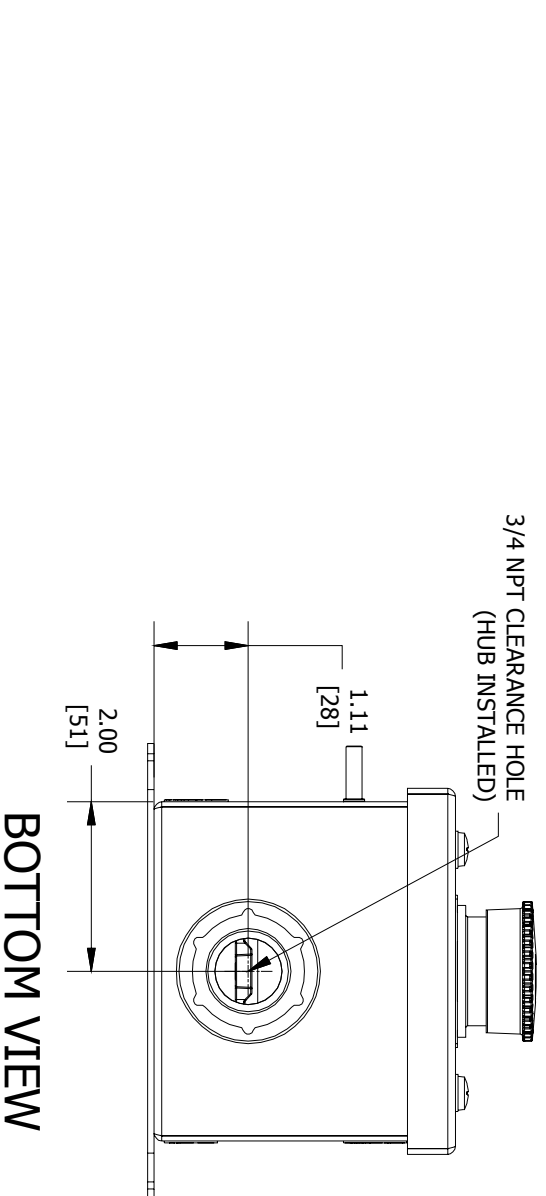


LEFT SIDE VIEW

FRONT VIEW

RIGHT SIDE VIEW

SECTION A-A VIEW



BOTTOM VIEW

COMMENT: SGN: DATE: ACCEPTANCE:

CODE 1: APPROVED (NO COMMENTS)
 CODE 2: APPROVED FOR MANUFACTURING WITH COMMENTS TO BE INCORPORATED
 CODE 3: NOT APPROVED RE-SUBMIT
 CODE 4: FOR INFORMATION ONLY

DRAWN BY: DATE: DWG NUMBER: HKH1ASP2M71EK8

TITLE: HKH MODIFIED ENCLOSURE (HKH1ASP2M71EK8)

REVISION: KILLARK

REVISION: KILLARK

ENTRY NO.	HUB/GLAND:
ENTRY 1	K8: WH-2SSG

*HUBS & CABLE GLANDS ARE SHIPPED WITH ENCLOSURE

SALES/QUOTE NO.: N/A

ITEM: N/A

SHEET 1 OF 1

HKH SERIES CONTROL STATIONS

NO. HKH1ASP2M71EK8

COUNT/DATE CODE

WWW.HARSHANDHAZARDOUS.COM

MFG. NAME PLATE (REF.)

A

B

C

D

A

B

C

D